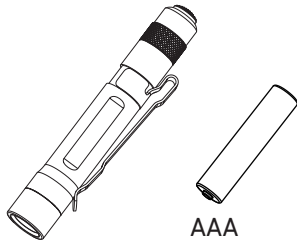
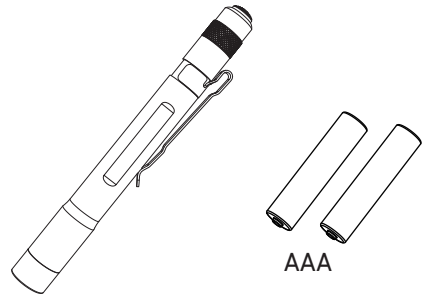


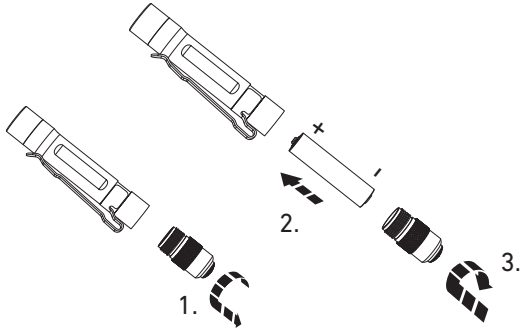
ST2



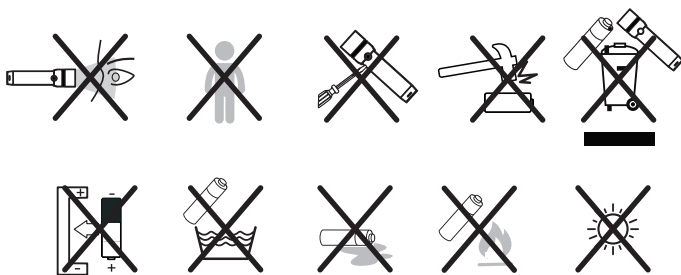
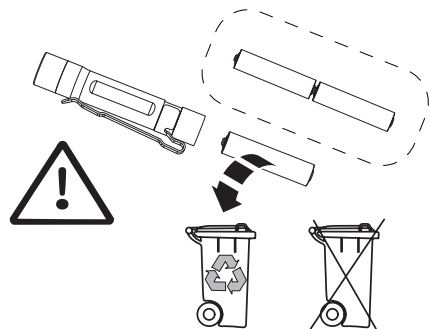
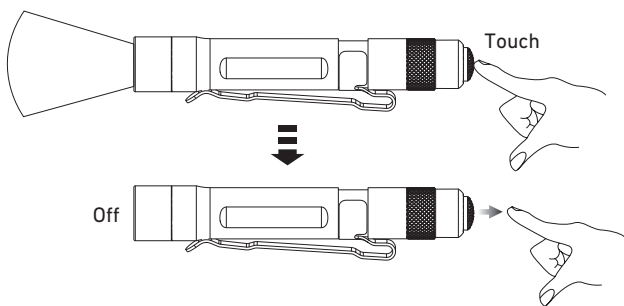
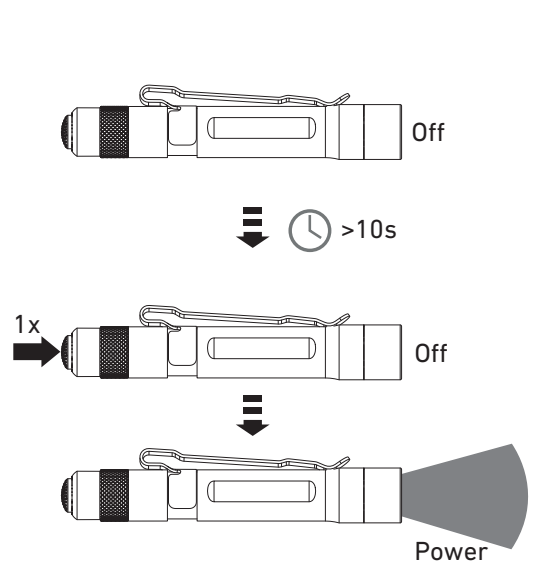
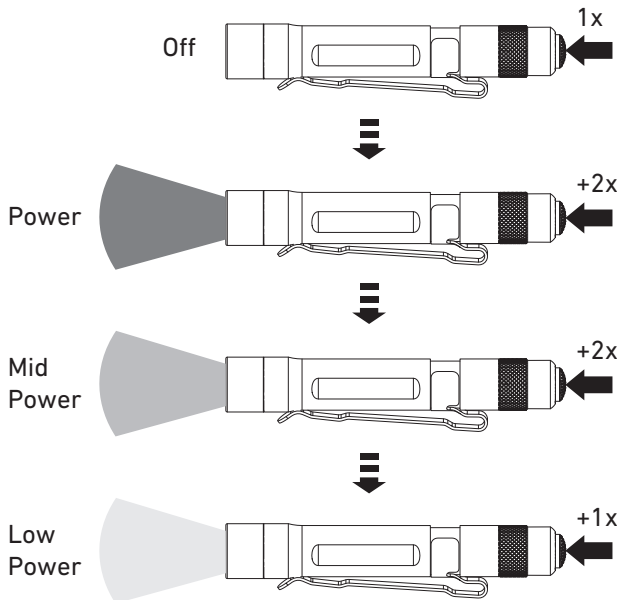
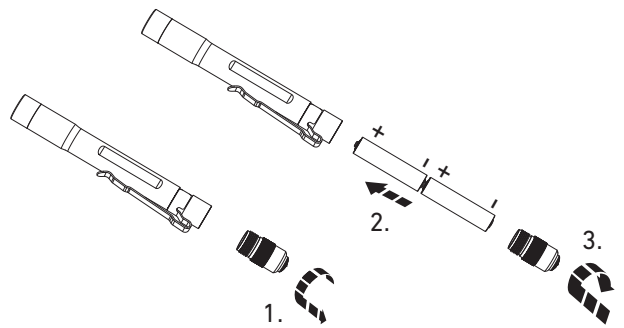
ST4



ST2



ST4



**Ledlenser GmbH & Co. KG**  
 Kronenstr. 5-7 • 42699 Solingen • Germany  
 Phone +49 212/5948-0 Fax +49 212/5948-200  
 info@ledlenser.com



ledlenser.com



ST2/ST4\_V.01  
 12.12.2019  
 1J12A0351