



Paulmann

Safety Instructions

1, 2, 3, 4, 5, 6, 10, 11, 13, 14, 19, 22, 23, 24, 25, 26, 33, 34



Info

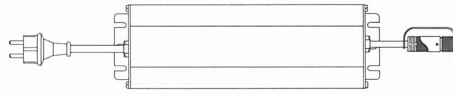
www.paulmann.com

Paulmann Licht GmbH
Quezinger Feld 2
31832 Springe
Germany

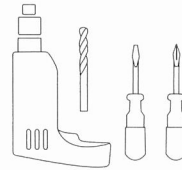
www.paulmann.com

Art.-Nr.: 988.49
988.50

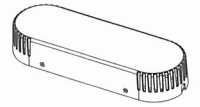
988.49/988.50



1X



not incl.

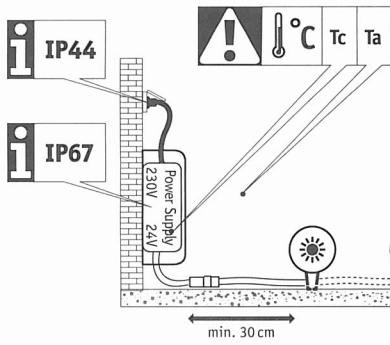


(+MA 326) PAX 05/17



Paulmann
Art.-Nr. 939.04

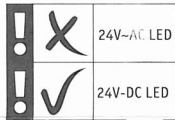
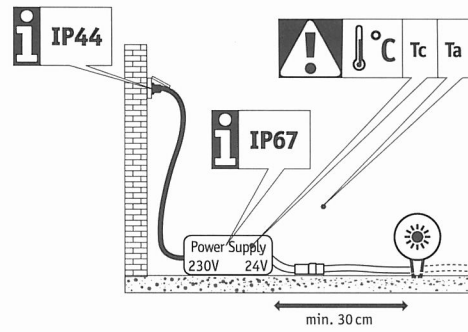
A



Safety Instructions Nr. 5

Safety Instructions Nr. 10,11,13

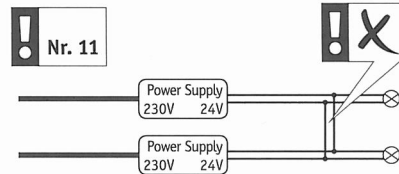
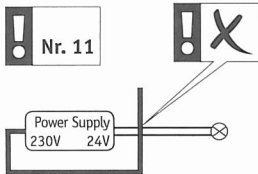
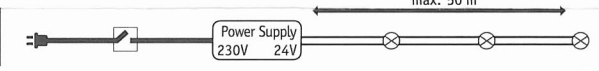
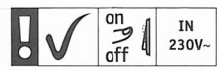
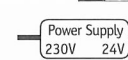
min. cm



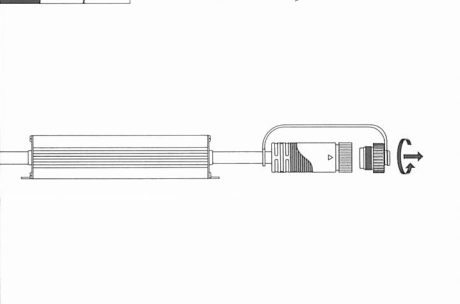
Power Supply 75W Art.-Nr.: 988.49

Power Supply 150W Art.-Nr.: 988.50

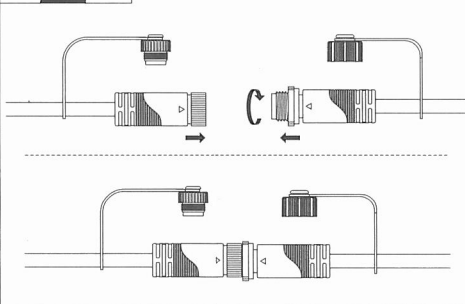
Safety Instructions Nr. 14,22,23,26



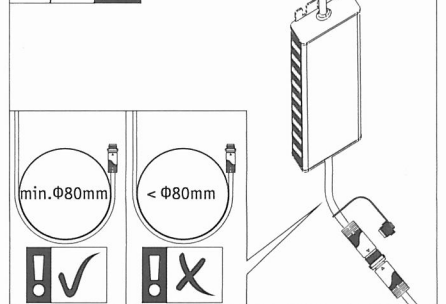
B1 B2 B3



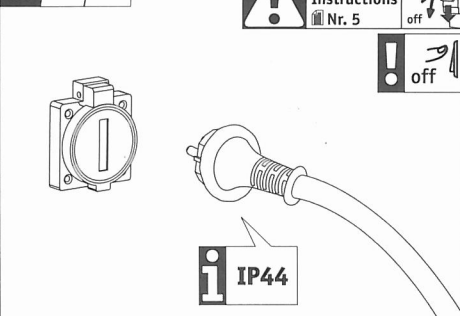
B1 B2 B3



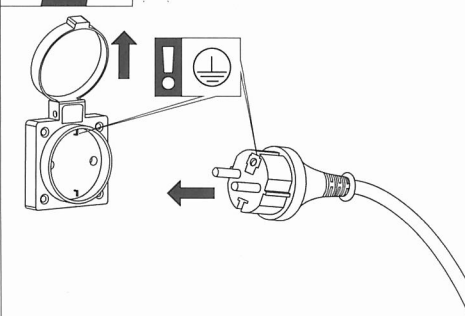
B1 B2 B3



C1 C2 C3



C1 C2 C3



C1 C2 C3

