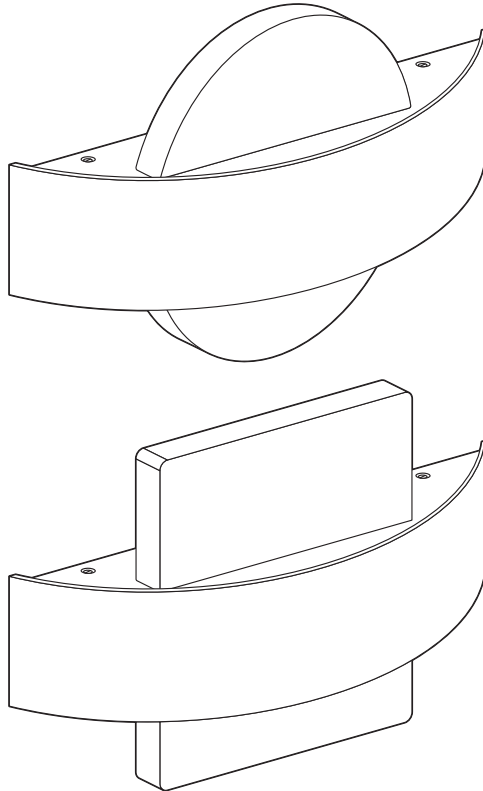

**ENDURA® STYLE
SHIELD**



	EAN	W	lm	K	°C	V~	mA	Hz	PF
ENDURA® STYLE SHIELD RD 11W DG	4058075205291	10.5	400	3000	-20...+40	220-240	63	50/60	>0.5
ENDURA® STYLE SHIELD SQ 11W DG	4058075205314	10.5	410	3000	-20...+40	220-240	63	50/60	>0.5

