



Paulmann

Safety Instructions

1, 2, 3, 4, 5, 6, 7, 9, 10, 12, 15, 16,
17, 18, 19, 20, 21, 22, 24, 25, 26,
33, 34



31.08.2021

ENERGY LABEL
874/2012

A++ - A

01.09.2021

ENERGY LABEL
2019/2015

F



www.paulmann.com/symbols

Paulmann Licht GmbH
Quezinger Feld 2
31832 Springe
Germany

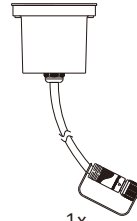


www.paulmann.com

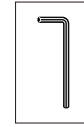
Art.-Nr.: 942.27
942.28
942.29
942.30
(+MA326) PSU 03/21



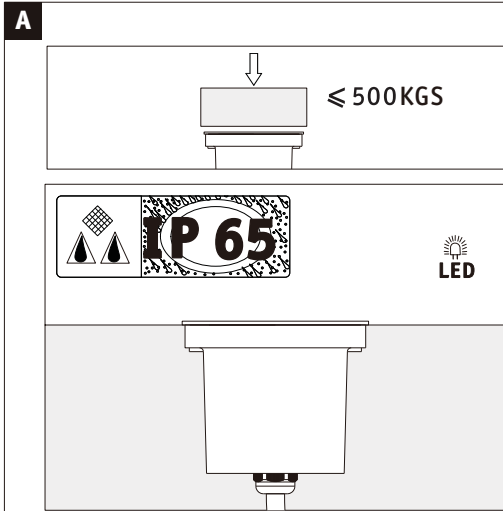
IP65



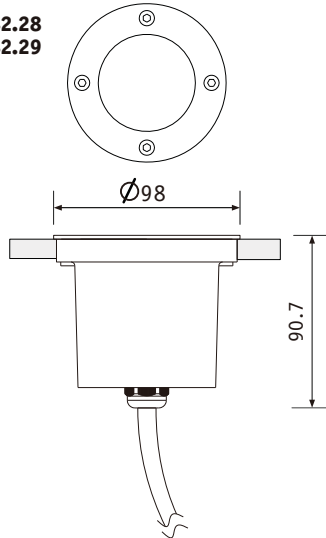
1x



Incl.



942.28
942.29



942.27
942.30

