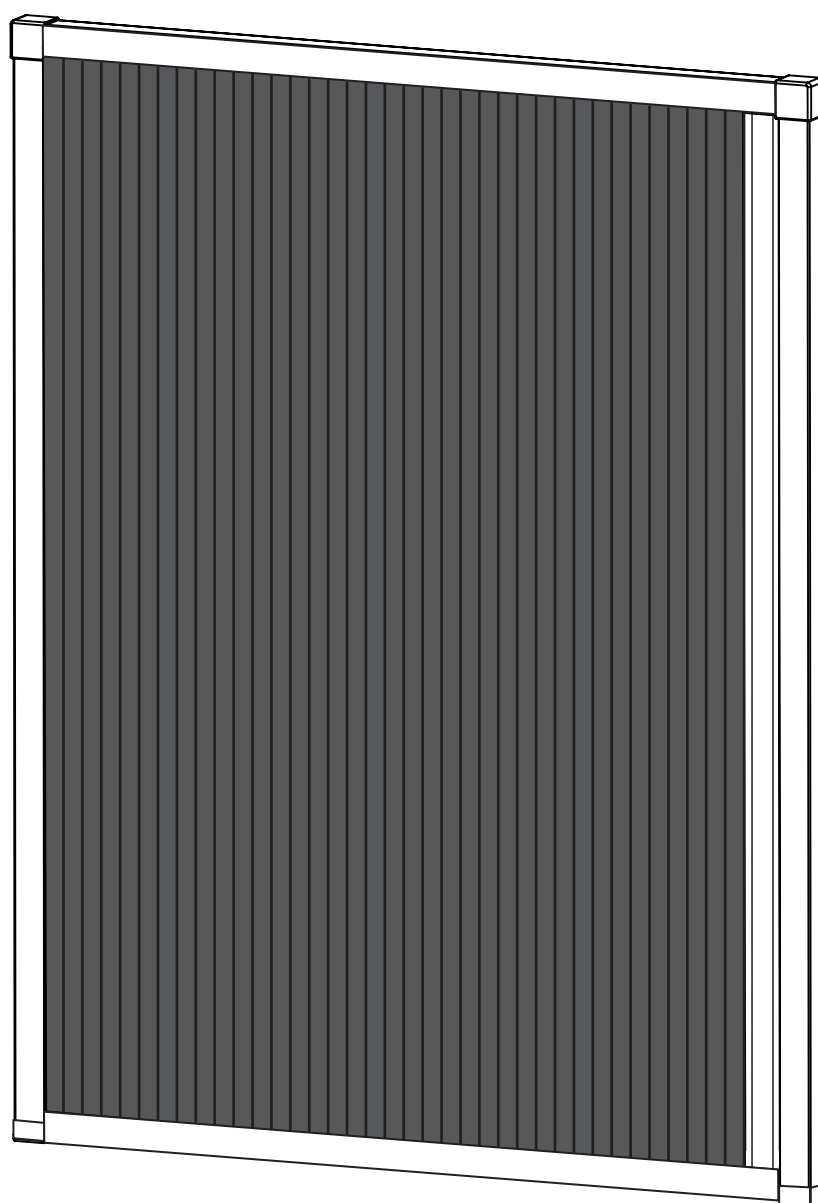


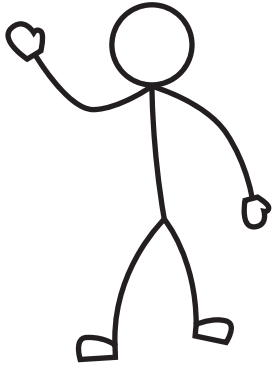


**SCHELLENBERG**

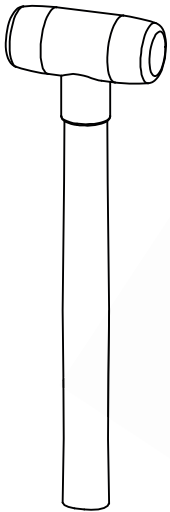
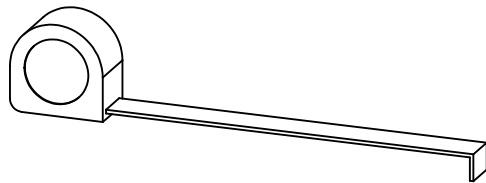
**PLISSEE**

70993

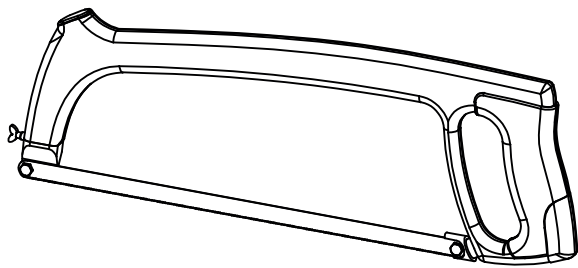
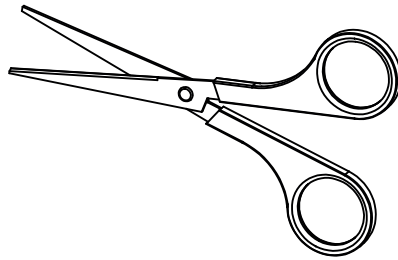




2x



PZ2





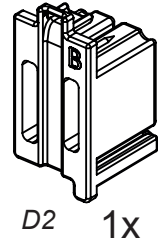
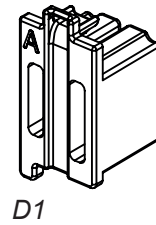
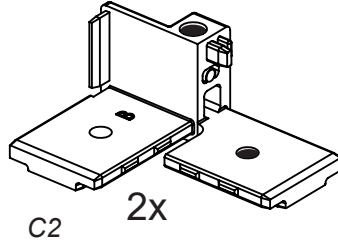
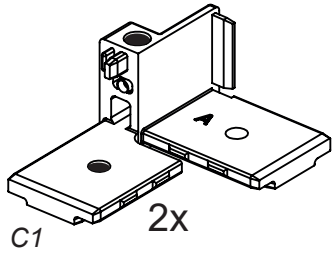
*M*  
4x

*B1*  
2x

*B2*  
2x

*B3*  
1x

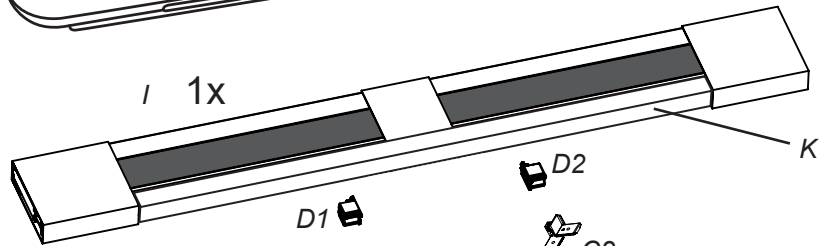
*B4*  
1x



2x  
*H*

*E* 10x

*I* 1x



*D1*

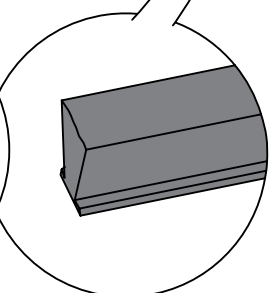
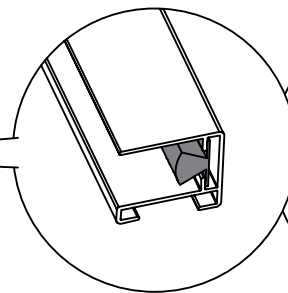
*D2*

*C2*

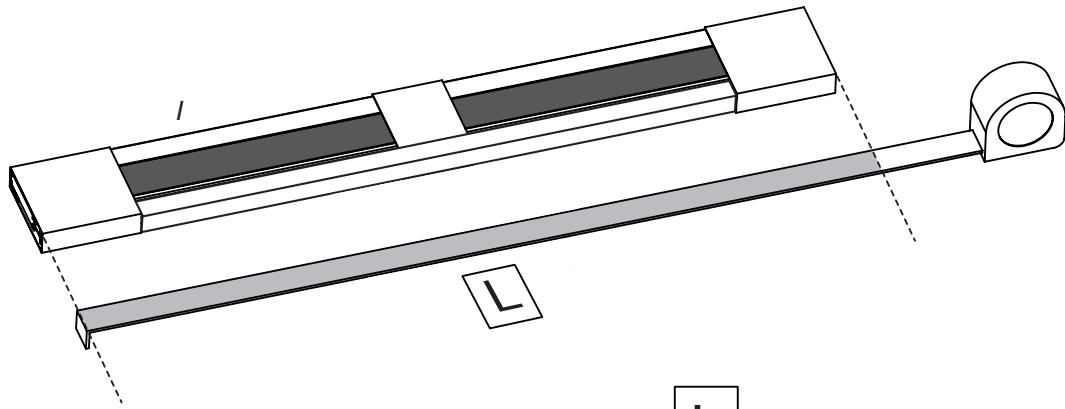
*C1*

*J* 1x

*N*  
1x

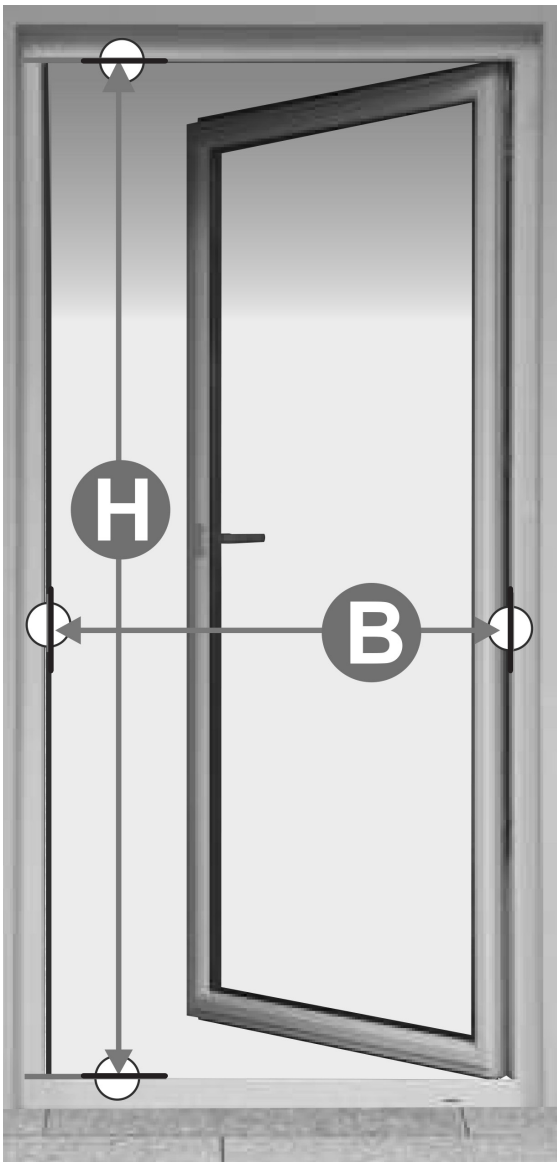


1.



L = \_\_\_\_\_ , \_\_\_\_\_ cm

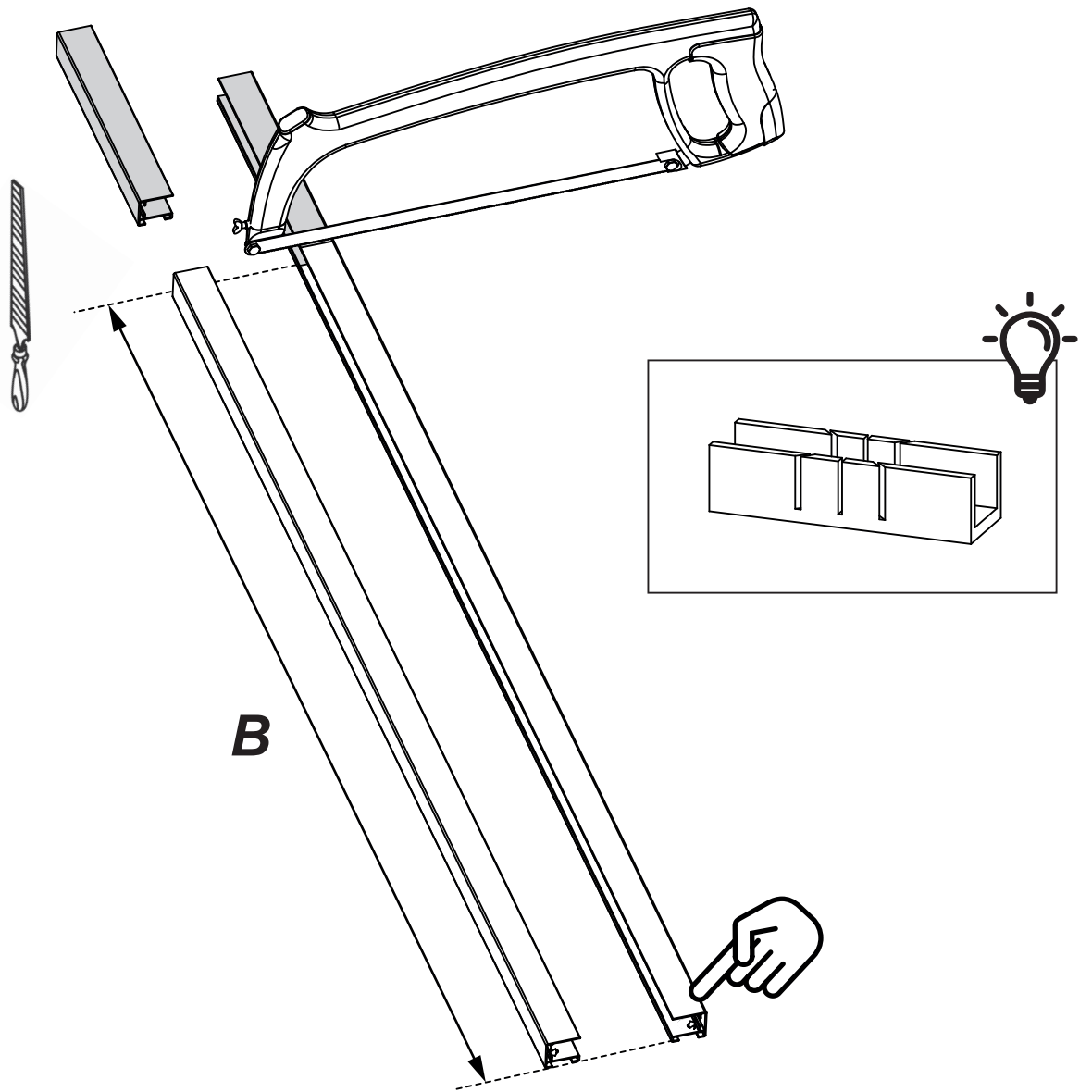
2.



B = \_\_\_\_\_ , \_\_\_\_\_ cm

H = \_\_\_\_\_ , \_\_\_\_\_ cm

3.

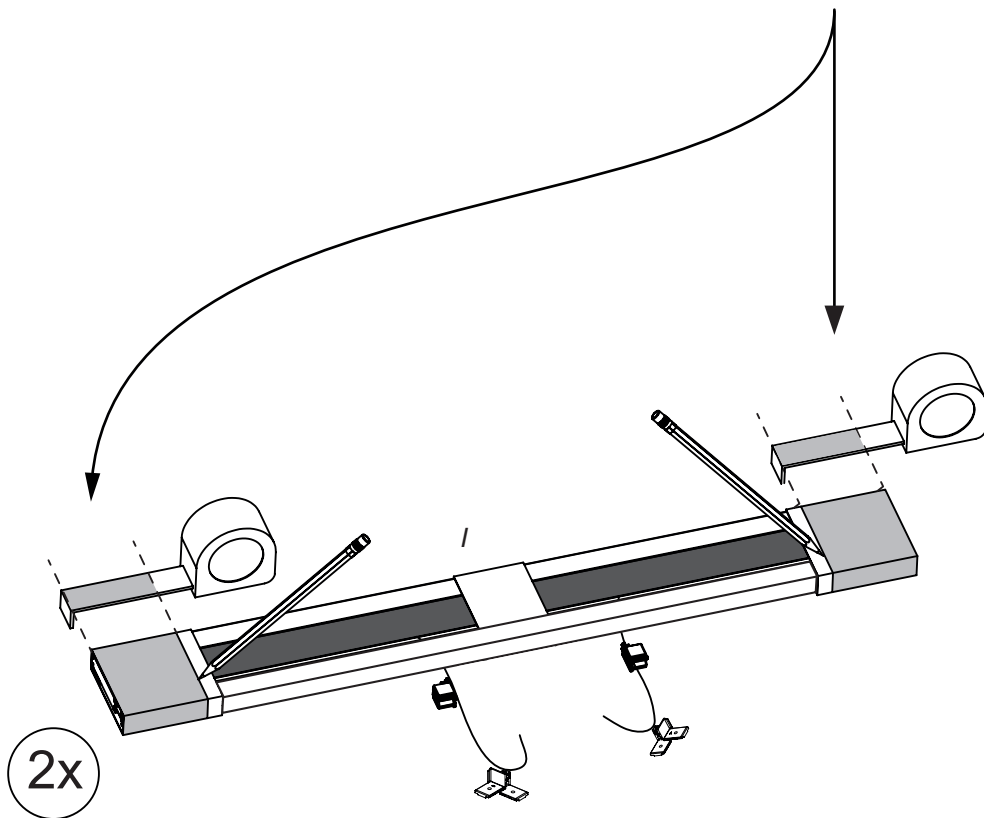


a)  $\boxed{L} - \boxed{H} = \underline{\hspace{1cm}}, \underline{\hspace{1cm}} \text{ cm} - \underline{\hspace{1cm}}, \underline{\hspace{1cm}} \text{ cm} = \underline{\hspace{1cm}}, \underline{\hspace{1cm}}$   
       \_\_\_\_\_ cm

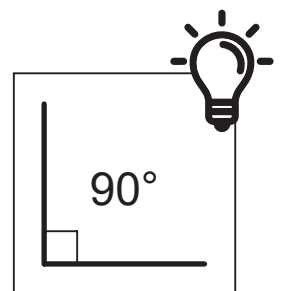
b) \_\_\_\_\_, \_\_\_\_\_ cm - 3,0 cm = \_\_\_\_\_, \_\_\_\_\_ cm

c)  $\frac{\underline{\hspace{1cm}}, \underline{\hspace{1cm}}}{2} = \boxed{\underline{\hspace{1cm}}, \underline{\hspace{1cm}} \text{ cm}}$

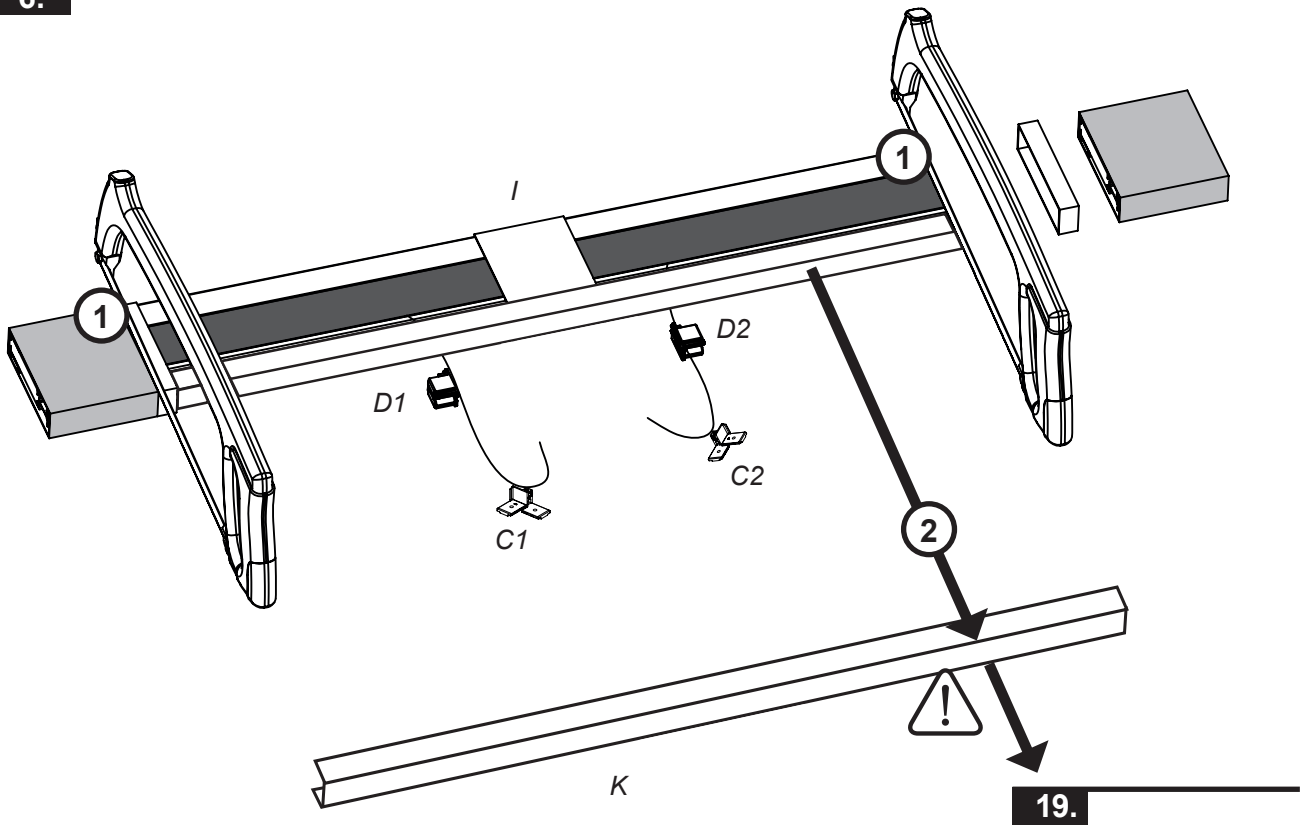
5.



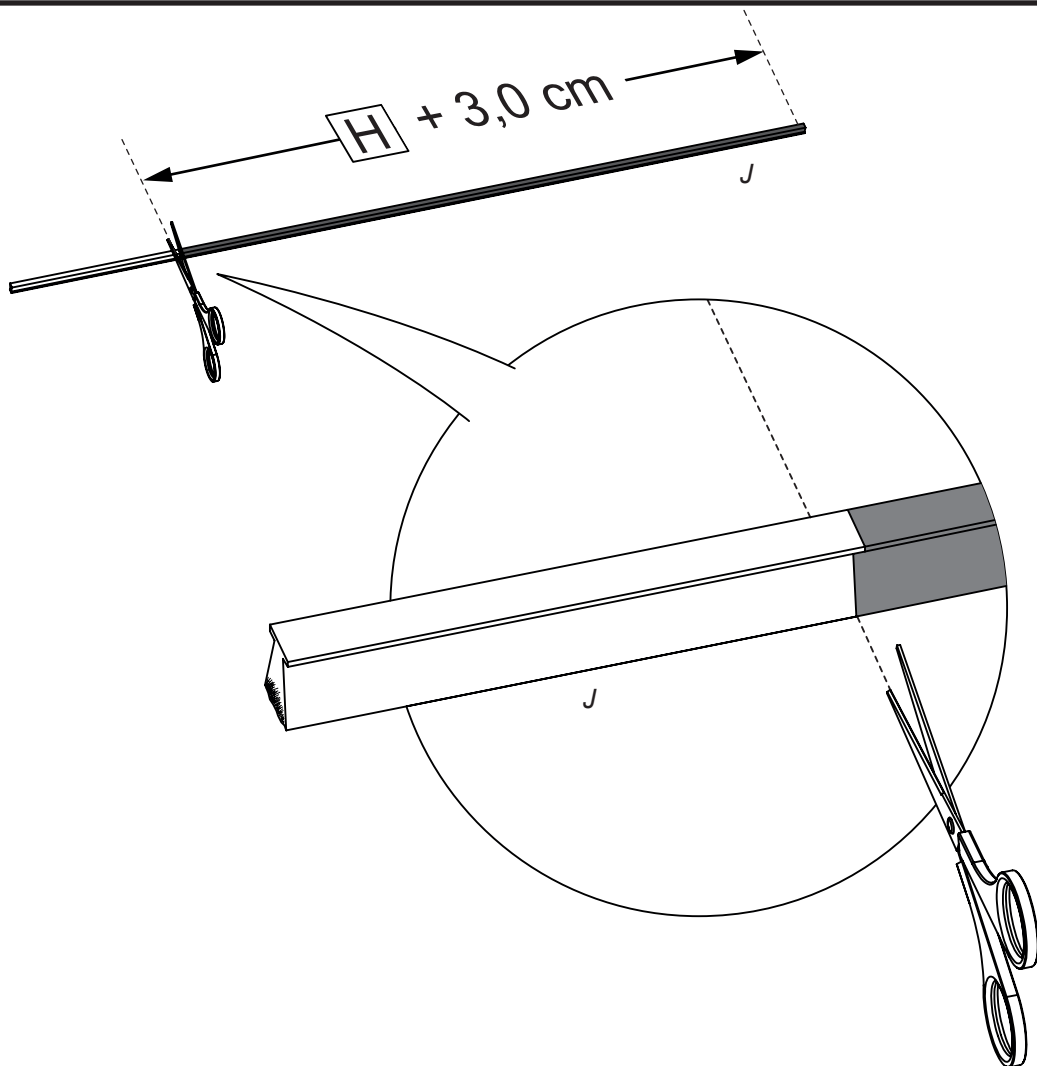
2x



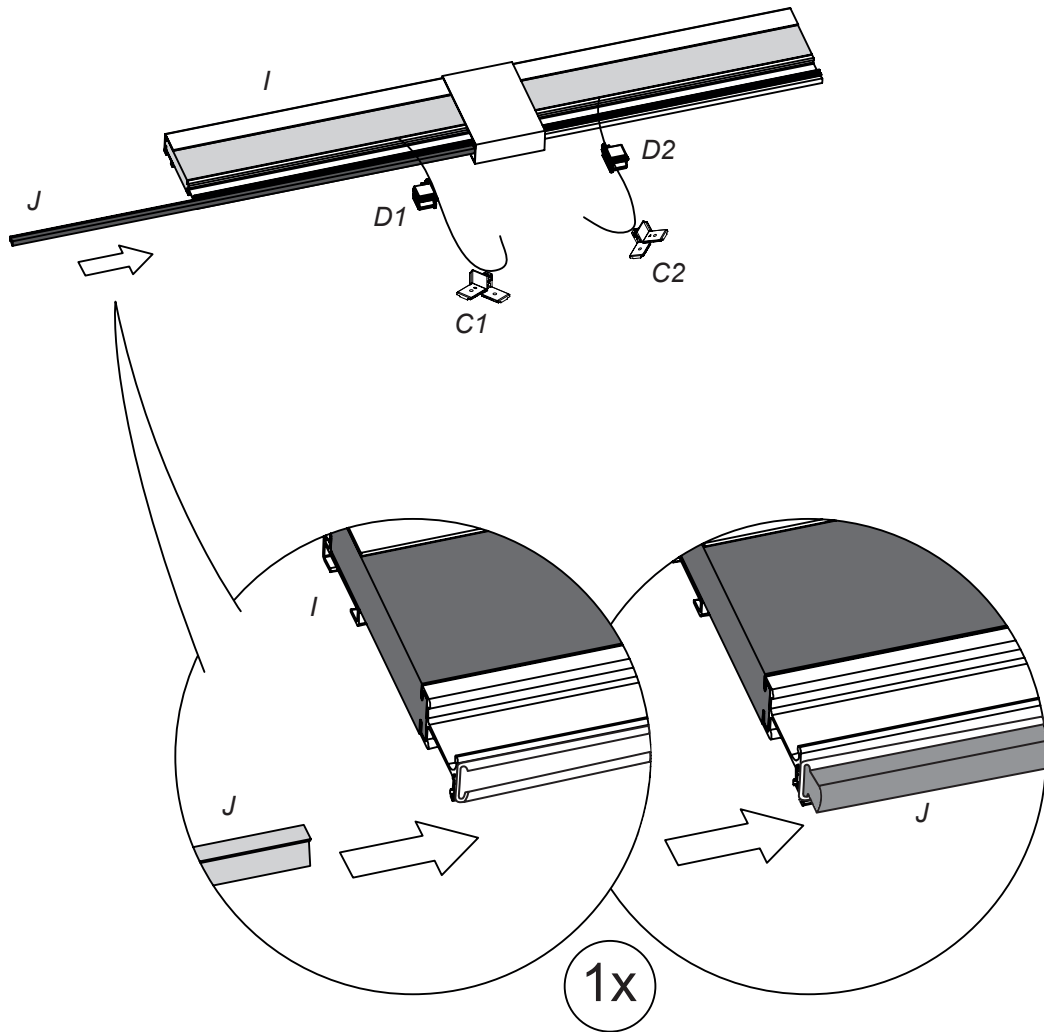
6.



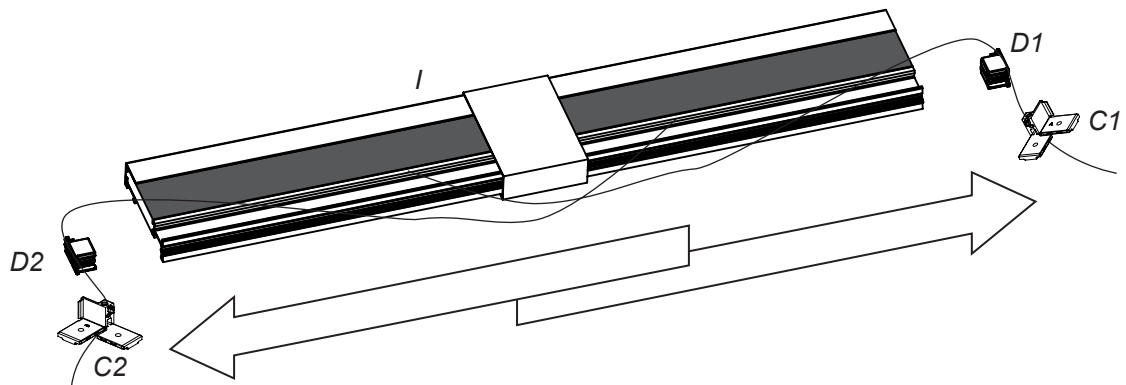
7.



8.

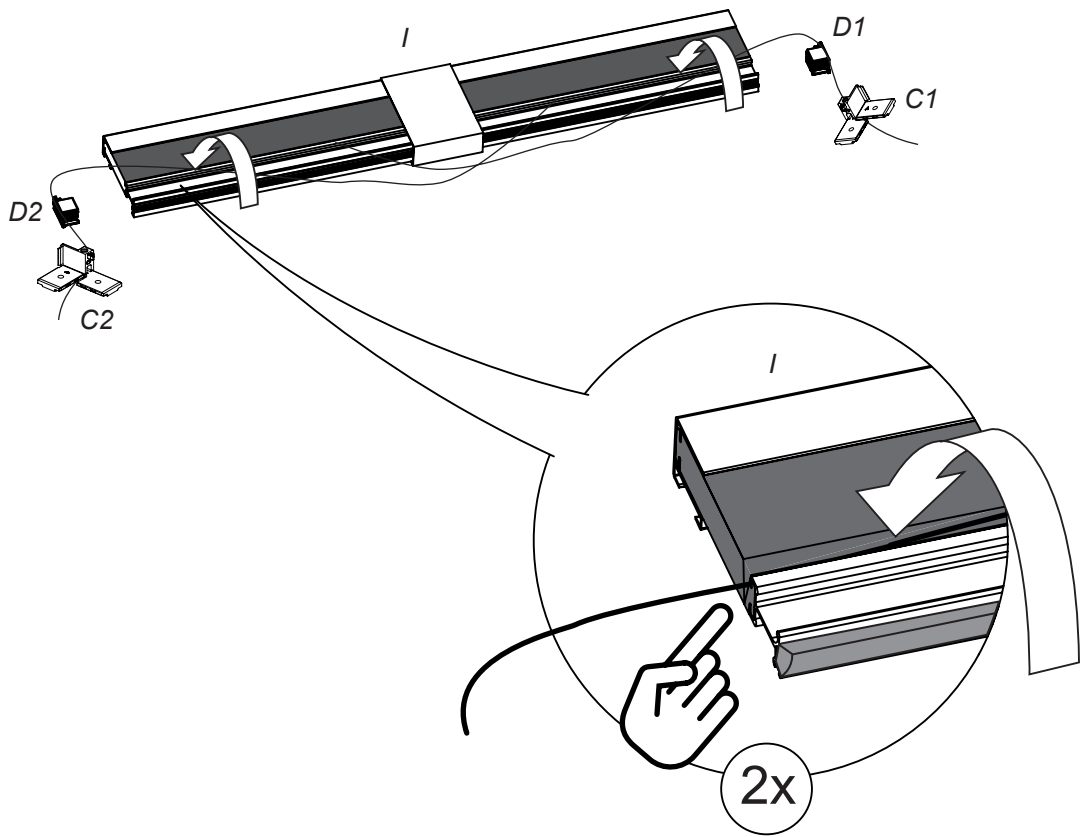


9.

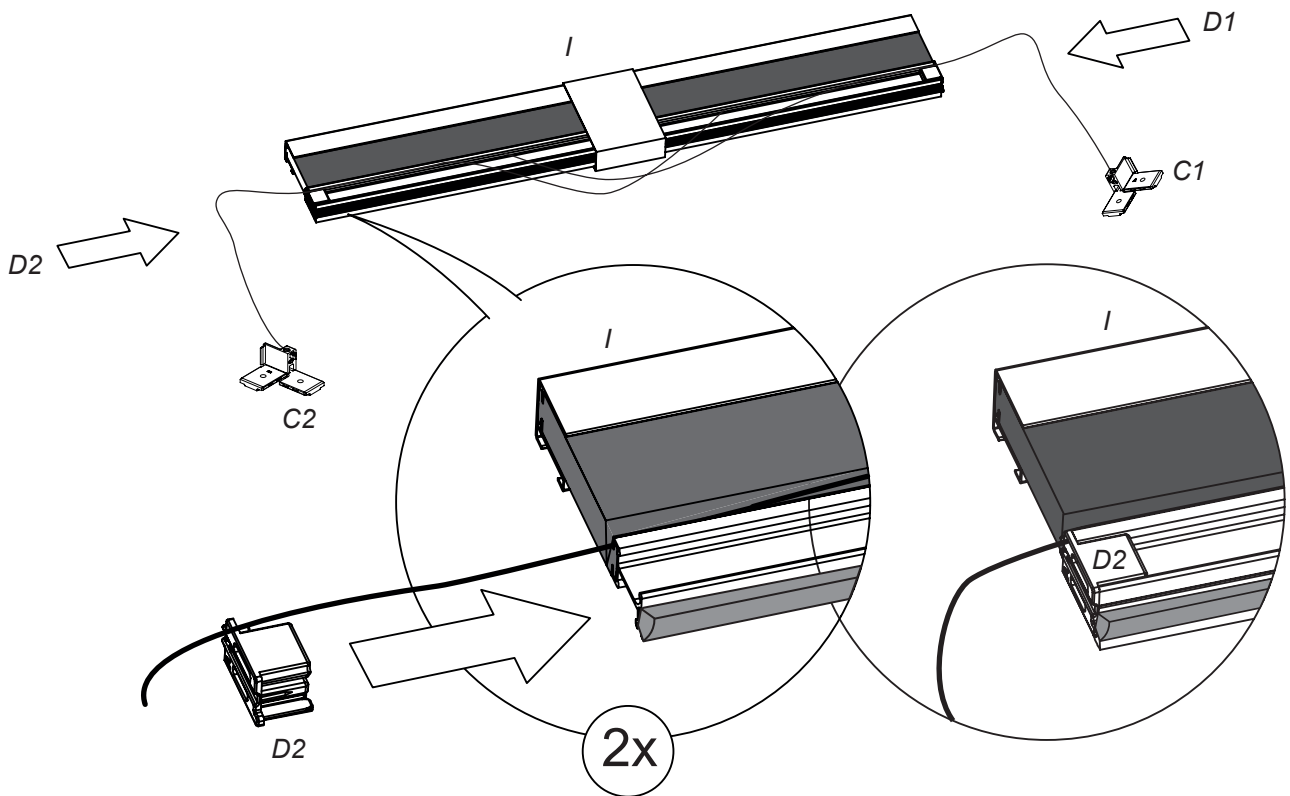


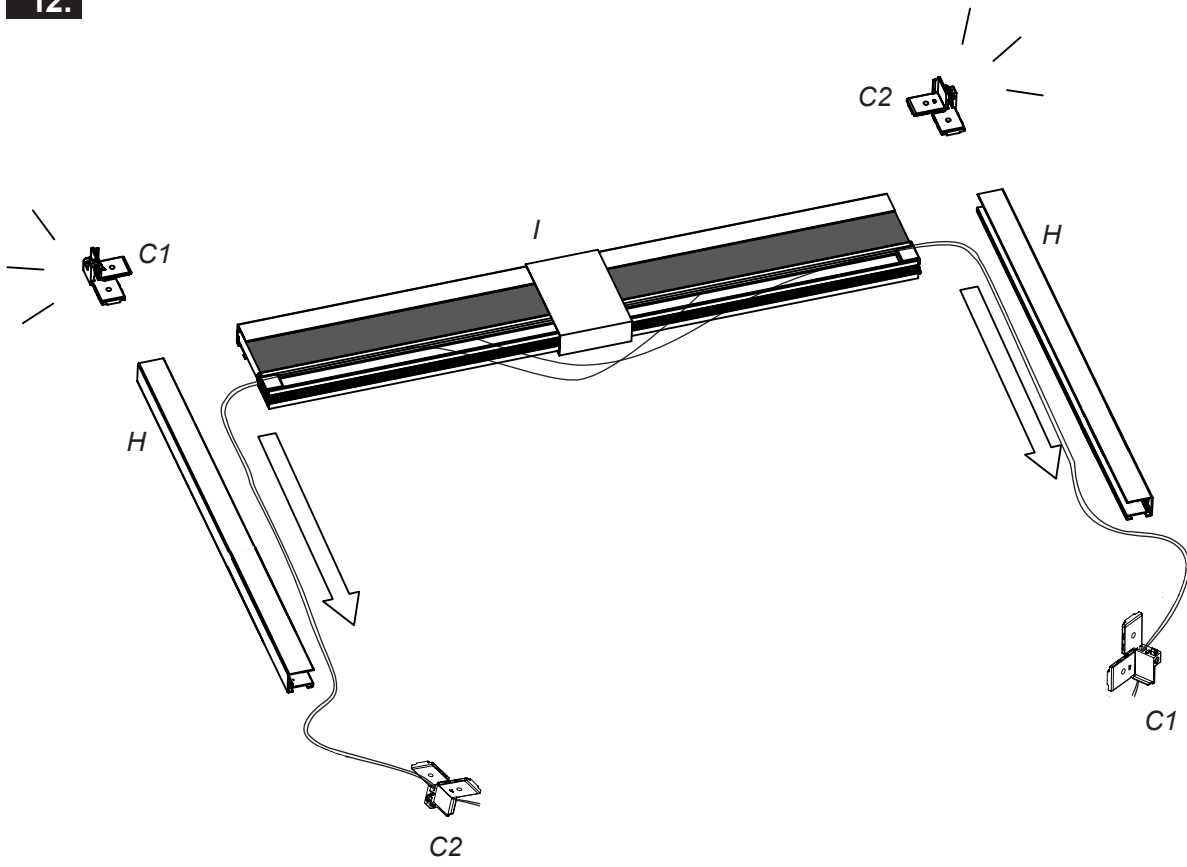


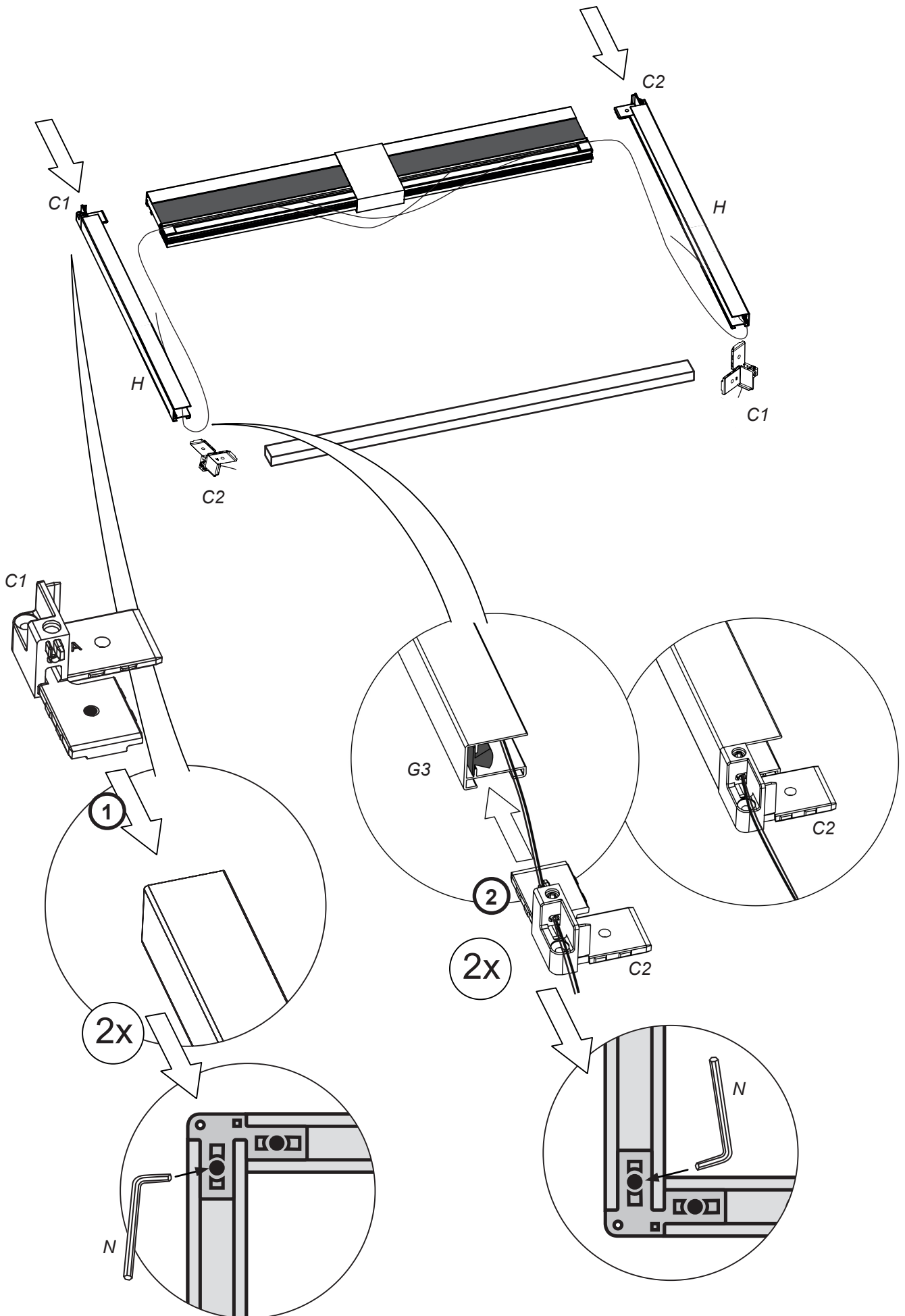
10.

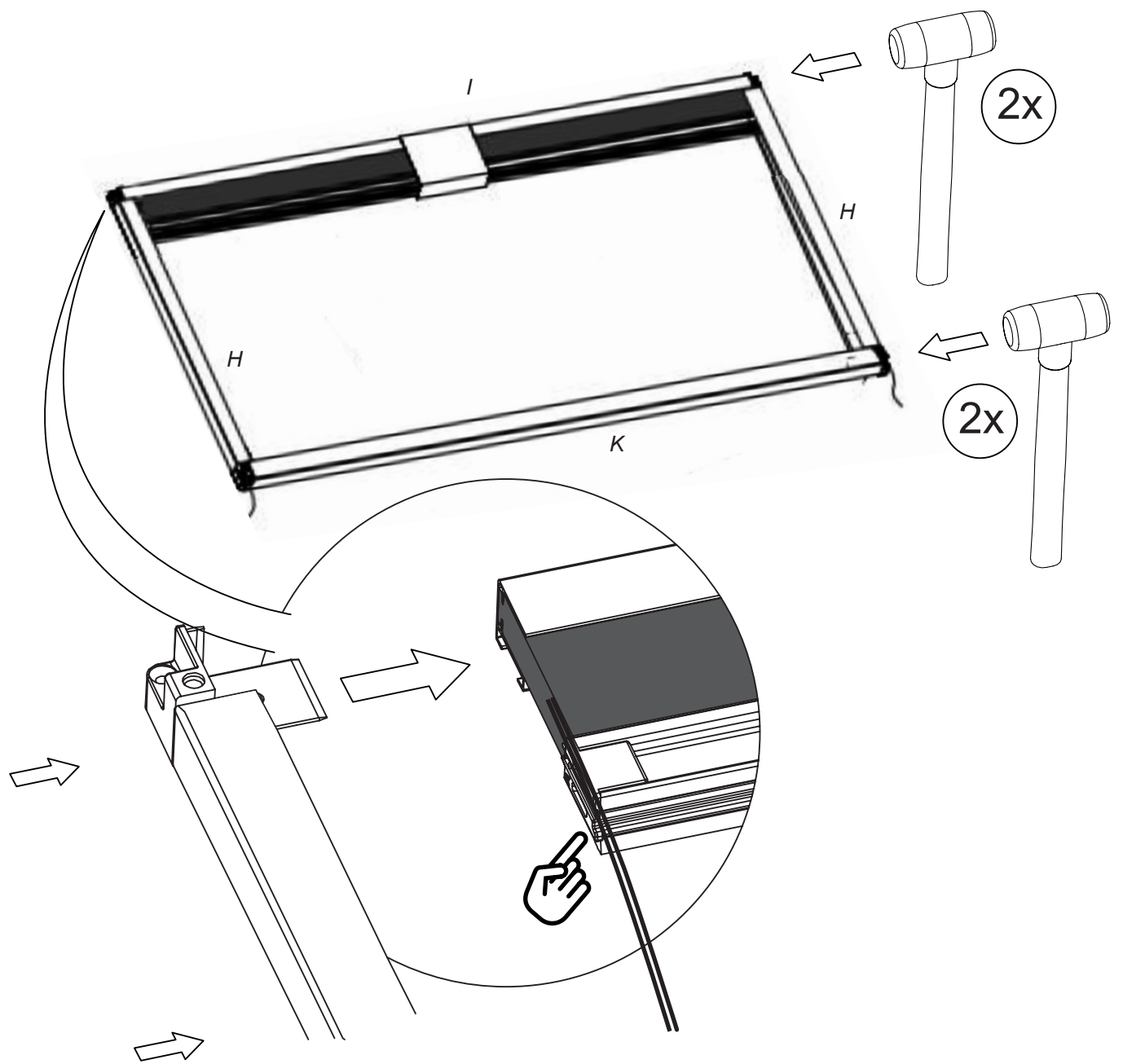


11.

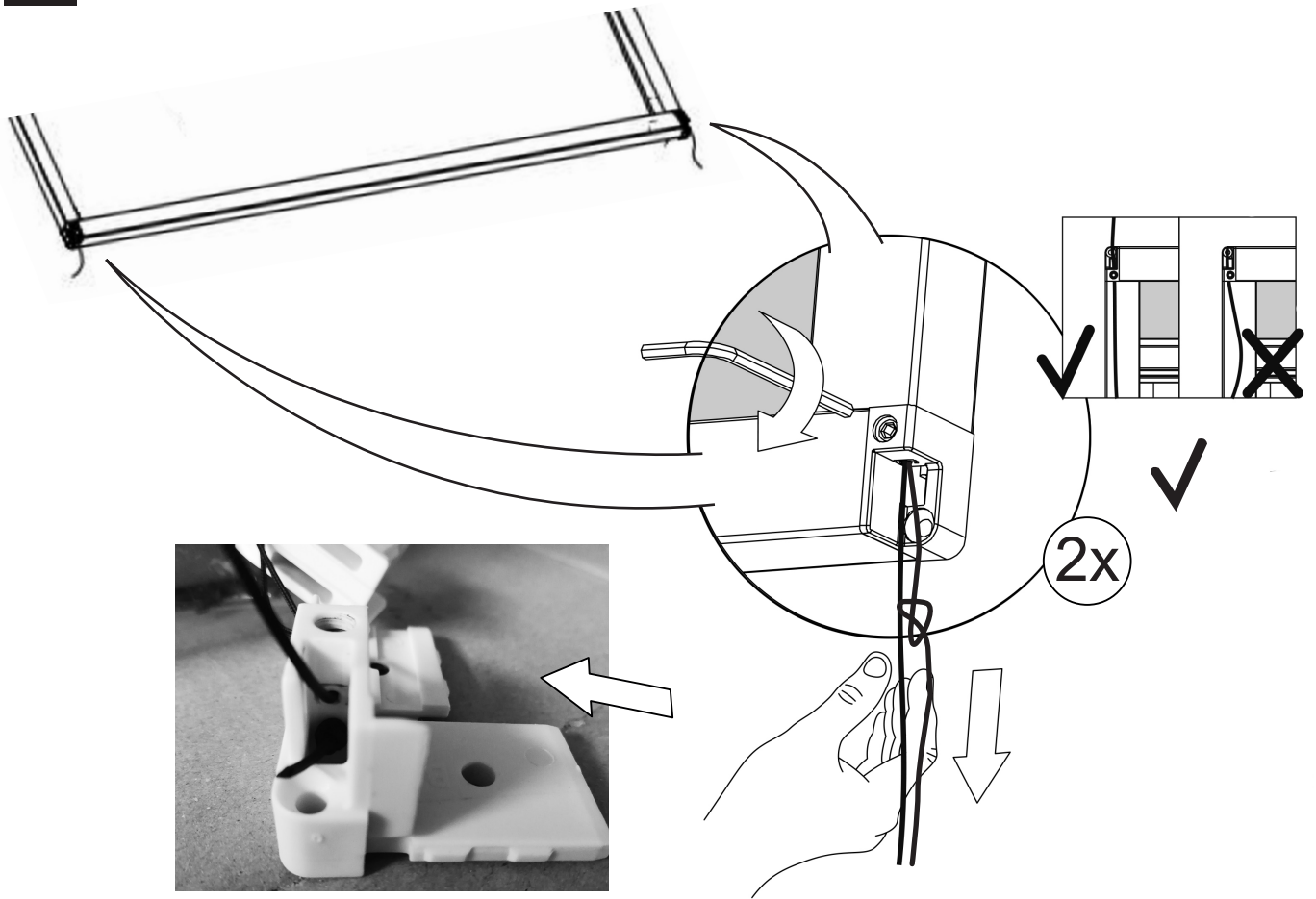




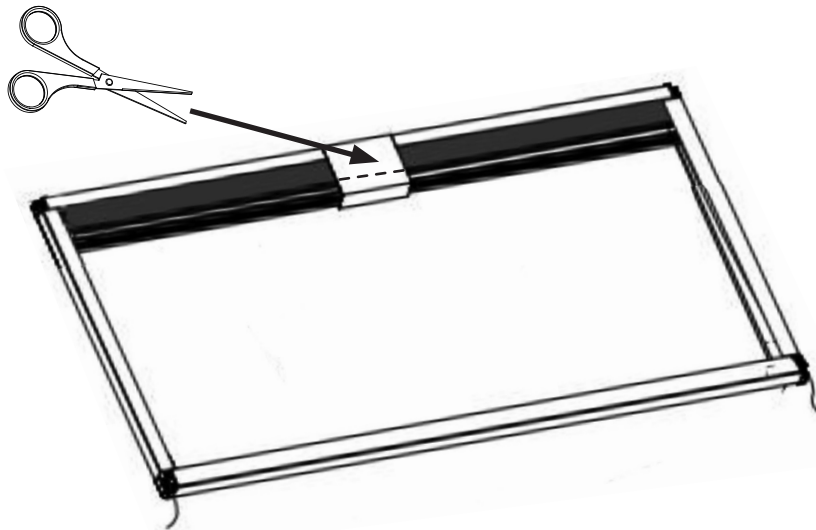




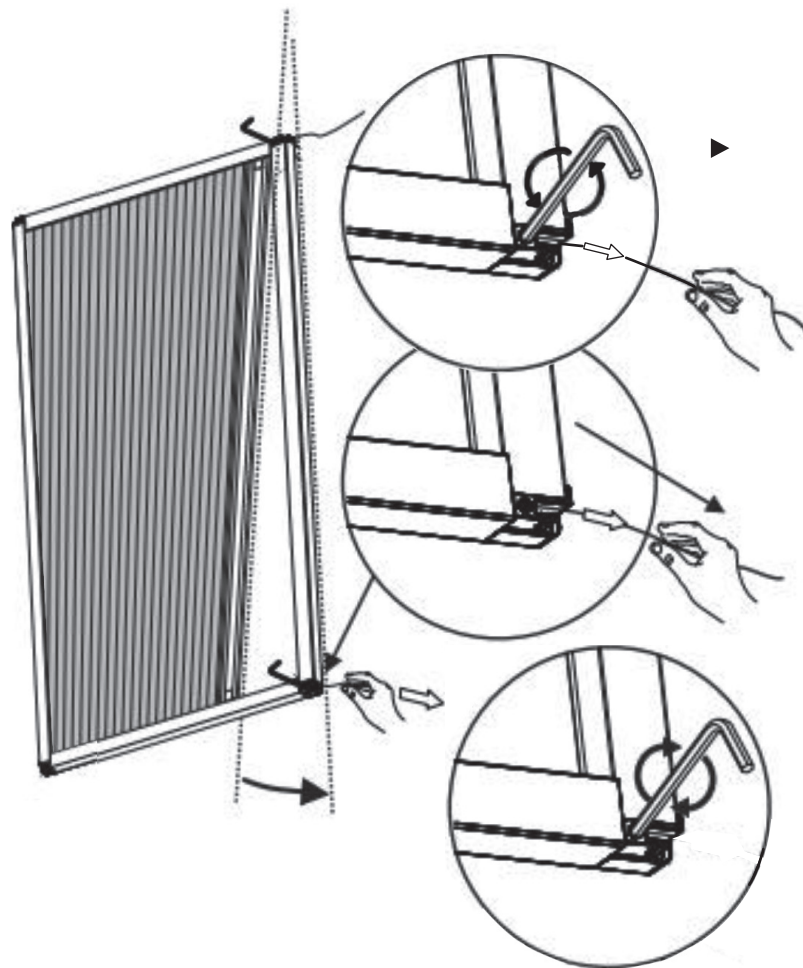
15.



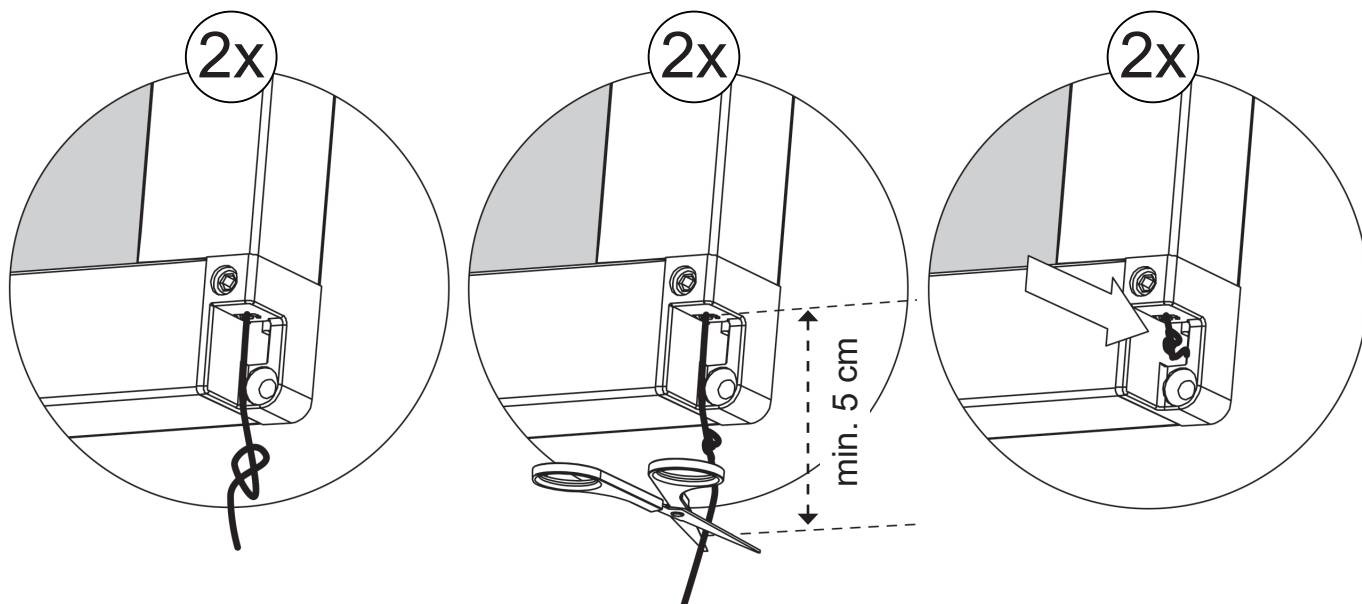
16.



17.



18.



19.

ca. 250 mm

ca. 250 mm

ca. 250 mm

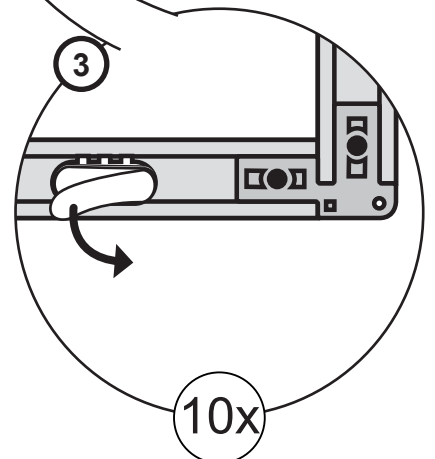
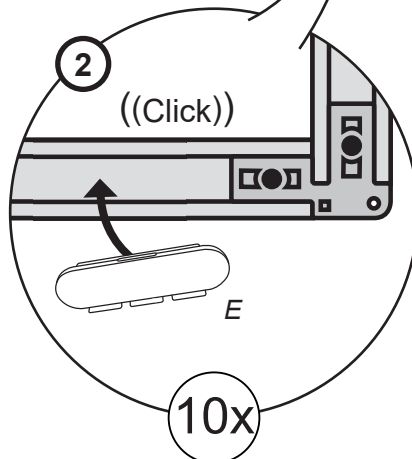
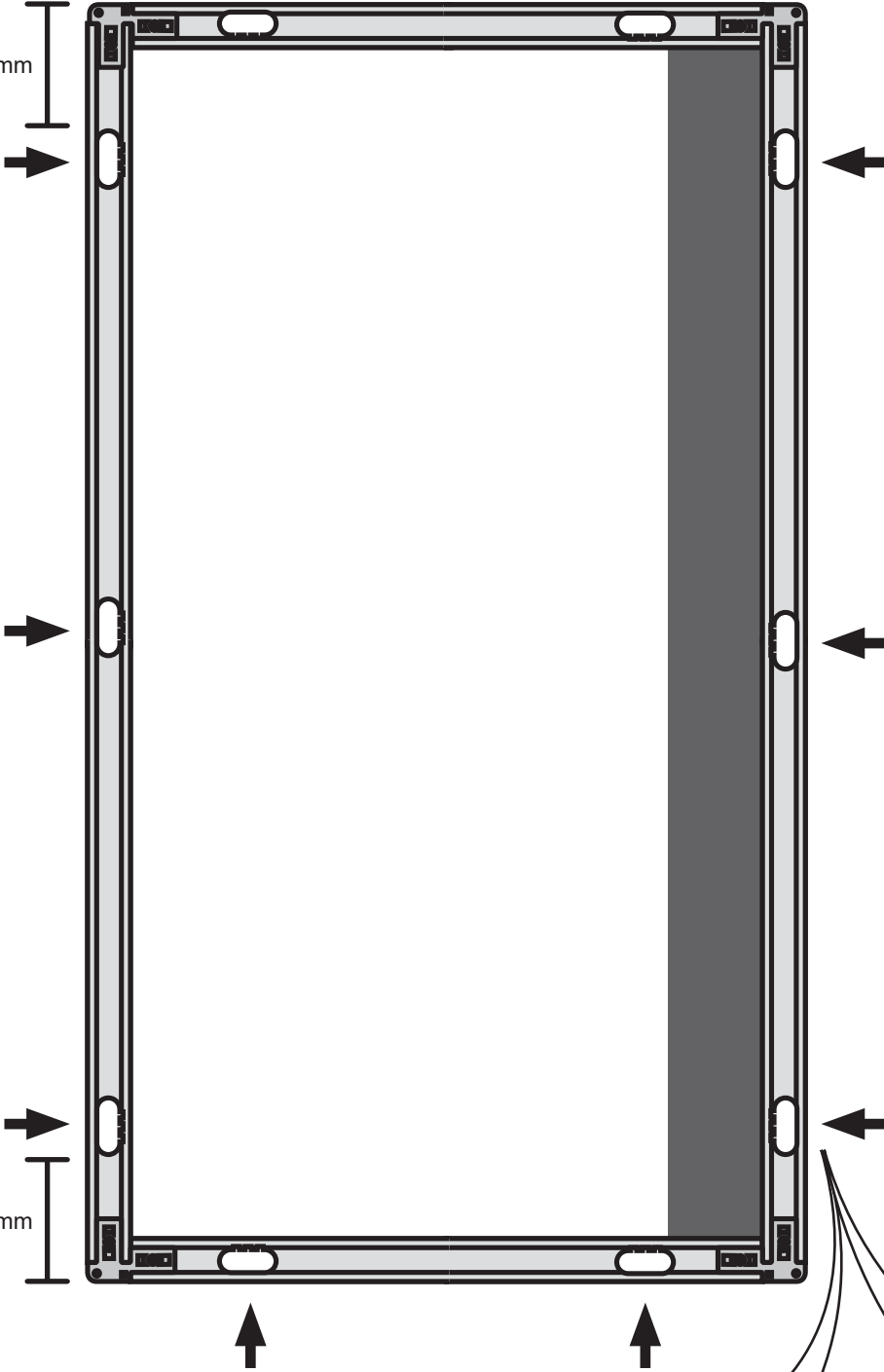
ca. 250 mm

OPT 1

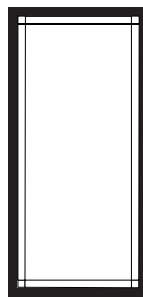
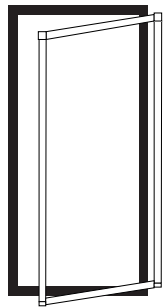


OPT 2

22.

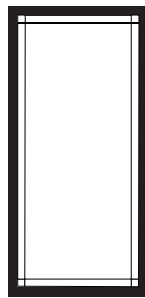
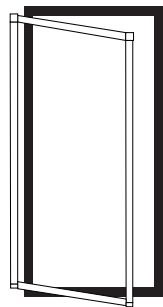


OPT A

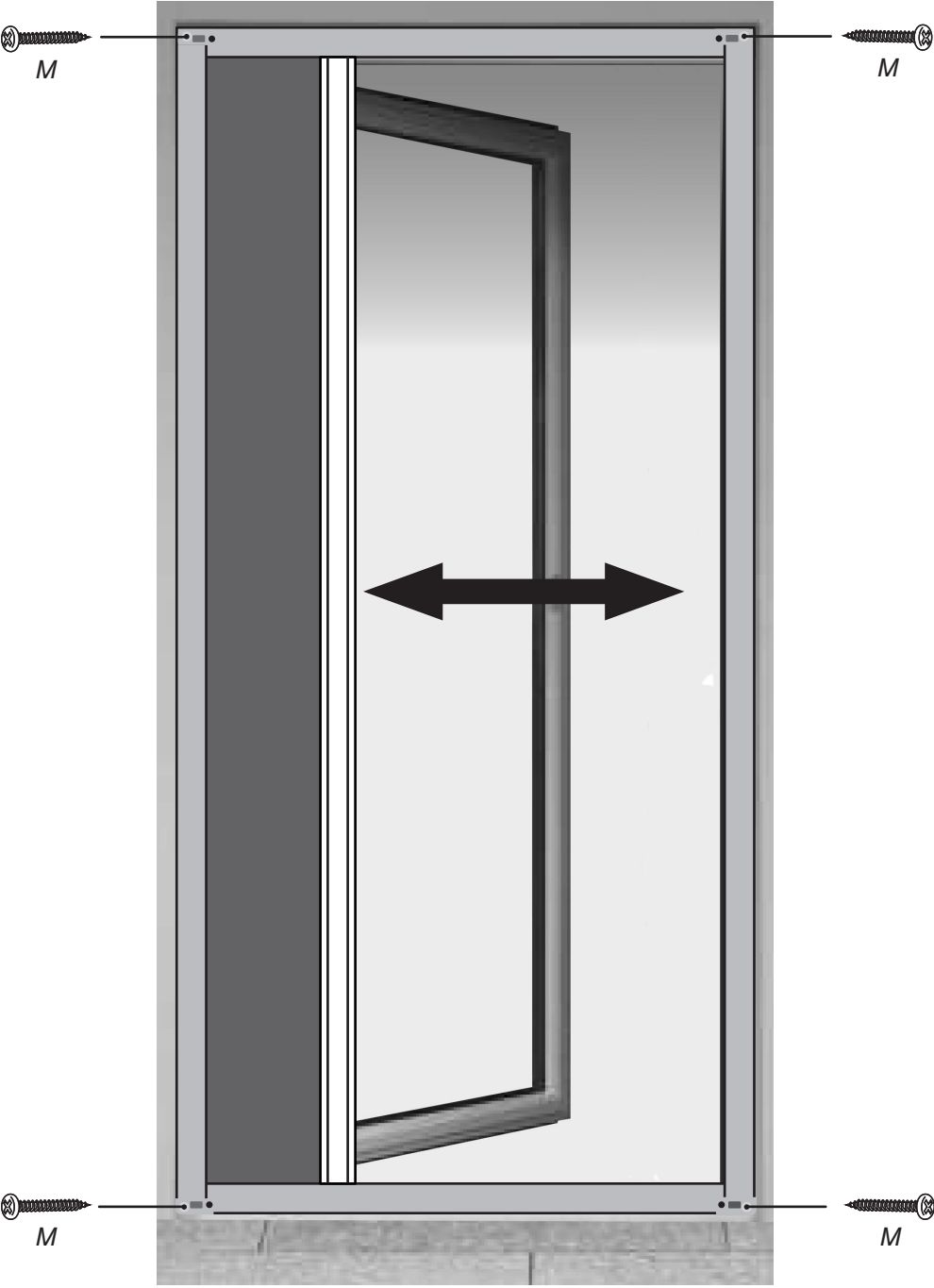




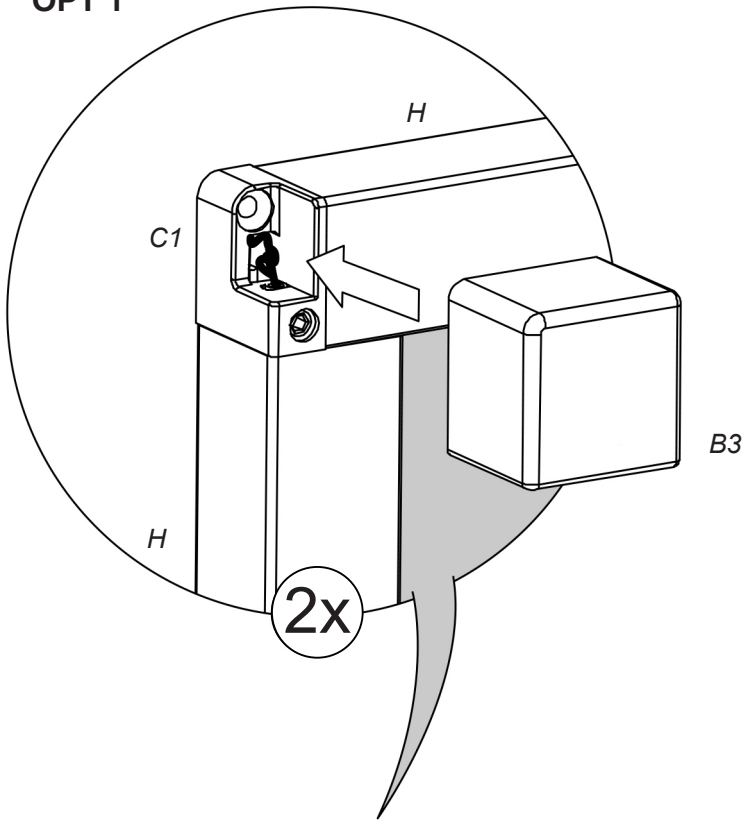
OPT B



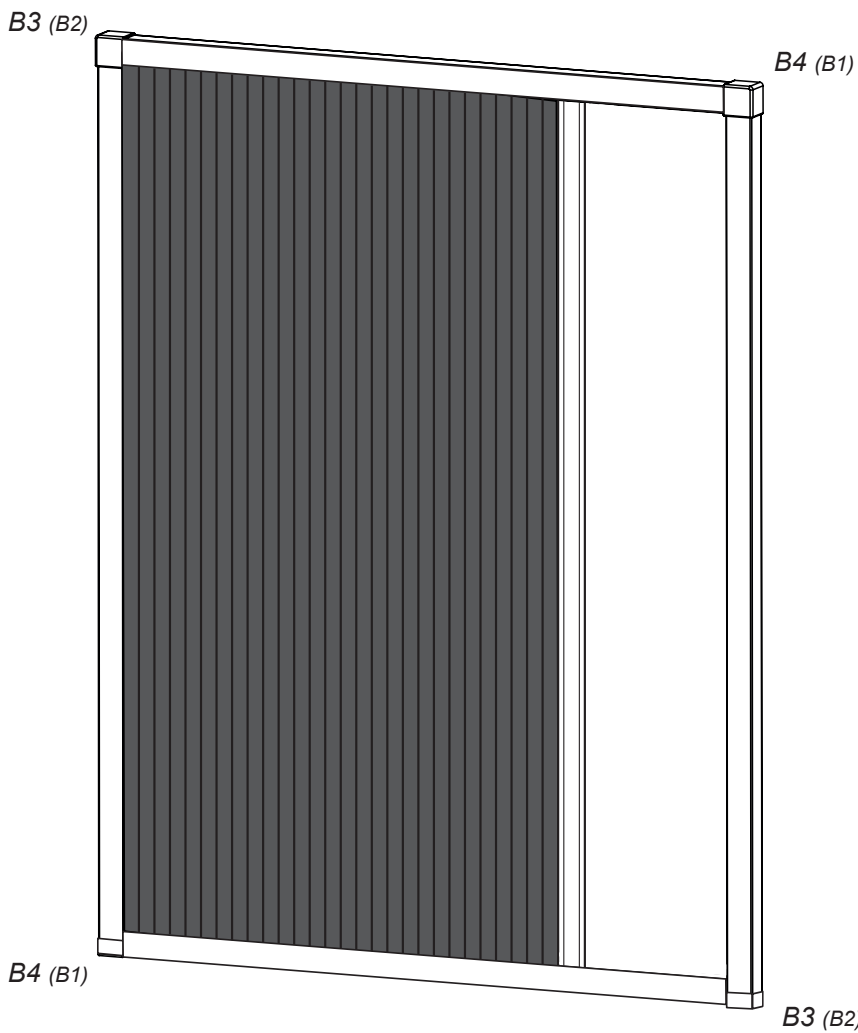
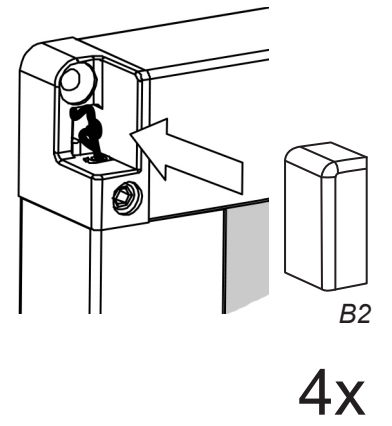
OPTIONAL 2



OPT 1



OPT 2





**Alfred Schellenberg GmbH**  
An den Weiden 31  
D-57078 Siegen  
[service.int@schellenberg.de](mailto:service.int@schellenberg.de)  
[www.schellenberg.de](http://www.schellenberg.de)