



Paulmann

Safety Instructions

1, 2, 3, 4, 5, 6, 7, 10, 12, 13, 15, 16, 19, 20, 21, 22, 24, 28, 33, 34



31.08.2021



874/2012

01.09.2021



2019/2015

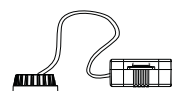
Paulmann Licht GmbH
Quezinger Feld 2
31832 Springe
Germany

www.paulmann.com

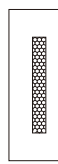
Art.-Nr.: 930.69



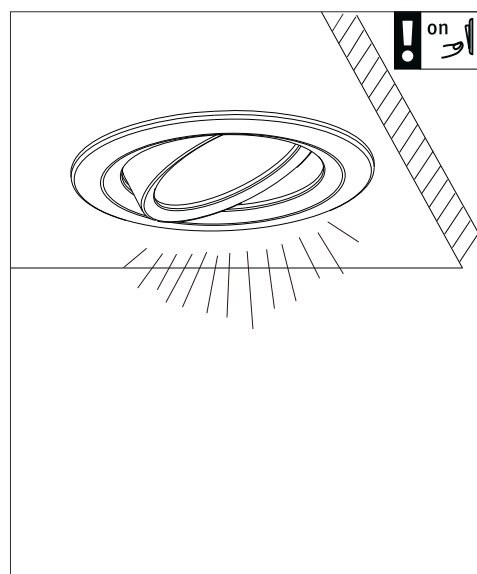
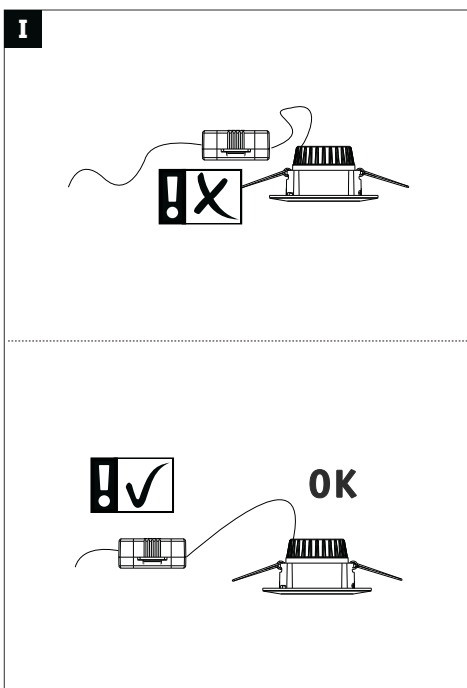
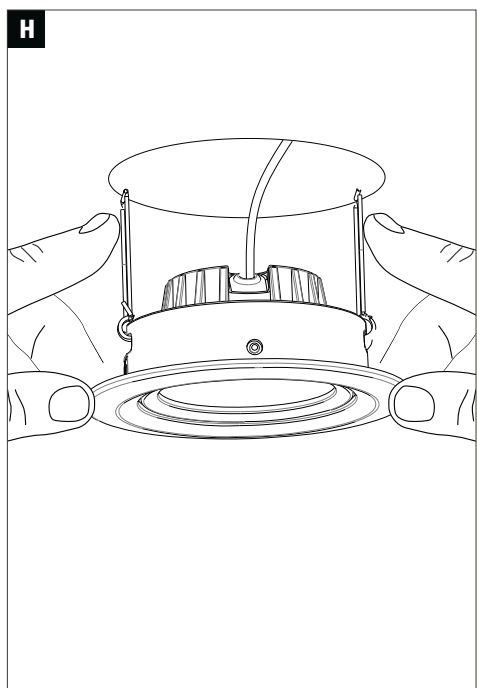
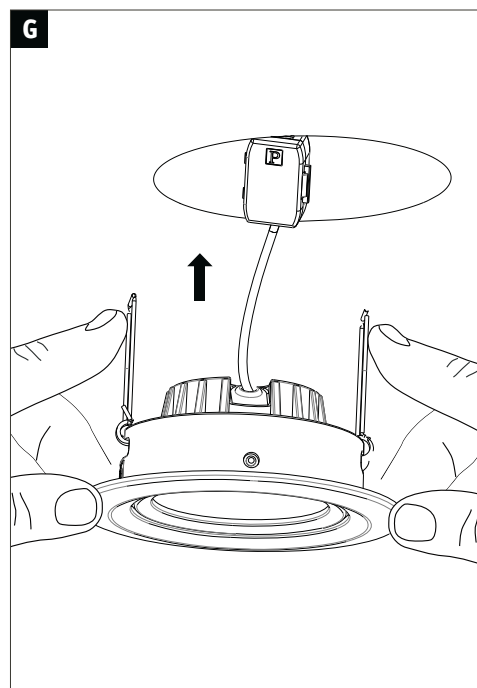
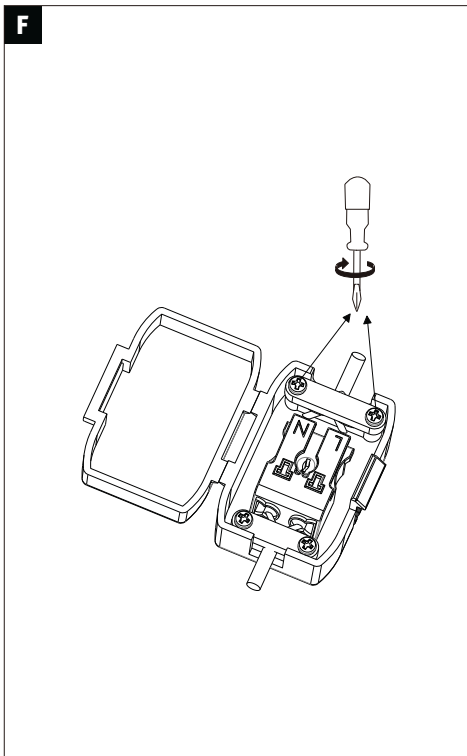
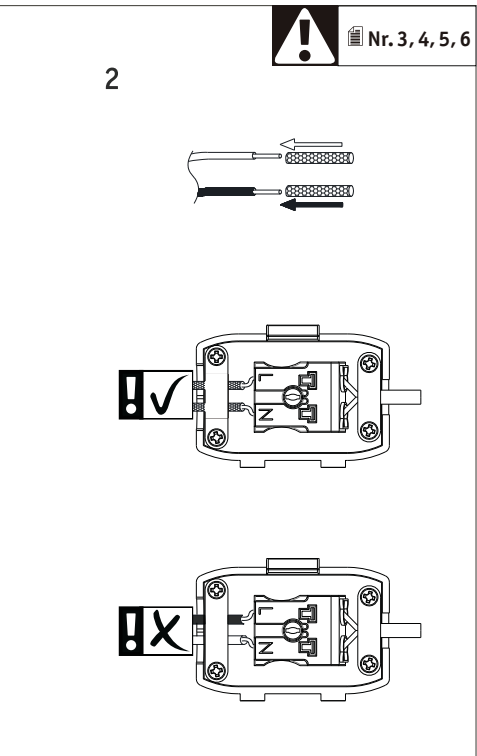
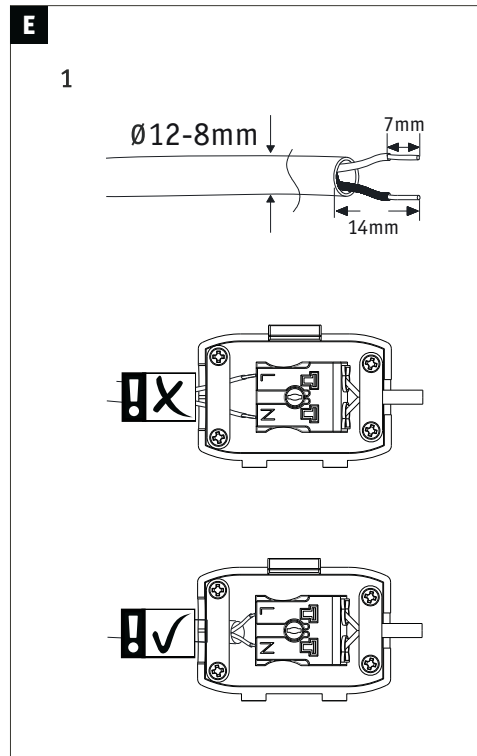
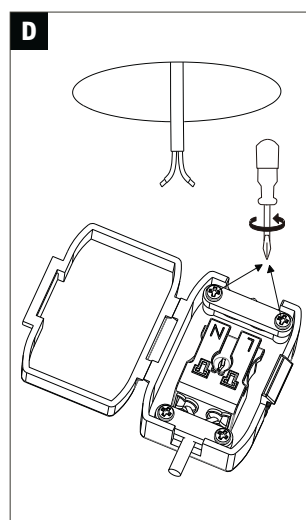
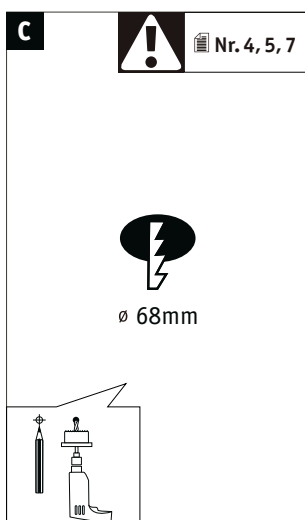
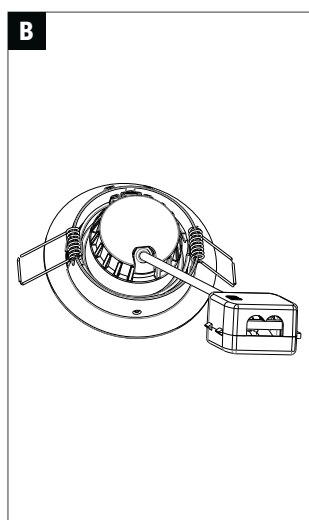
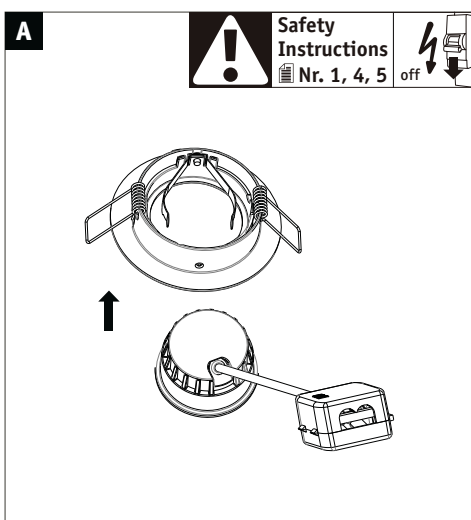
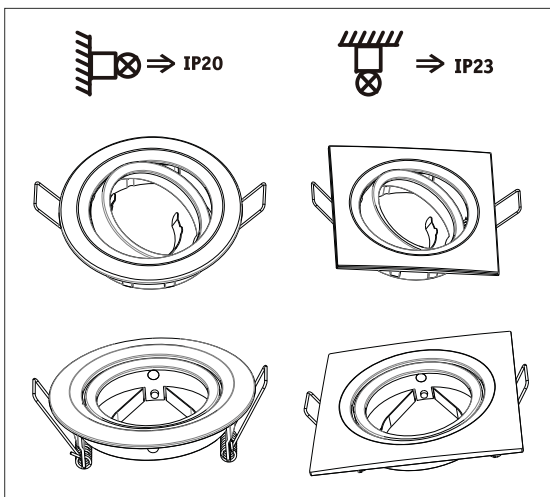
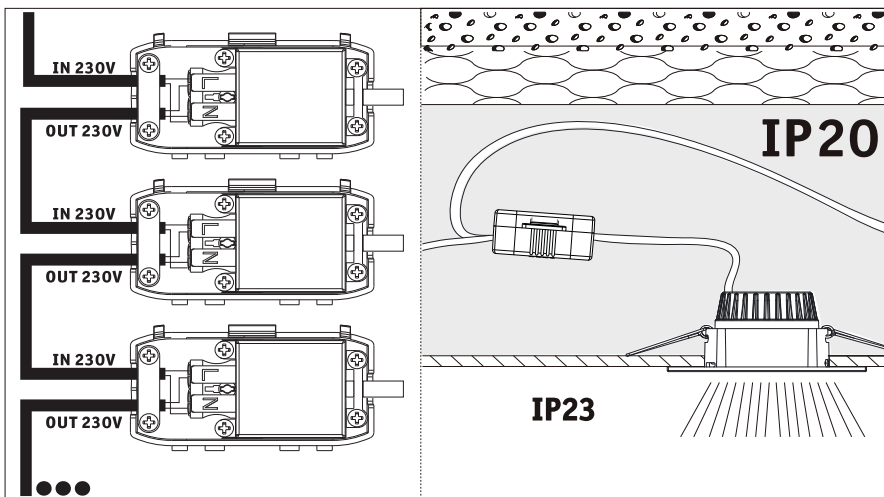
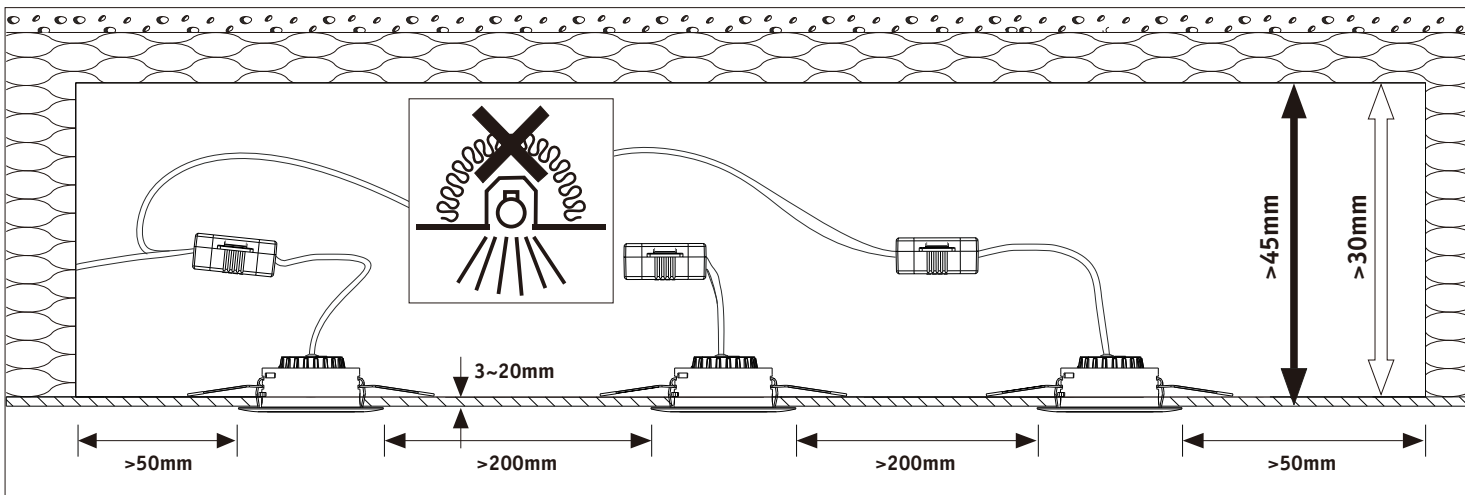
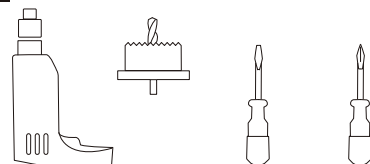
(+MA326) PSU 07/22



1x



Incl.



ENERGY

Paulmann
93069

A **B** **C** **D** **E** **F** **G**

6 kWh/1000h

\varnothing 51 mm

470 lm
6W
230V

warm white
2700K

CRI/Ra \geq 85

ON OFF $>$ 50.000

\approx 30x 1.000h

Lumen 60% 2 s

390093069

