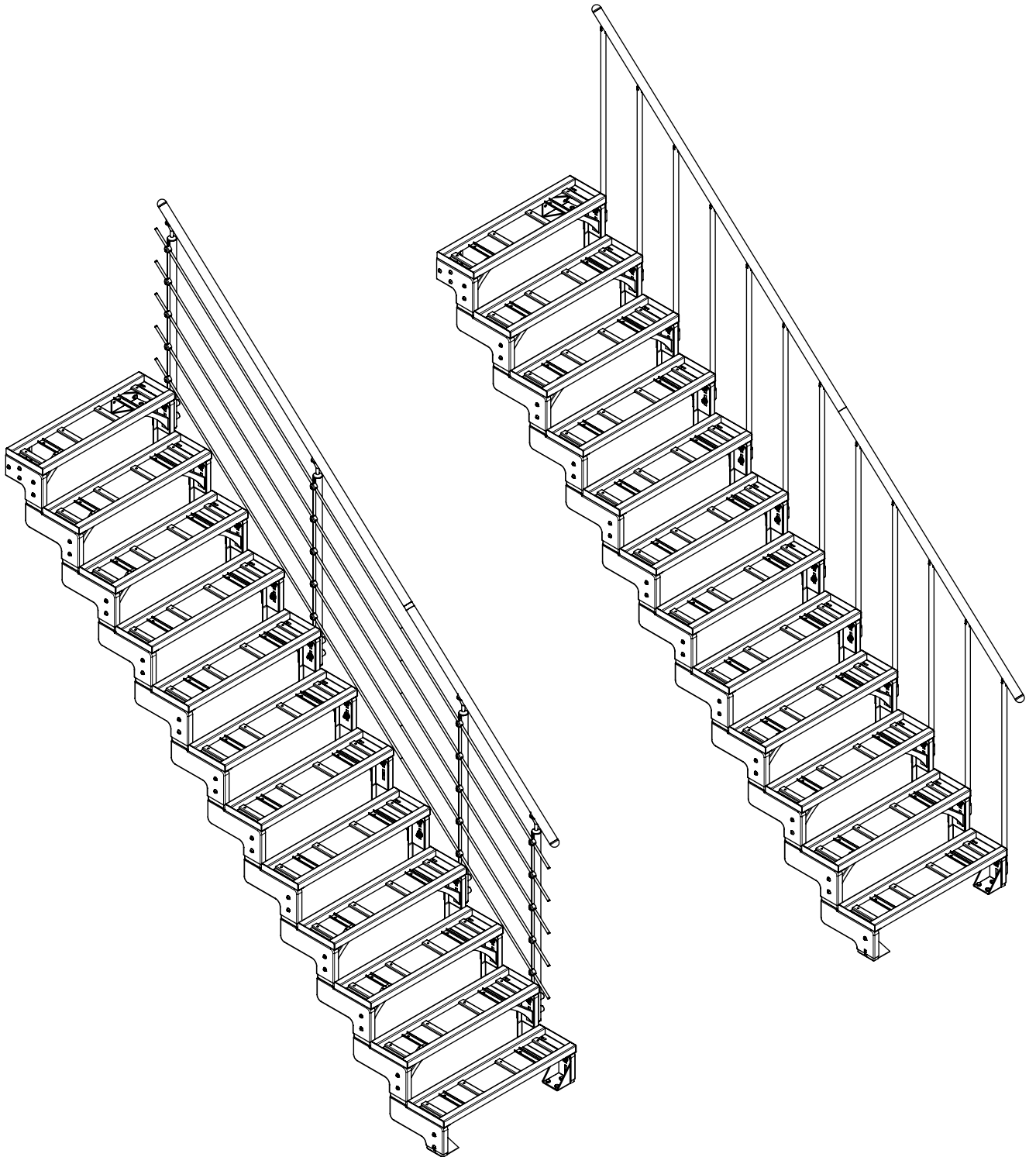


# GARDENTOP

## Einlege-Stufe Board tread

Montageanleitung  
Installation instruction



|  |  |  |  |   |  |
|--|--|--|--|---|--|
| <b>68015</b>   |  | <b>Starter-Set<br/>Start kit</b>                     |  |   |  |
| <p>(1) (2)</p> <p>× 1 K1-41931      × 1 K1-41930</p> |  | <p>(7) (8)</p> <p>× 1 K1-41911      × 1 K1-41910</p> |  | <p>(5)</p> <p>× 2 K2-41900</p>                |  |
| <p>(6)</p> <p>× 2 K1-41940</p>                       |  | <p>(40)</p> <p>× 14 K3-02045<br/>M10×25</p>          |  | <p>(41)</p> <p>× 2 K3-04110<br/>Ø10</p>       |  |
| <p>(42)</p> <p>× 8 K3-04198<br/>Ø10</p>              |  | <p>(43)</p> <p>× 14 K3-03051<br/>M10</p>             |  | <p>(44)</p> <p>× 12 K3-08001<br/>Ø12 x 60</p> |  |
| <p>(45)</p> <p>× 12 K3-06070<br/>Ø10 x 60</p>        |  | <p>(59)</p> <p>× 12 K3-06269<br/>Ø6 x 35</p>         |  | <p>(63)</p> <p>× 4 K3-05022<br/>M8 x 20</p>   |  |
| <p>(64)</p> <p>× 12 K3-04010<br/>Ø10,5</p>           |  |  |  |   |  |


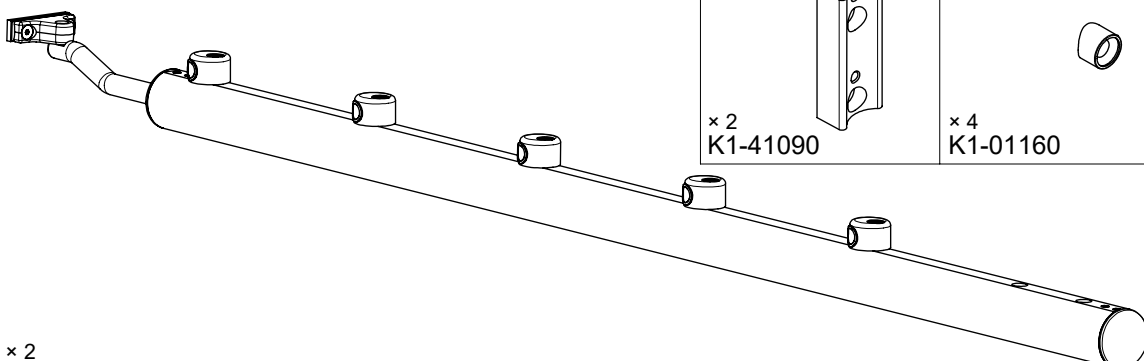


|  |  |  |  |   |  |
|--|--|--|--|---|--|
| <b>68016</b>   |  | <b>Ergänzungs-Set<br/>1 step kit</b>         |  |   |  |
| <p>(3) (4)</p> <p>× 1 K1-41921      × 1 K1-41920</p> |  | <p>(40)</p> <p>× 4 K3-02045<br/>M10 x 25</p> |  | <p>(42)</p> <p>× 4 K3-04198<br/>Ø10</p>     |  |
|  |  | <p>(43)</p> <p>× 4 K3-03051<br/>M10</p>      |  | <p>(59)</p> <p>× 6 K3-06269<br/>Ø6 x 35</p> |  |

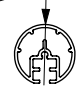
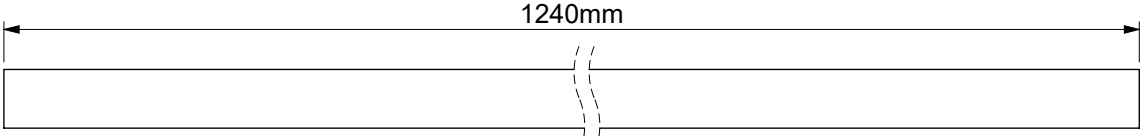
|   |  |  |   |
|---|--|--|---|
| <b>68020</b>                                    |  | <b>Stufen-Winkel<br/>Step support 1 step</b>   |   |
| <p>9 10</p> <p>x1 K1-41060      x1 K1-41061</p> | <p>If more than 6 steps:<br/>Add<br/>9 + 10</p> <p>Wenn mehr als 6 Stufen:<br/>9 + 10<br/>hinzufügen</p> <p>Max. 6 Satz   sets</p> | <p>40</p> <p>x 2<br/>K3-02045<br/>M10 x 25</p> | <p>43</p> <p>x 2<br/>K3-03051<br/>M10</p> |
|   |  | <p>59</p> <p>x 1<br/>K3-06269<br/>Ø6 x 35</p>  |   |


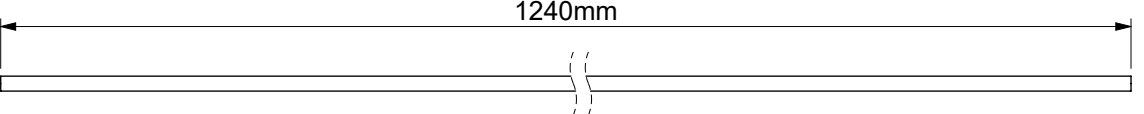
|   |  |   |   |
|---|--|---|---|
| <b>68031</b>  |  | <b>Steiggeländer für 6 Stufen<br/>Standard banister for 6 steps</b> |   |
| <p>14</p> <p>x 6<br/>K2-41052</p>                           | <p>15</p> <p>x 1<br/>K1-01221</p>        | <p>16</p> <p>x 6<br/>K1-02130</p>                                   | <p>17</p> <p>x 2<br/>K2-04040</p>             |
| <p>18</p> <p>1010mm      Ø 25mm</p> <p>x 6<br/>K1-41056</p> |  |   |   |
| <p>19</p> <p>Ø 40mm      2000mm</p> <p>x 1<br/>K1-01100</p> |  |   |   |
| <p>46</p> <p>x 6<br/>K3-01034<br/>M4 x 30</p>               | <p>47</p> <p>x 6<br/>K3-03004<br/>M4</p> | <p>48</p> <p>x 12<br/>K3-05006<br/>M6 x 8</p>                       | <p>53</p> <p>x 4<br/>K3-05050<br/>M5 x 12</p> |


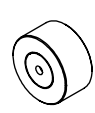
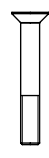

**68040**

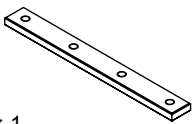



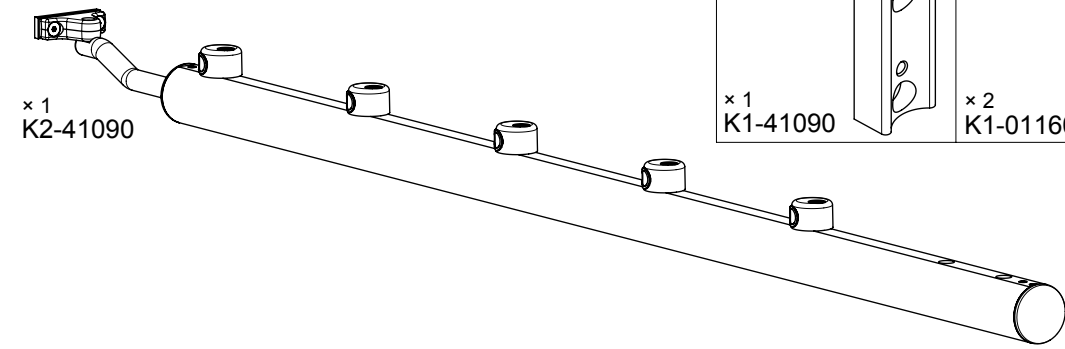
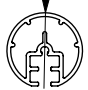
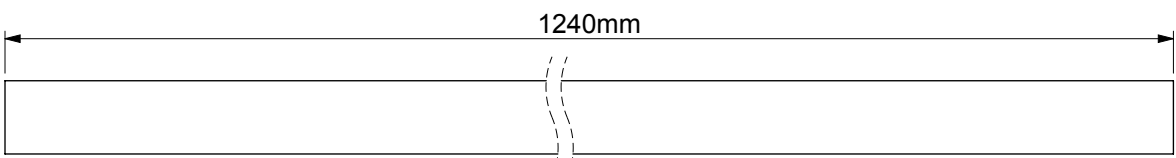

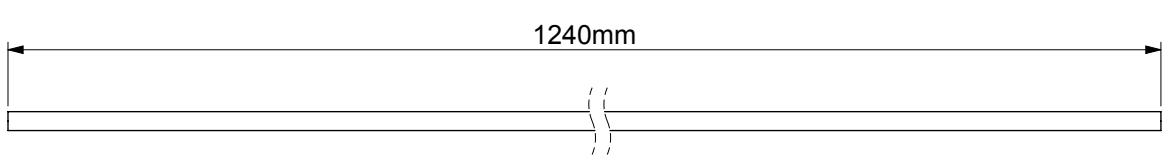

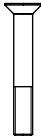


**Steiggeländer PROVA Starter-Set für 4 Stufen**  
**PROVA banister start for 4 steps**

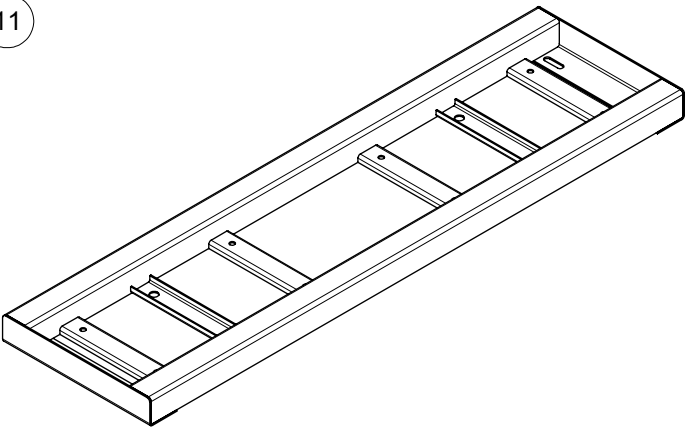



|   |  |   |   |
|---|--|---|---|
| <p>17</p>  <p>× 2<br/>K2-04040</p> | <p>20</p>  <p>× 2<br/>K2-41090</p> | <p>21</p>  <p>× 2<br/>K1-41090</p> | <p>22</p>  <p>× 4<br/>K1-01160</p> |
|---|--|---|---|

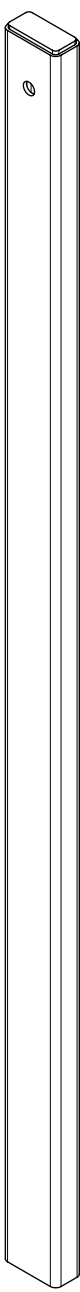
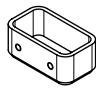
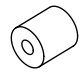


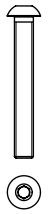



|   |  |
|---|--|
| <p>26</p> <p>∅ 40mm</p>  <p>× 1<br/>K1-01107</p> | <p>1240mm</p>  |
|---|--|

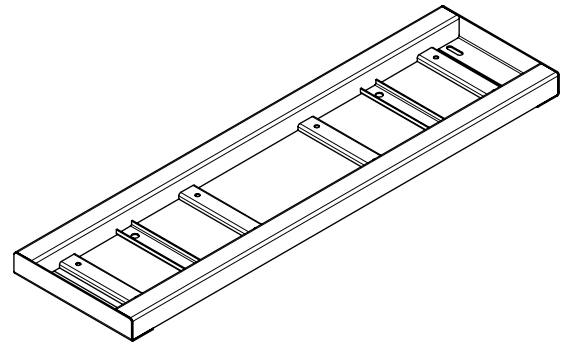
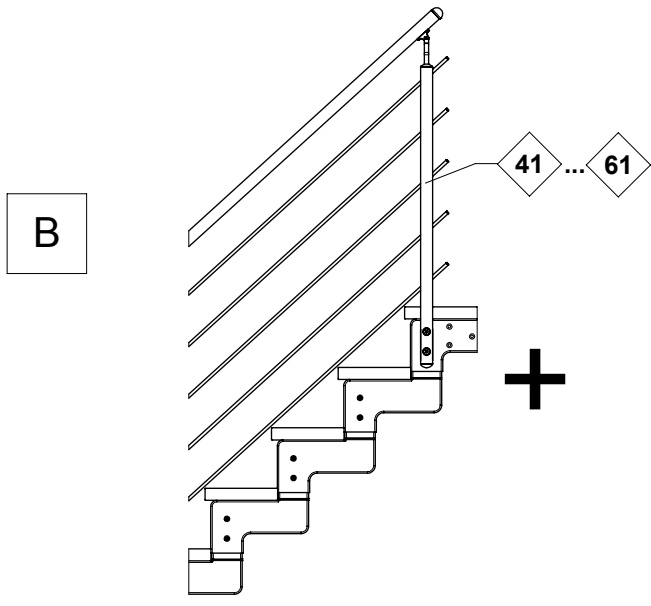
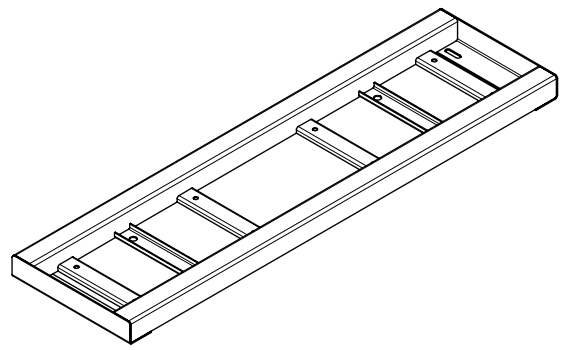
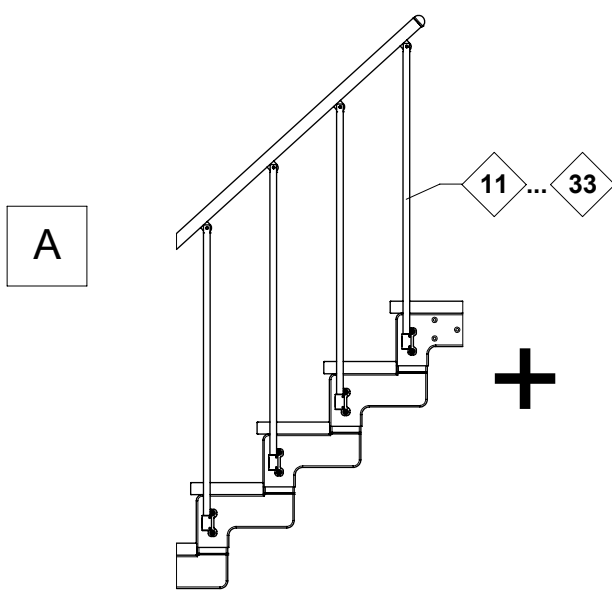
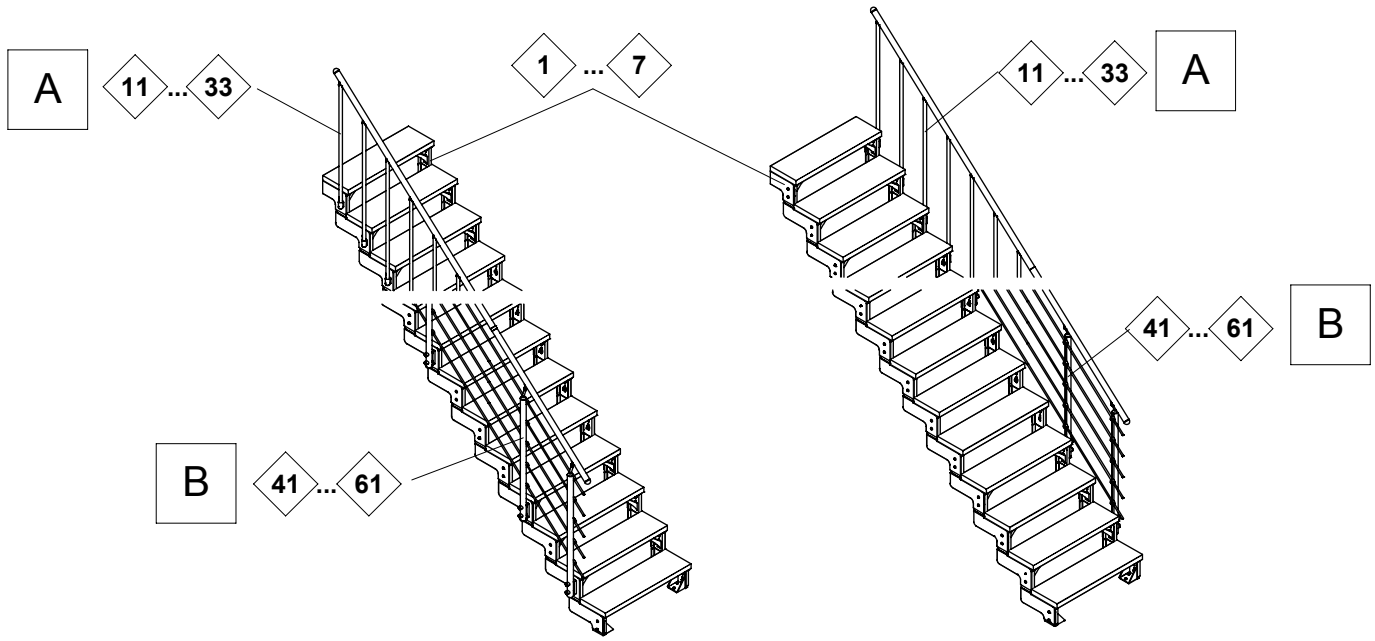
|   |  |
|---|--|
| <p>27</p> <p>∅ 10mm</p>  <p>× 5<br/>K1-18060</p> | <p>1240mm</p>  |
|---|--|

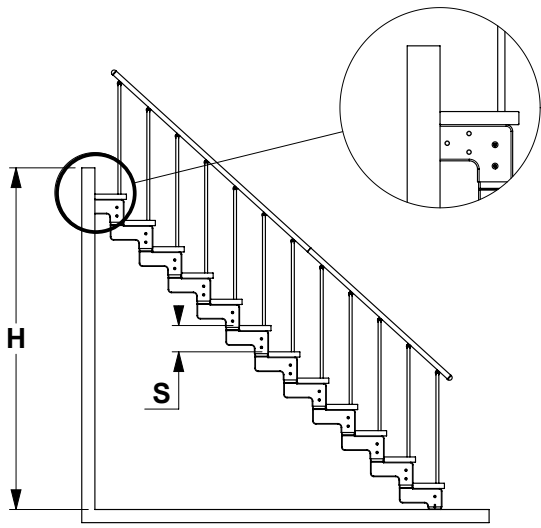
|  |  |   |
|--|--|---|
| <p>28</p>  <p>× 10<br/>K1-01010</p> | <p>29</p>  <p>× 1<br/>K2-14930</p> | <p>51</p>  <p>× 4<br/>K3-02010<br/>M10 x 70</p>  |
|--|--|---|

|   |  |   |   |
|---|--|---|---|
| <b>68041</b>  |  | <b>Steiggeländer PROVA Ergänzungs-Set für 4 Stufen</b><br><i>PROVA banister extension for 4 steps</i>                             |   |
| <p>15</p>  <p>× 1<br/>K1-01221</p>    | <p>20</p>  <p>× 1<br/>K2-41090</p>              | <p>21</p>  <p>× 1<br/>K1-41090</p>             | <p>22</p>  <p>× 2<br/>K1-01160</p>         |
|                                     |  |   |   |
| <p>26</p>  <p>× 1<br/>K1-01107</p>   | <p>Ø 40mm</p> <p>1240mm</p>                    |   |   |
| <p>27</p>  <p>× 5<br/>K1-18060</p>   | <p>Ø 10mm</p> <p>1240mm</p>                    |   |   |
| <p>29</p>  <p>× 1<br/>K2-14930</p> | <p>51</p>  <p>× 2<br/>K3-02010<br/>M10×70</p> | <p>53</p>  <p>× 5<br/>K3-05050<br/>M5 x 12</p> | <p>54</p>  <p>× 5<br/>K3-08023<br/>Ø8</p> |

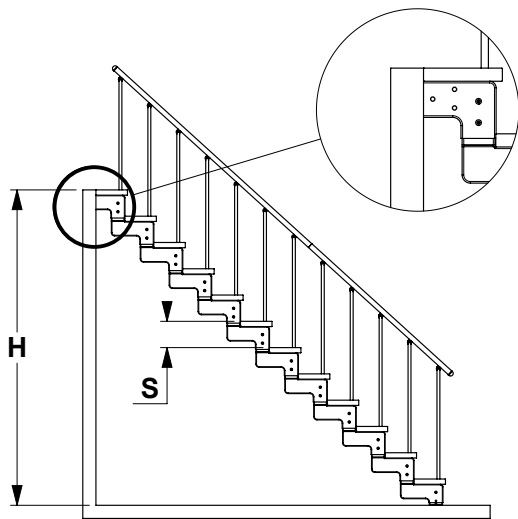
|   |  |   |  |                       |  |
|---|--|---|--|-----------------------|--|
| <b>68080 / 68081</b>  |  | <b>Einlege-Stufe</b><br><i>Board tread</i>  |  | <b>80 cm / 100 cm</b> |  |
| <p>11</p>  | <p>56</p>  <p>× 4<br/>K3-03046<br/>M6</p> | <p>58</p>  <p>× 4<br/>K3-02220<br/>M6×20</p> | <p>65</p>  <p>× 4<br/>K3-04016<br/>Ø6</p> |                       |  |

| <b>68098</b>   |  | <i>Unterstützung<br/>Support</i>  |   |   | <b>OPTION</b>  |
|--|--|---|---|---|--|
| <p>(24) </p> <p>× 1<br/>K1-41950</p> | <p>(26) </p> <p>× 1<br/>K1-41955</p>            | <p>(27) </p> <p>× 1<br/>K1-41956</p>             | <p>(41) </p> <p>× 1<br/>K3-04110<br/>Ø10</p>     | <p>(43) </p> <p>× 1<br/>K3-03051<br/>M10</p> | <p>(52) </p> <p>× 1<br/>K3-02375<br/>M10 x 75</p> |
|  | <p>(53) </p> <p>× 2<br/>K3-05007<br/>M5 x 5</p> | <p>(54) </p> <p>× 1<br/>K3-08002<br/>Ø8 x 40</p> | <p>(55) </p> <p>× 1<br/>K3-06032<br/>Ø6 x 60</p> |   |  |

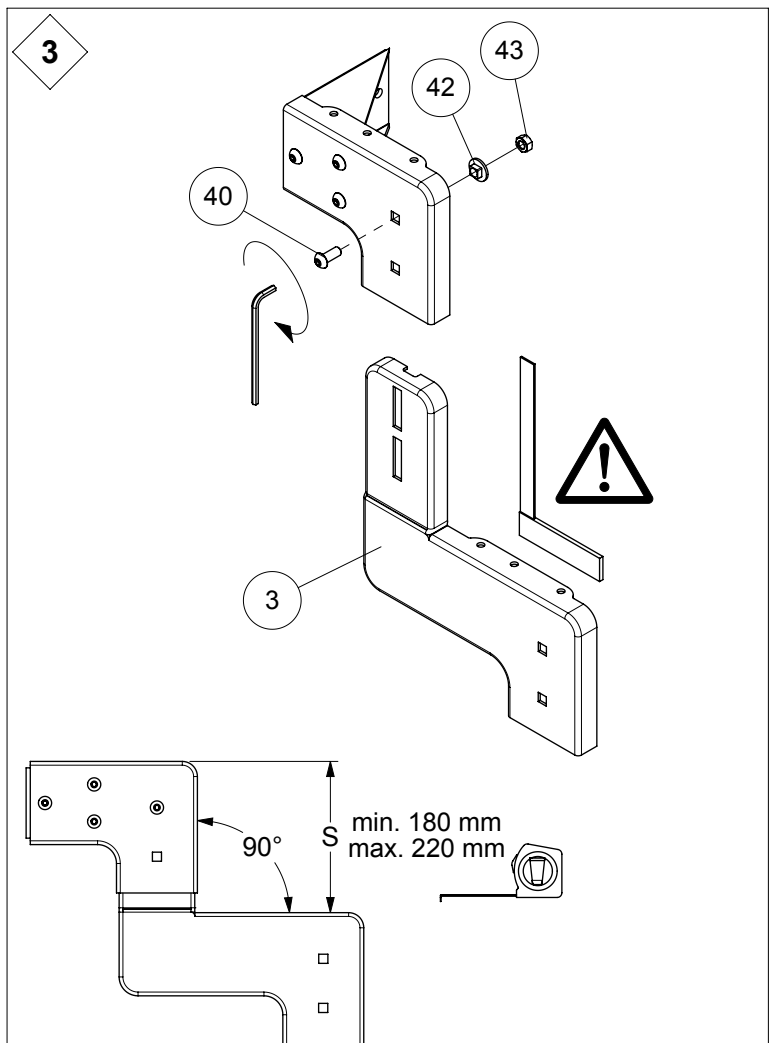
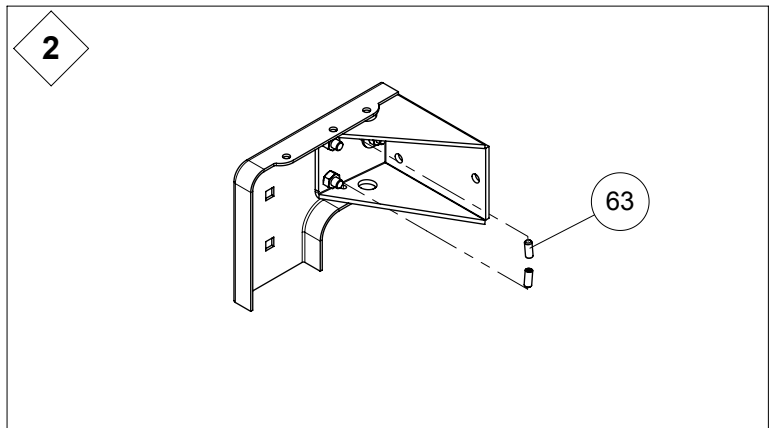
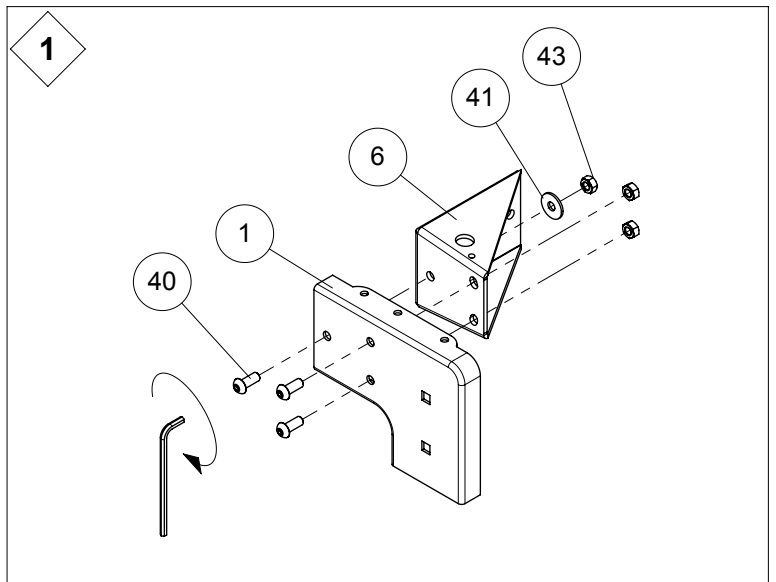




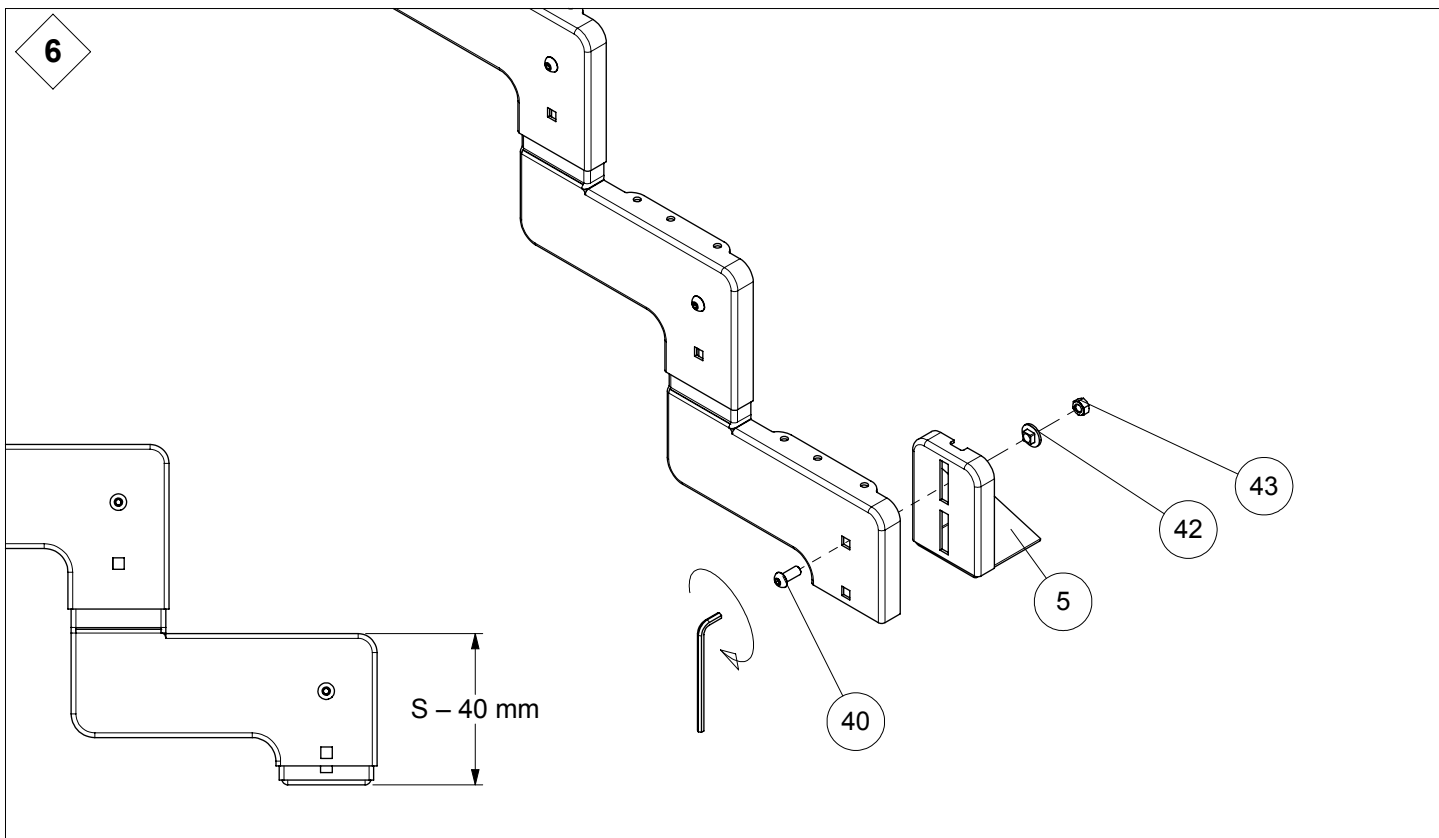
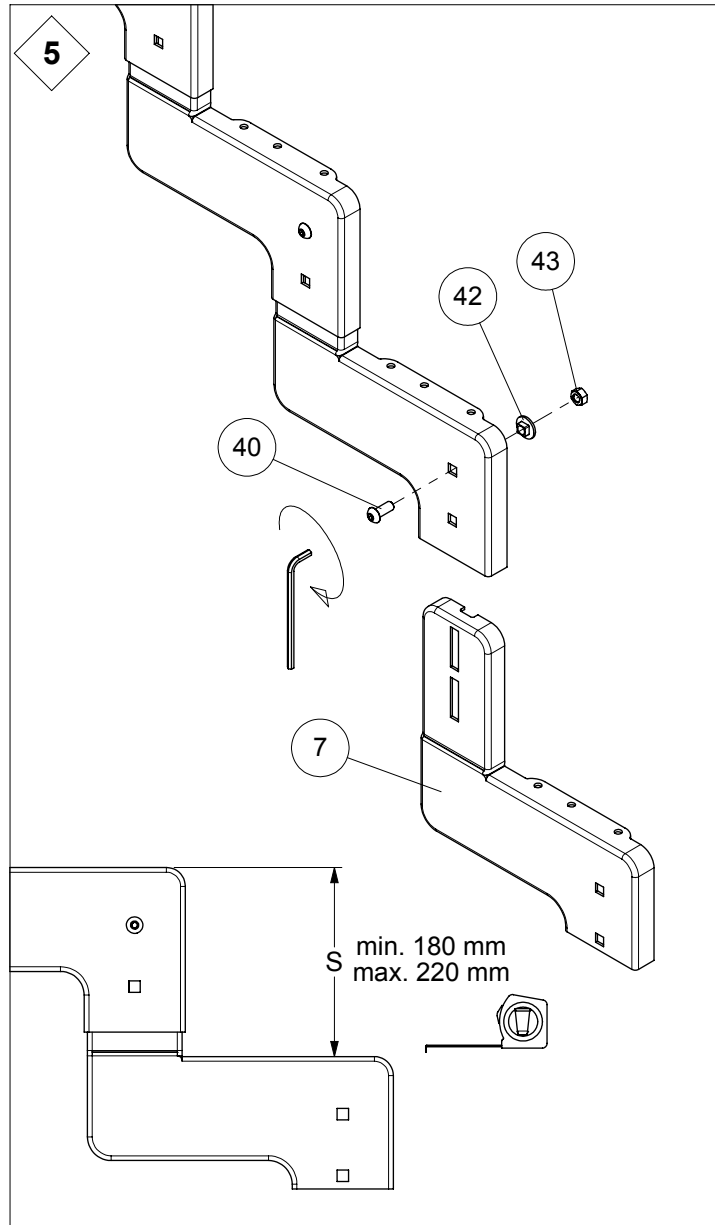
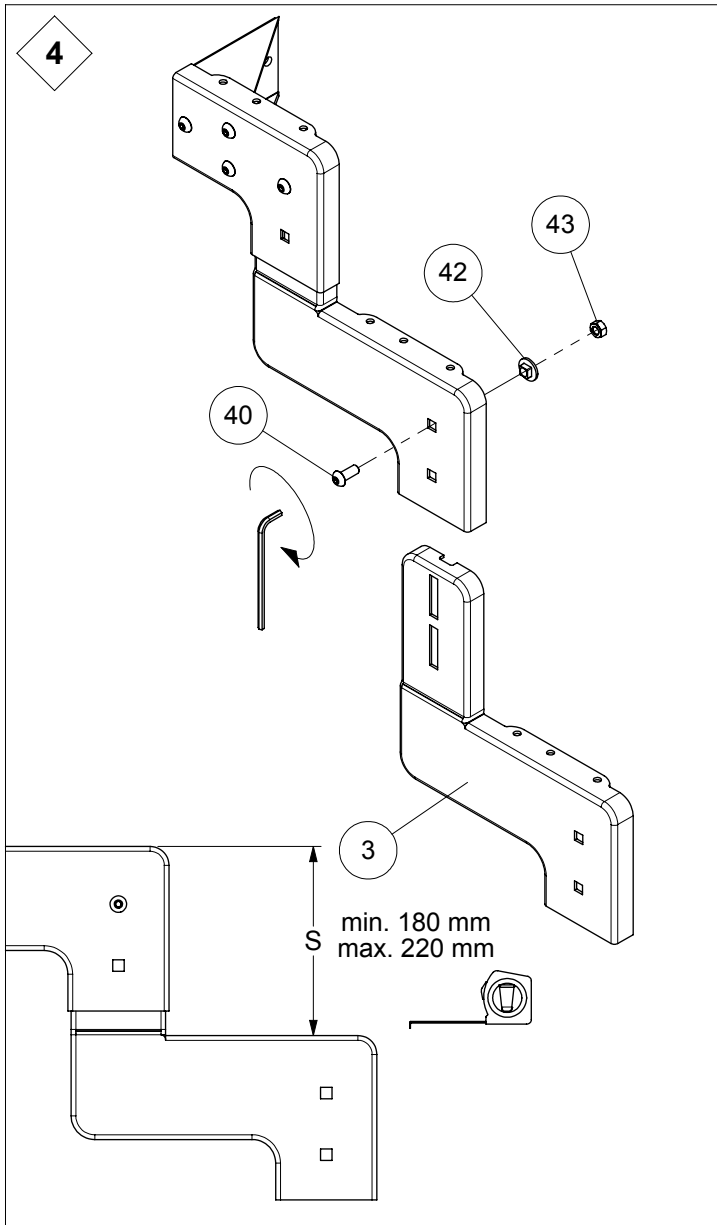
| H  | S    |      |      |      |      |
|----|------|------|------|------|------|
|    | 180  | 190  | 200  | 210  | 220  |
|    | mm   | mm   | mm   | mm   | mm   |
| 2  | 540  | 570  | 600  | 630  | 660  |
| 3  | 720  | 760  | 800  | 840  | 880  |
| 4  | 900  | 950  | 1000 | 1050 | 1100 |
| 5  | 1080 | 1140 | 1200 | 1260 | 1320 |
| 6  | 1260 | 1330 | 1400 | 1470 | 1540 |
| 7  | 1440 | 1520 | 1600 | 1680 | 1760 |
| 8  | 1620 | 1710 | 1800 | 1890 | 1980 |
| 9  | 1800 | 1900 | 2000 | 2100 | 2200 |
| 10 | 1980 | 2090 | 2200 | 2310 | 2420 |
| 11 | 2160 | 2280 | 2400 | 2520 | 2640 |
| 12 | 2340 | 2470 | 2600 | 2730 | 2860 |

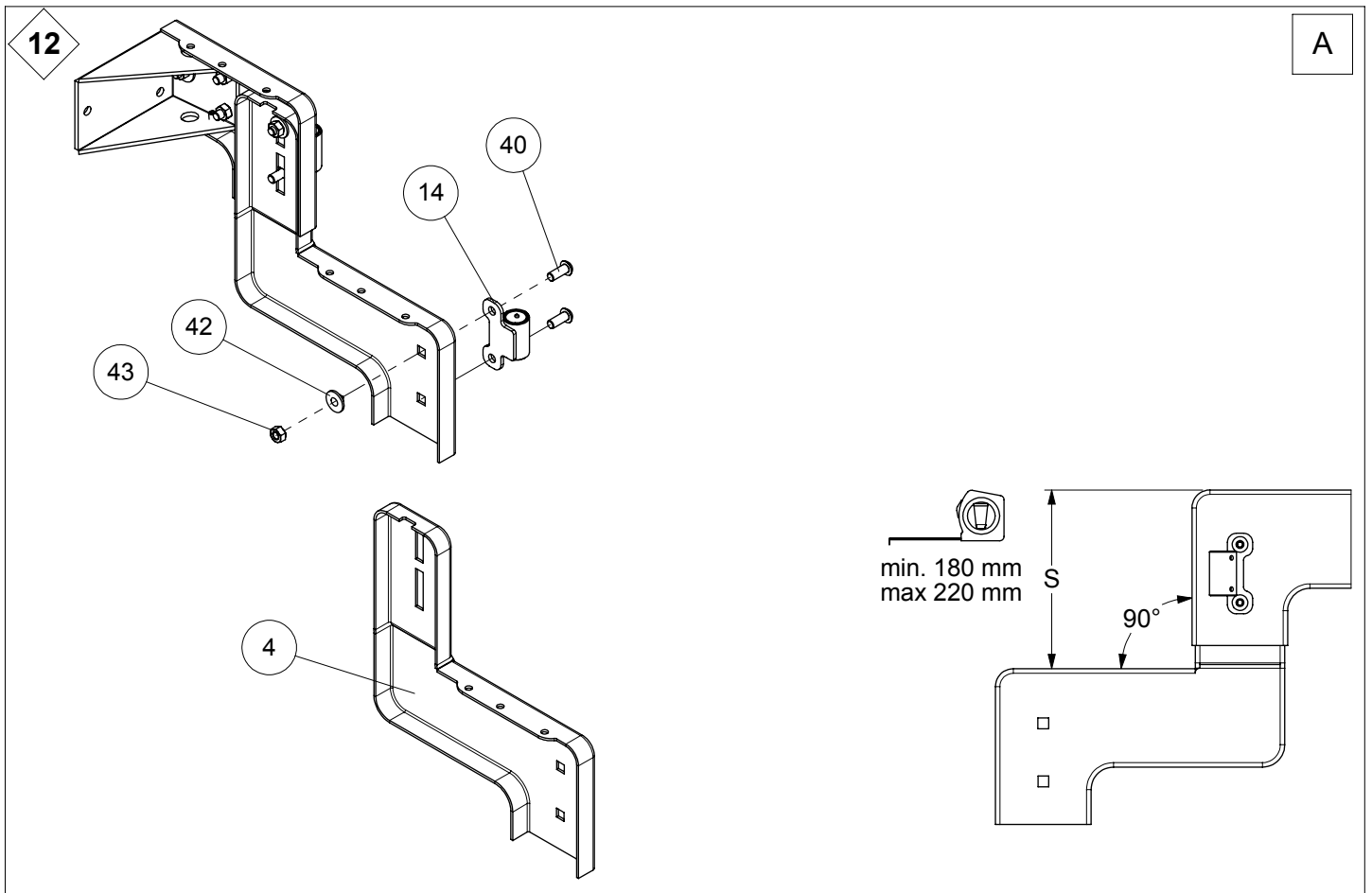
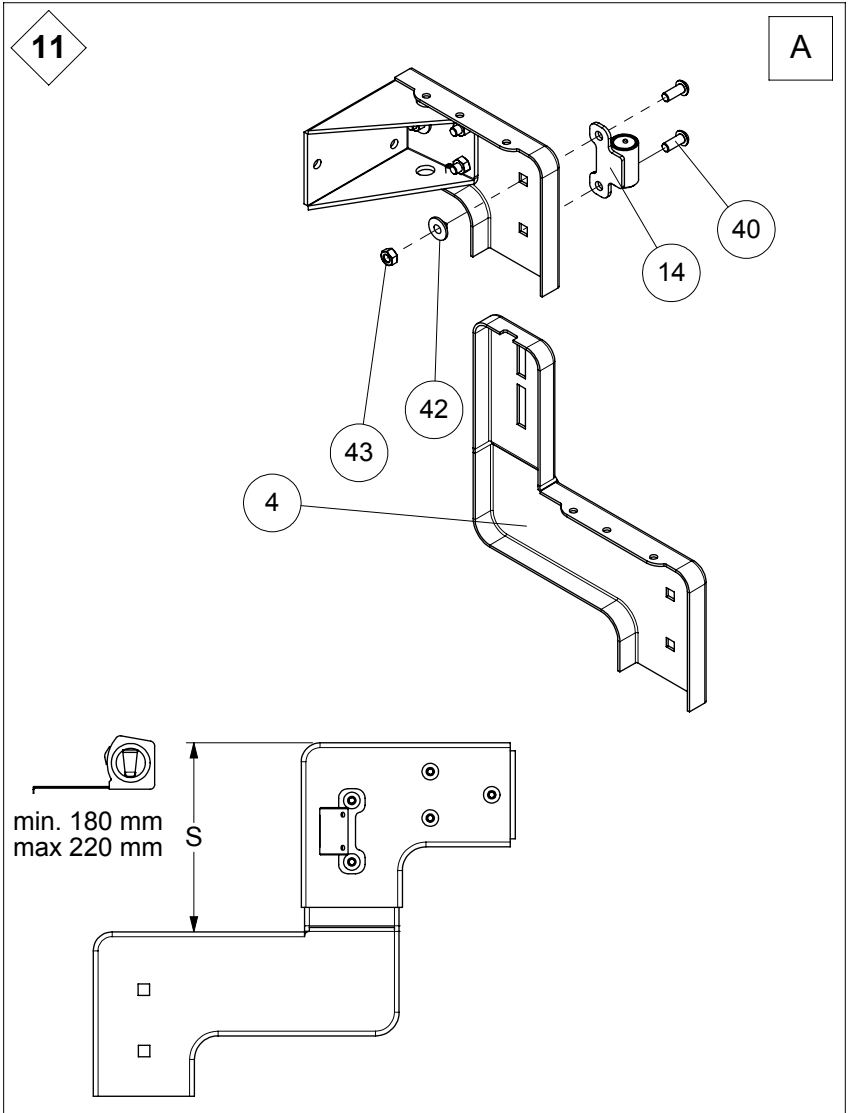
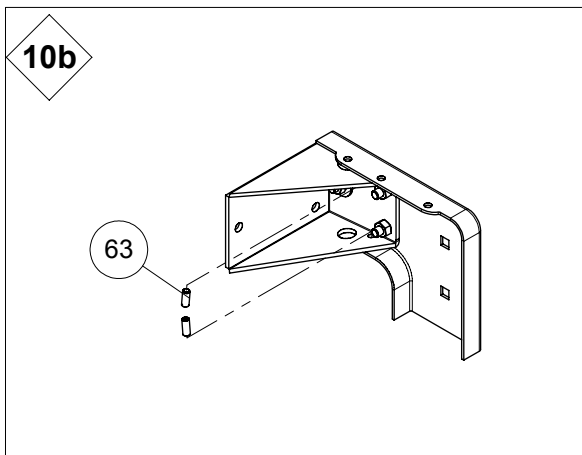
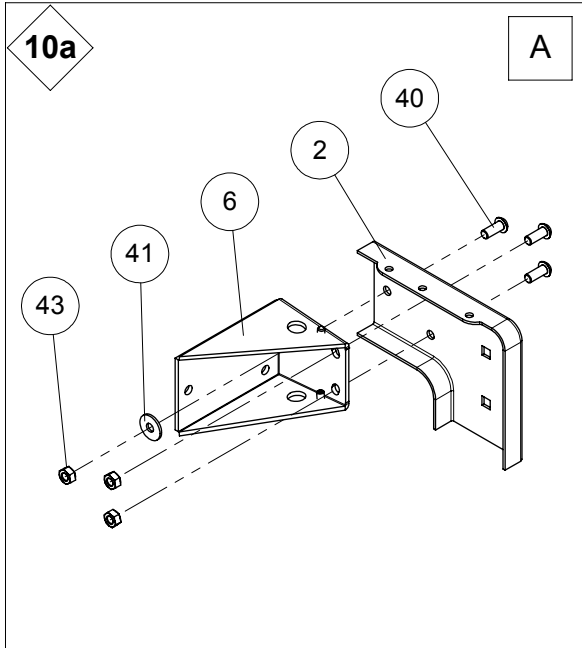


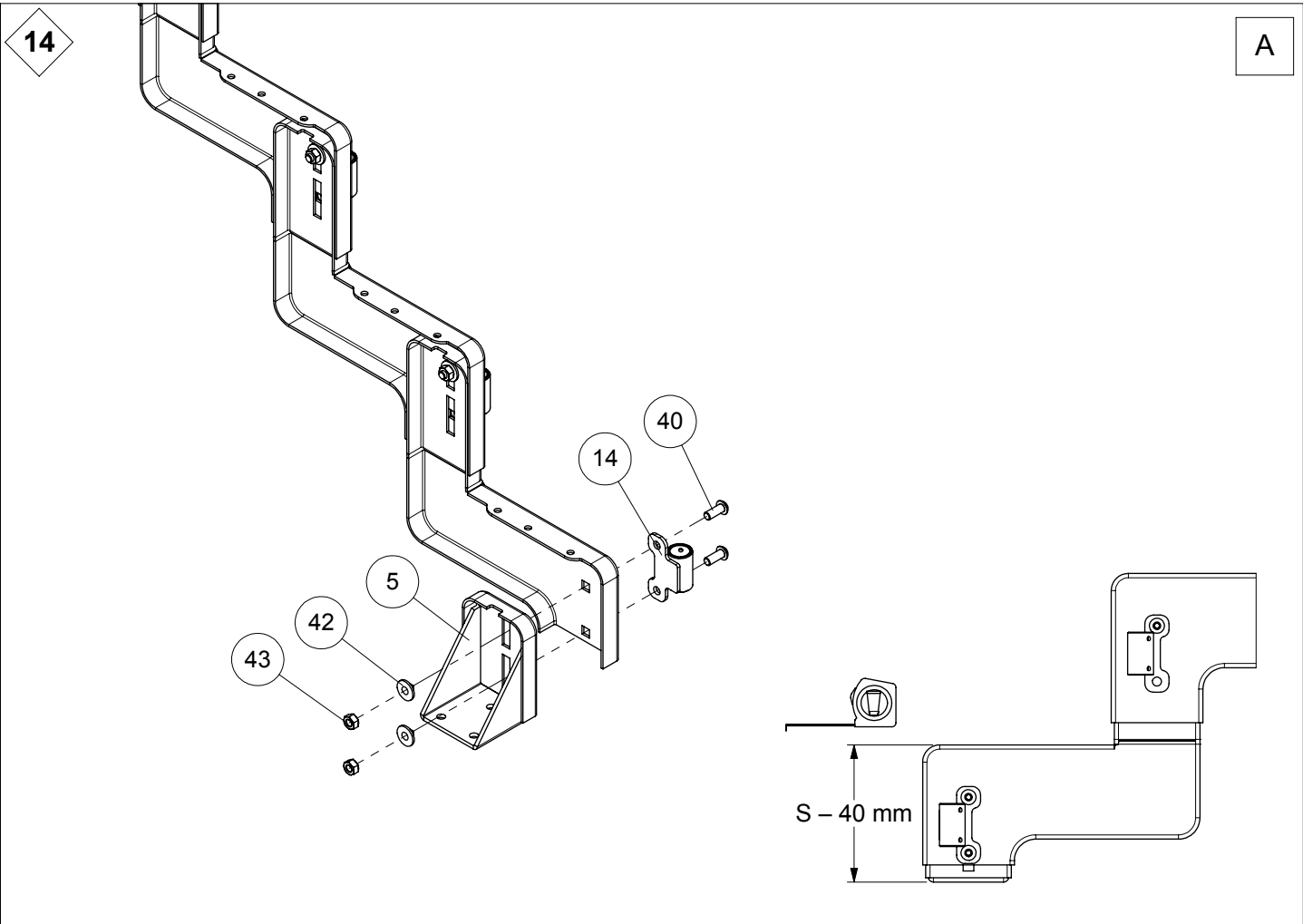
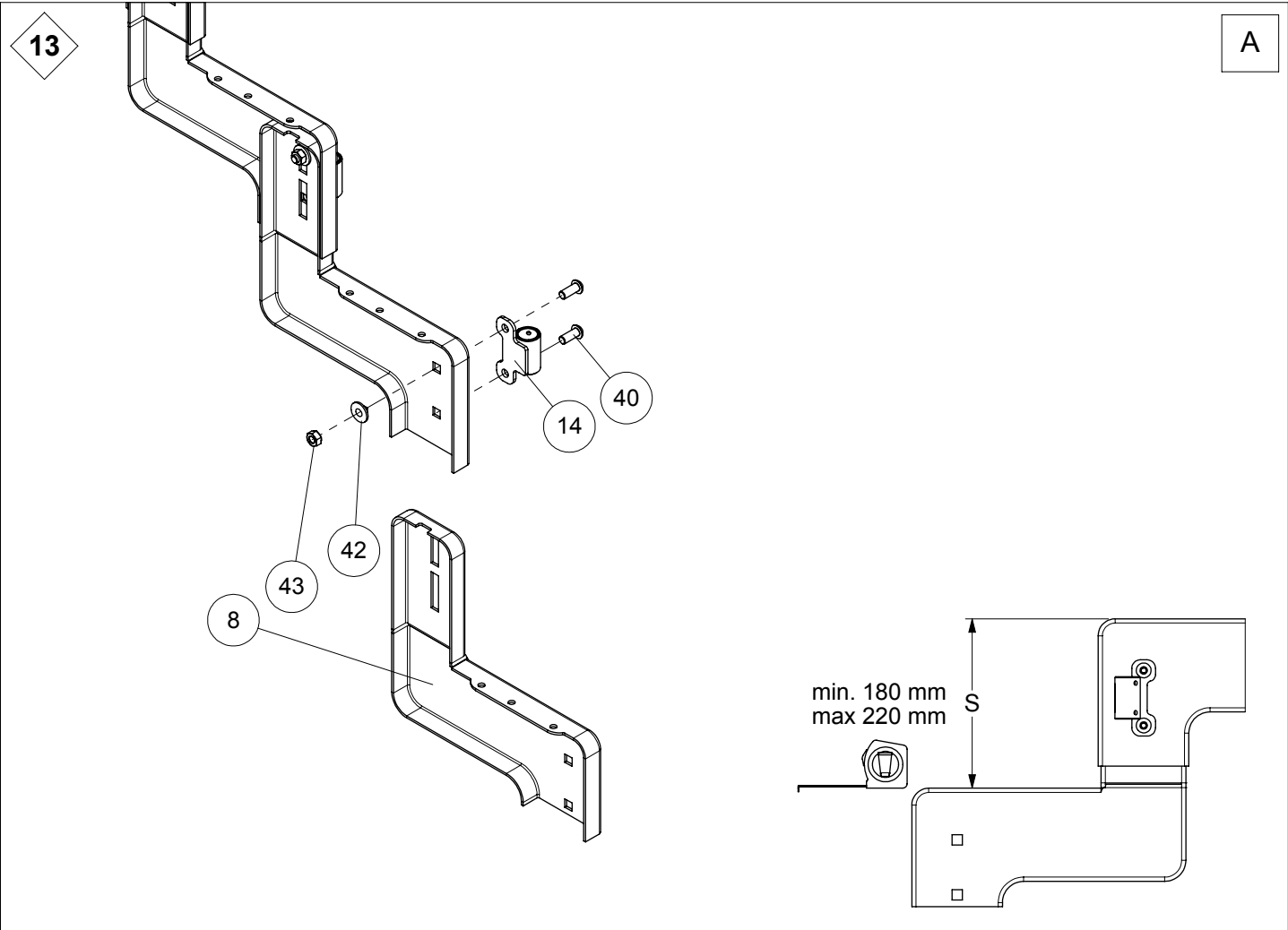
| H  | S    |      |      |      |      |
|----|------|------|------|------|------|
|    | 180  | 190  | 200  | 210  | 220  |
|    | mm   | mm   | mm   | mm   | mm   |
| 2  | 360  | 380  | 400  | 420  | 440  |
| 3  | 540  | 570  | 600  | 630  | 660  |
| 4  | 720  | 760  | 800  | 840  | 880  |
| 5  | 900  | 950  | 1000 | 1050 | 1100 |
| 6  | 1080 | 1140 | 1200 | 1260 | 1320 |
| 7  | 1260 | 1330 | 1400 | 1470 | 1540 |
| 8  | 1440 | 1520 | 1600 | 1680 | 1760 |
| 9  | 1620 | 1710 | 1800 | 1890 | 1980 |
| 10 | 1800 | 1900 | 2000 | 2100 | 2200 |
| 11 | 1980 | 2090 | 2200 | 2310 | 2420 |
| 12 | 2160 | 2280 | 2400 | 2520 | 2640 |





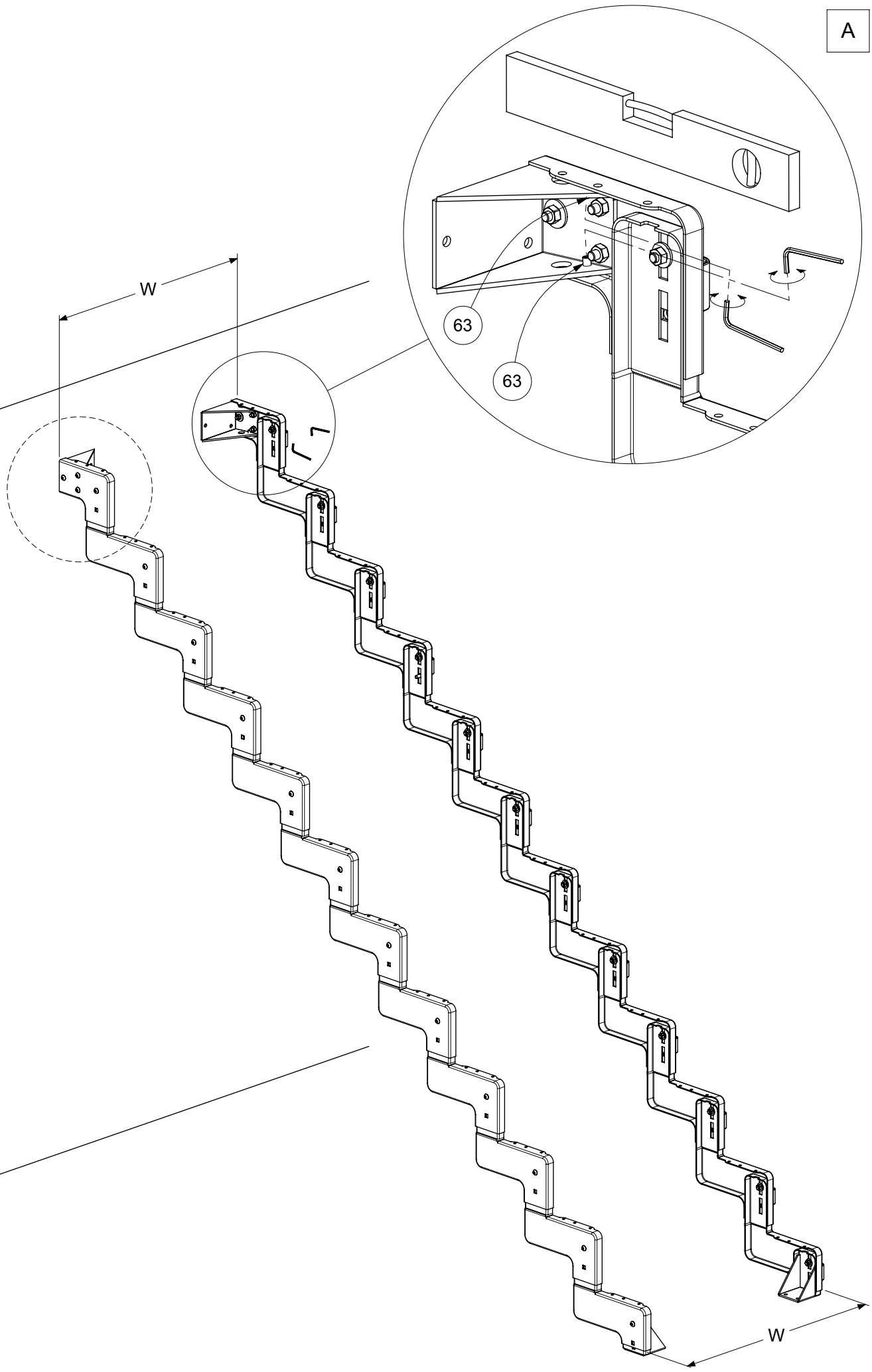






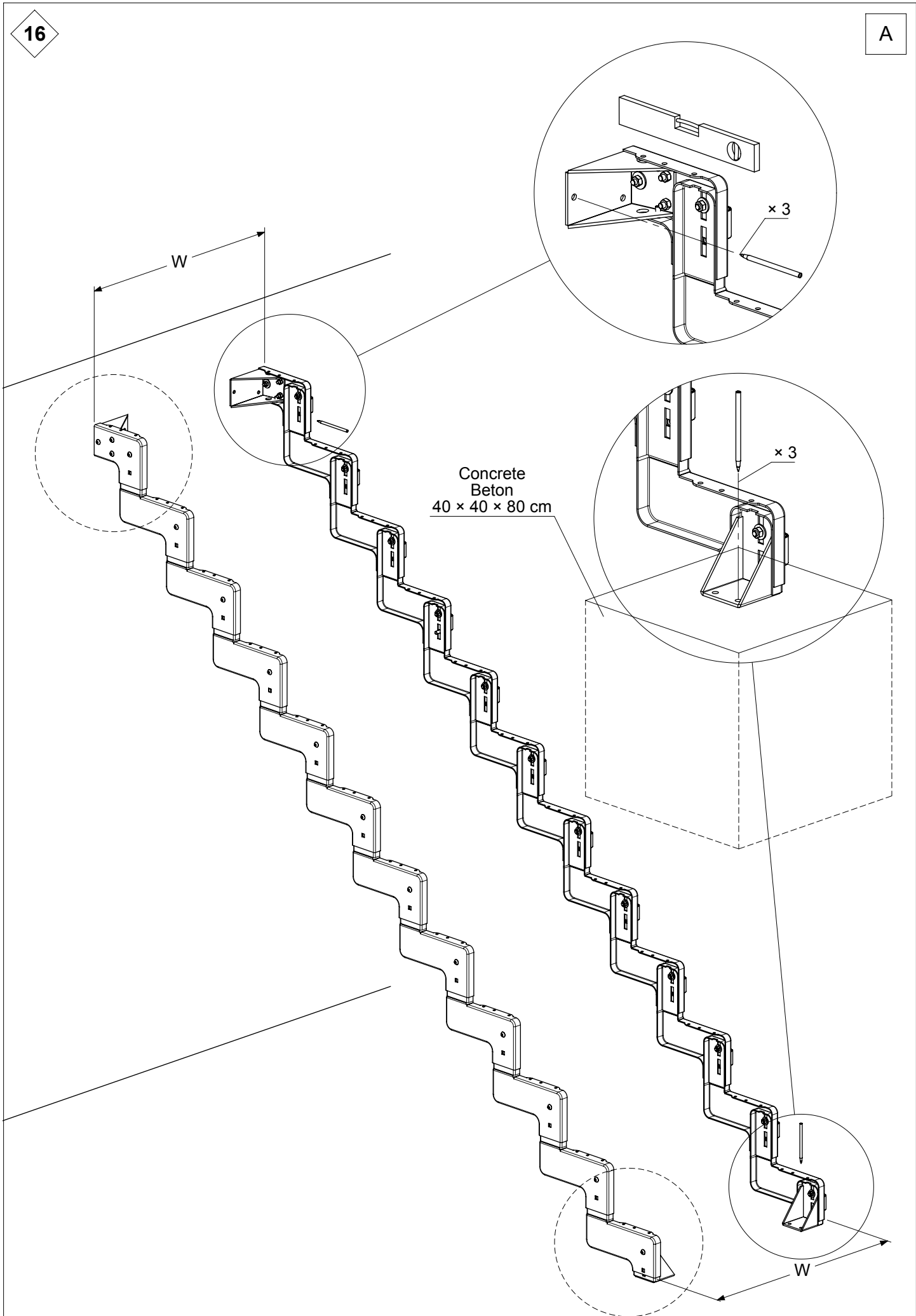
15

A



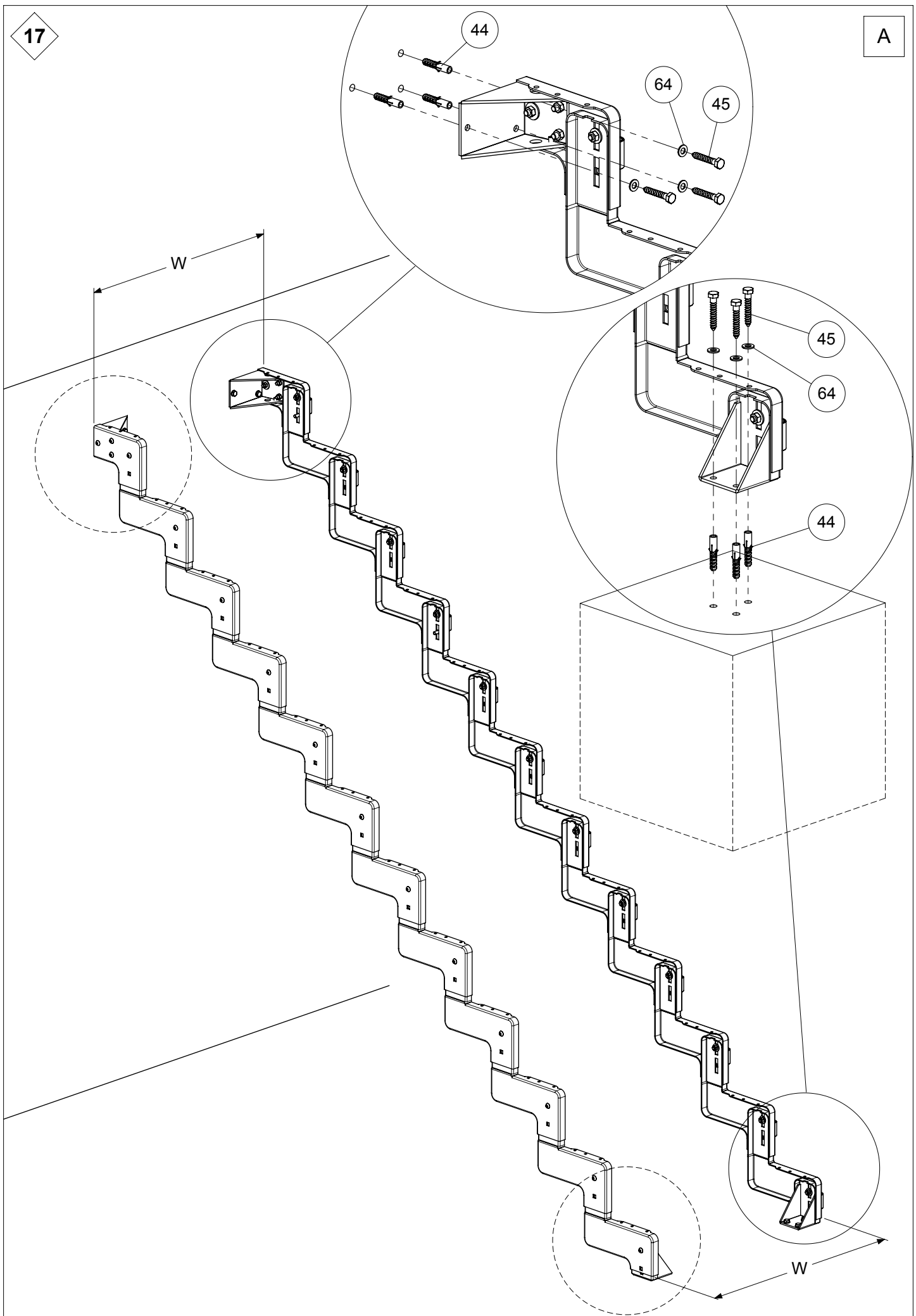
16

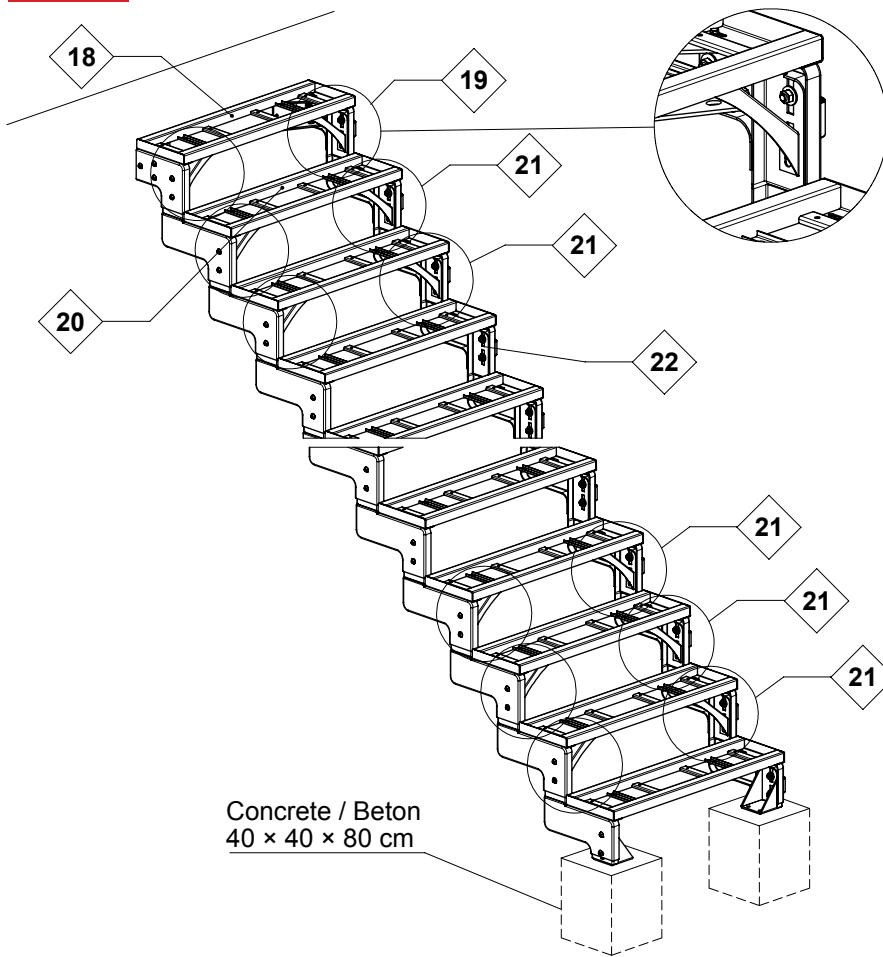
A




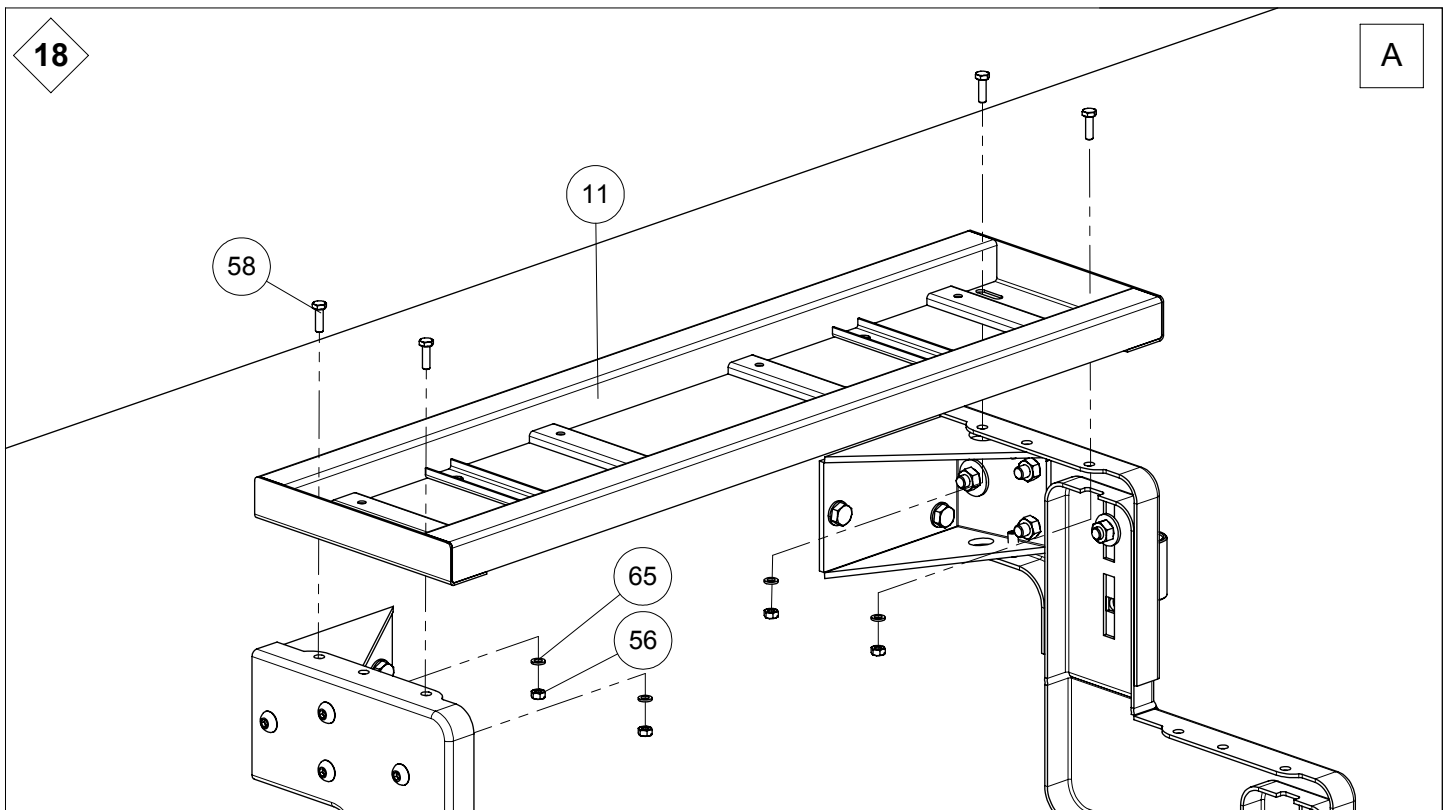
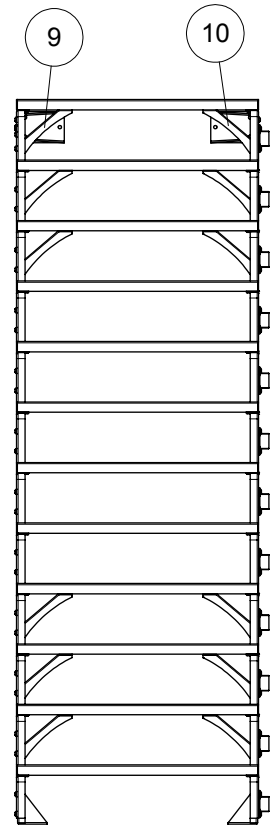
17

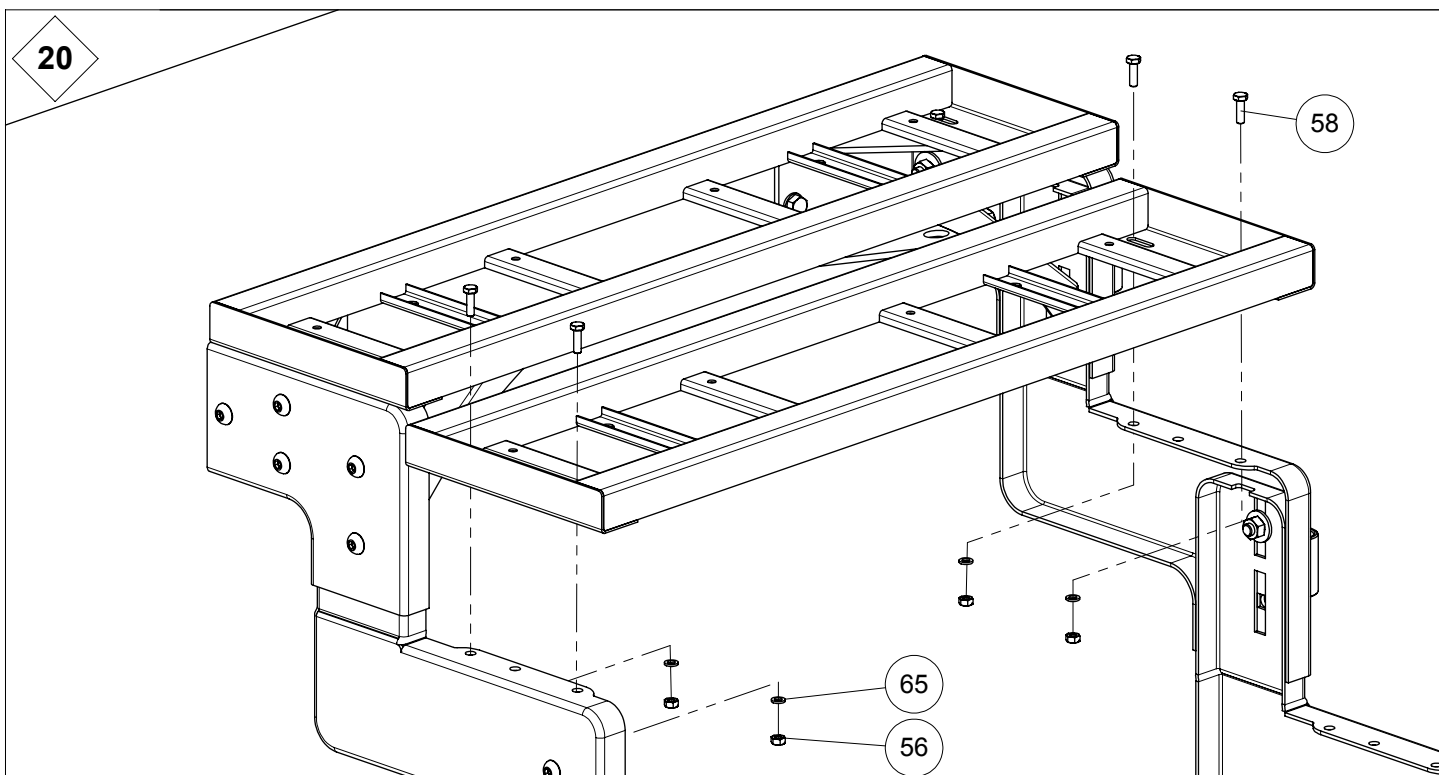
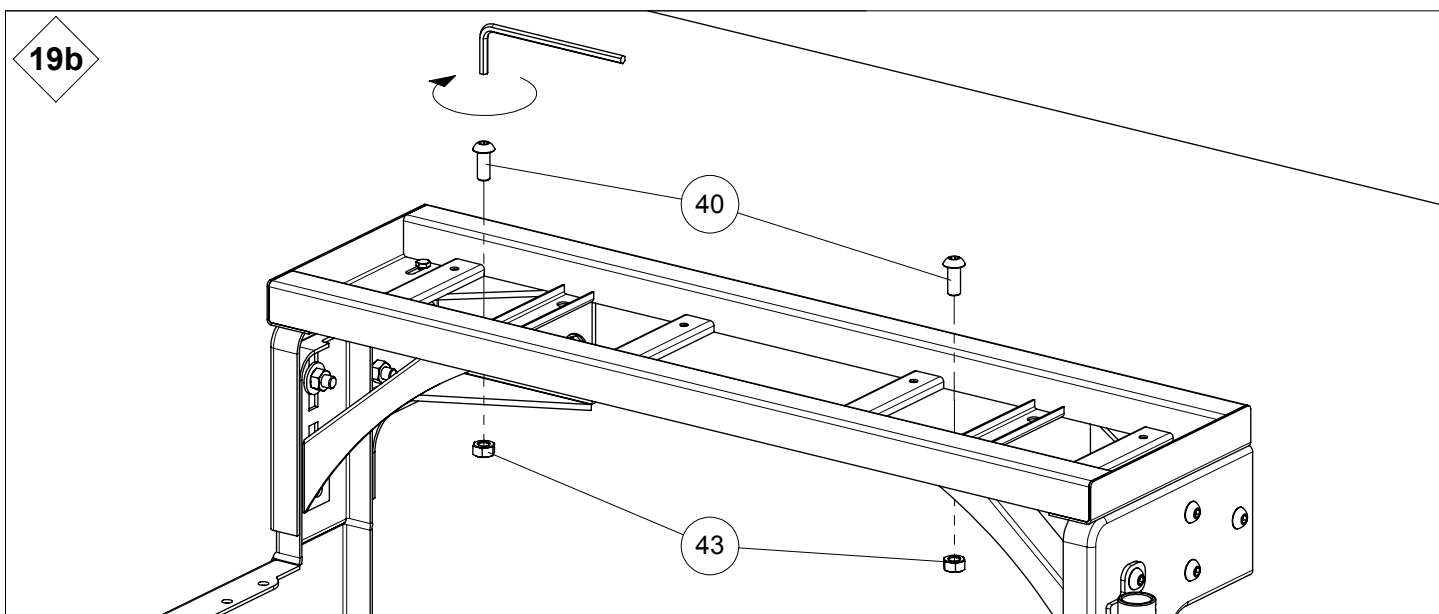
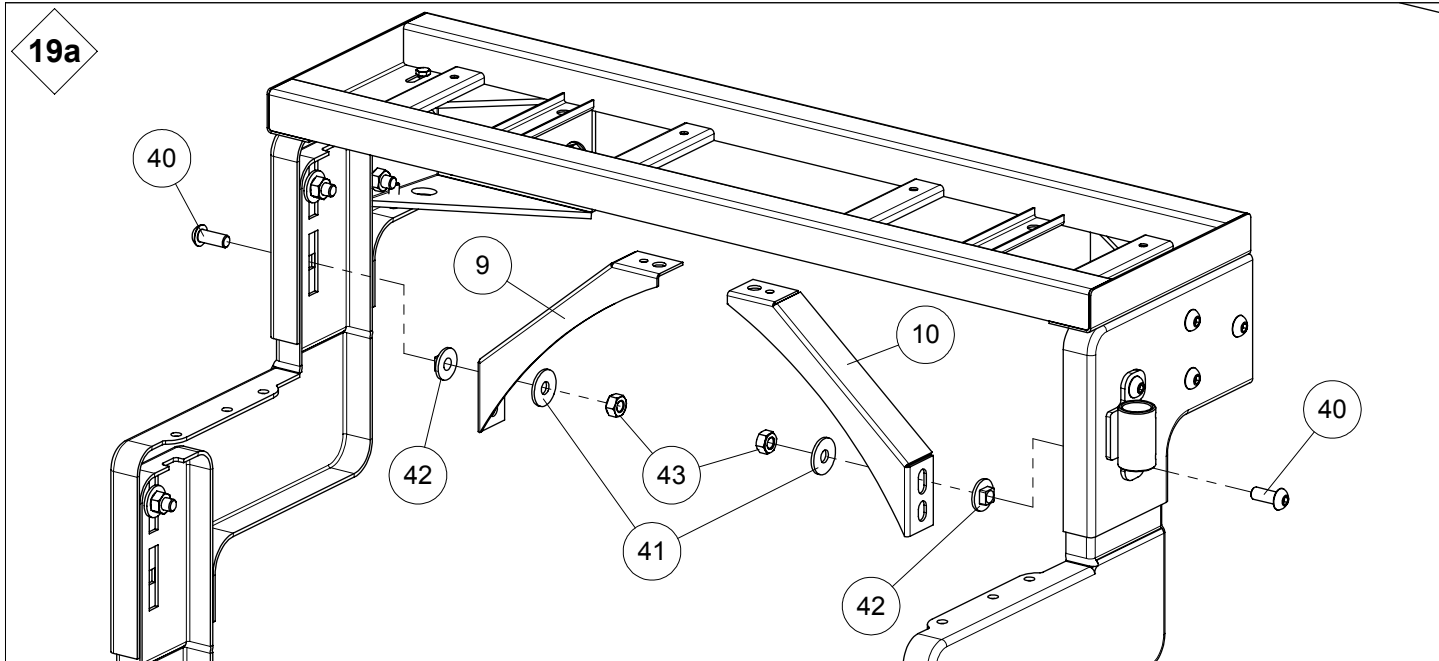
A



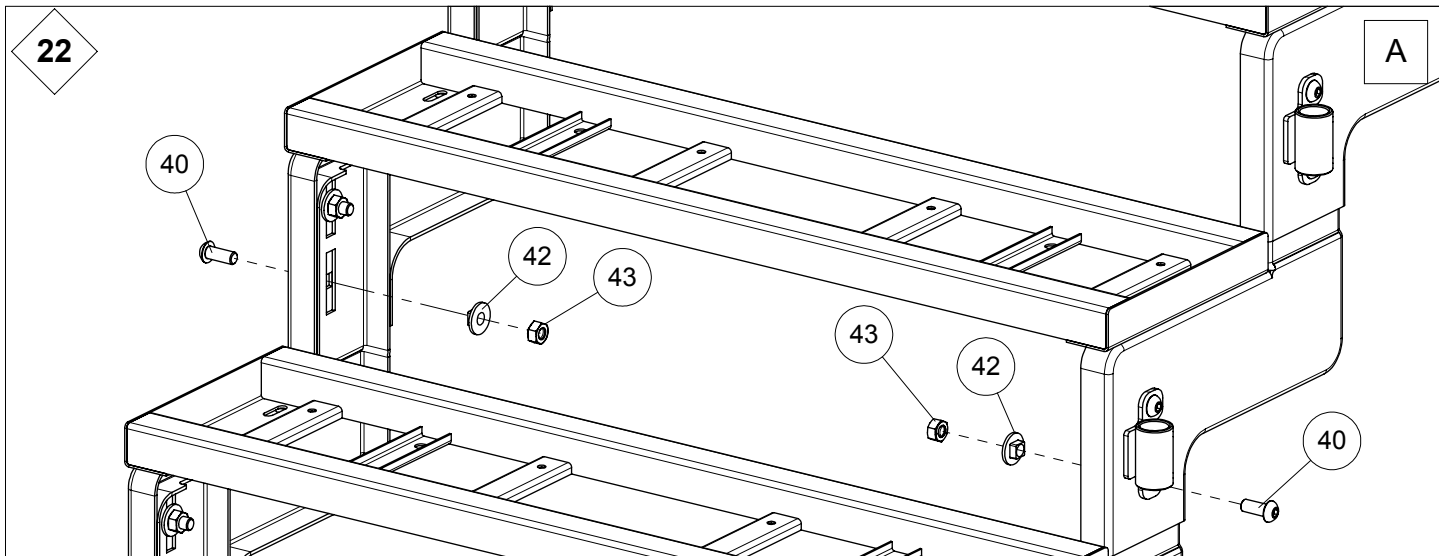
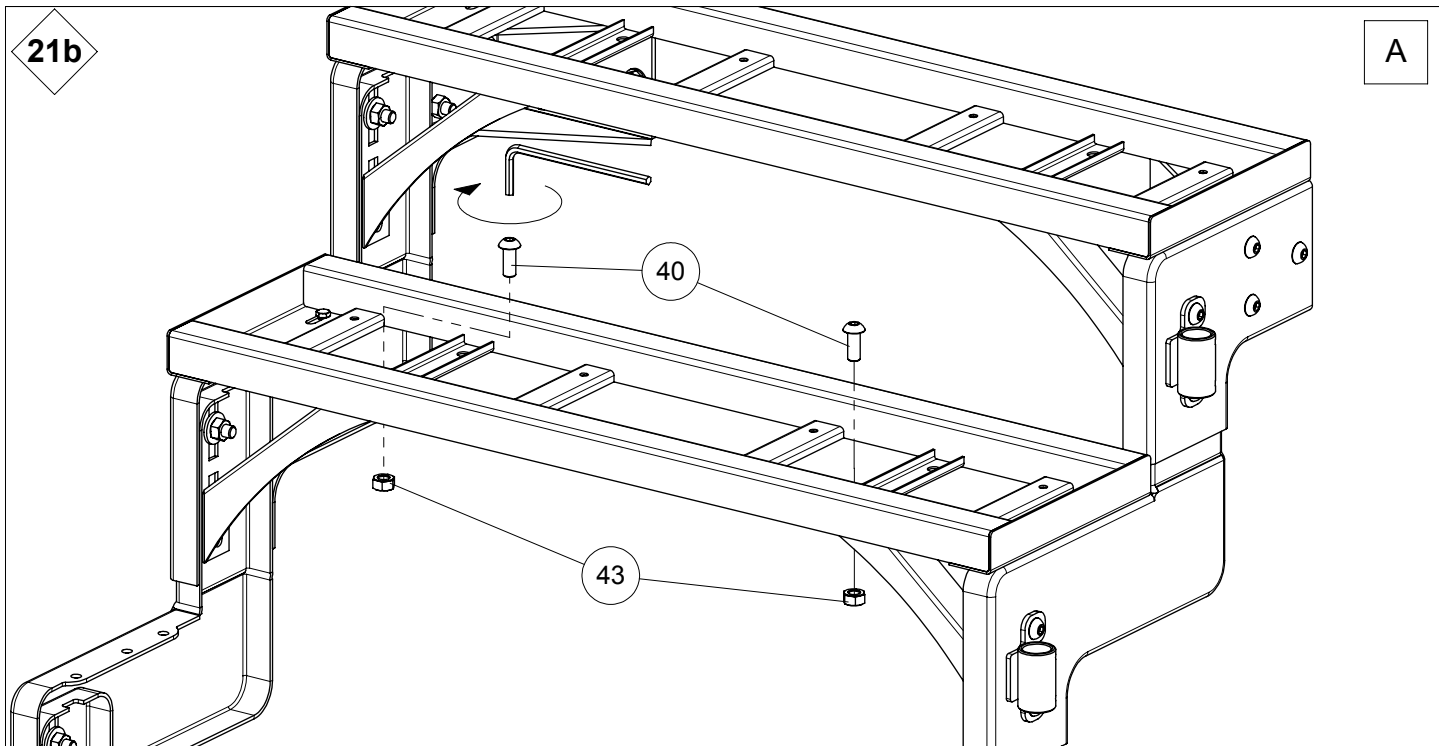
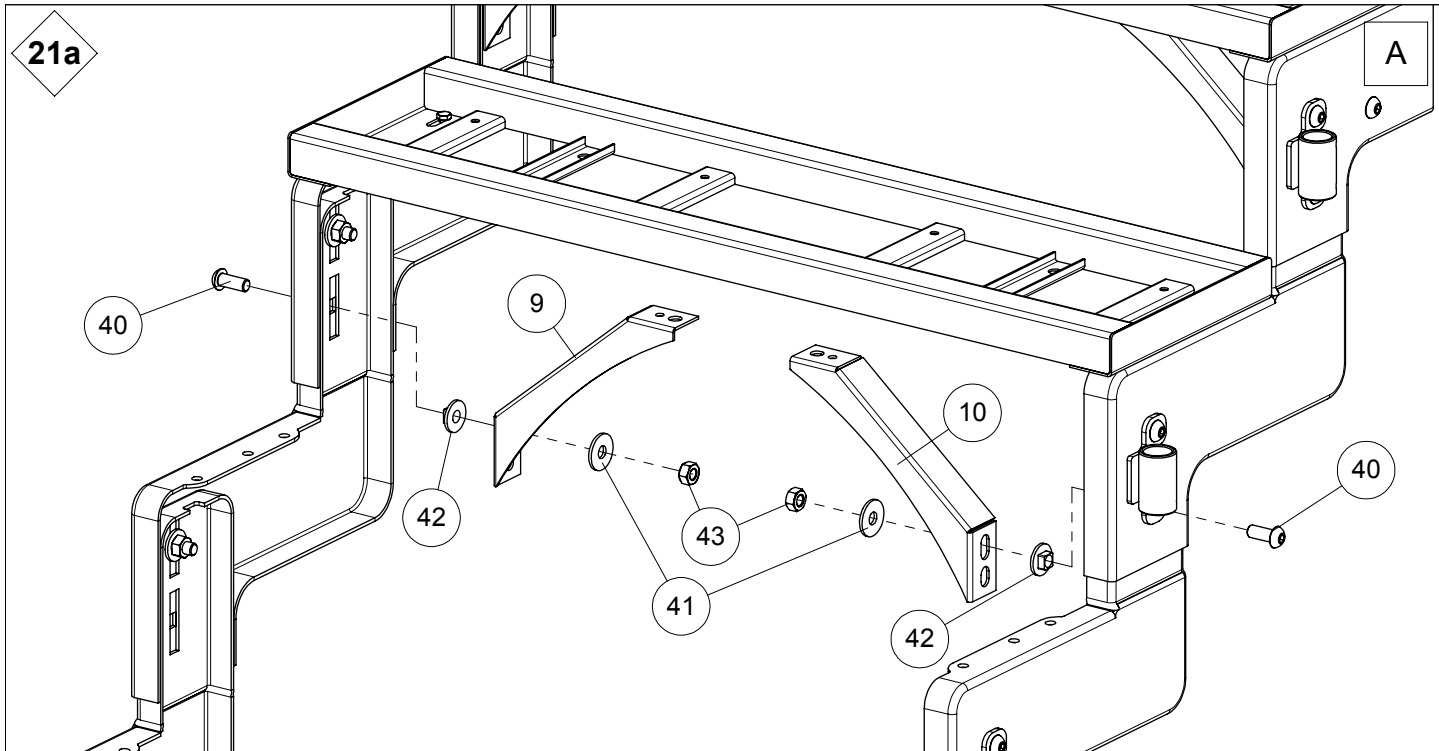


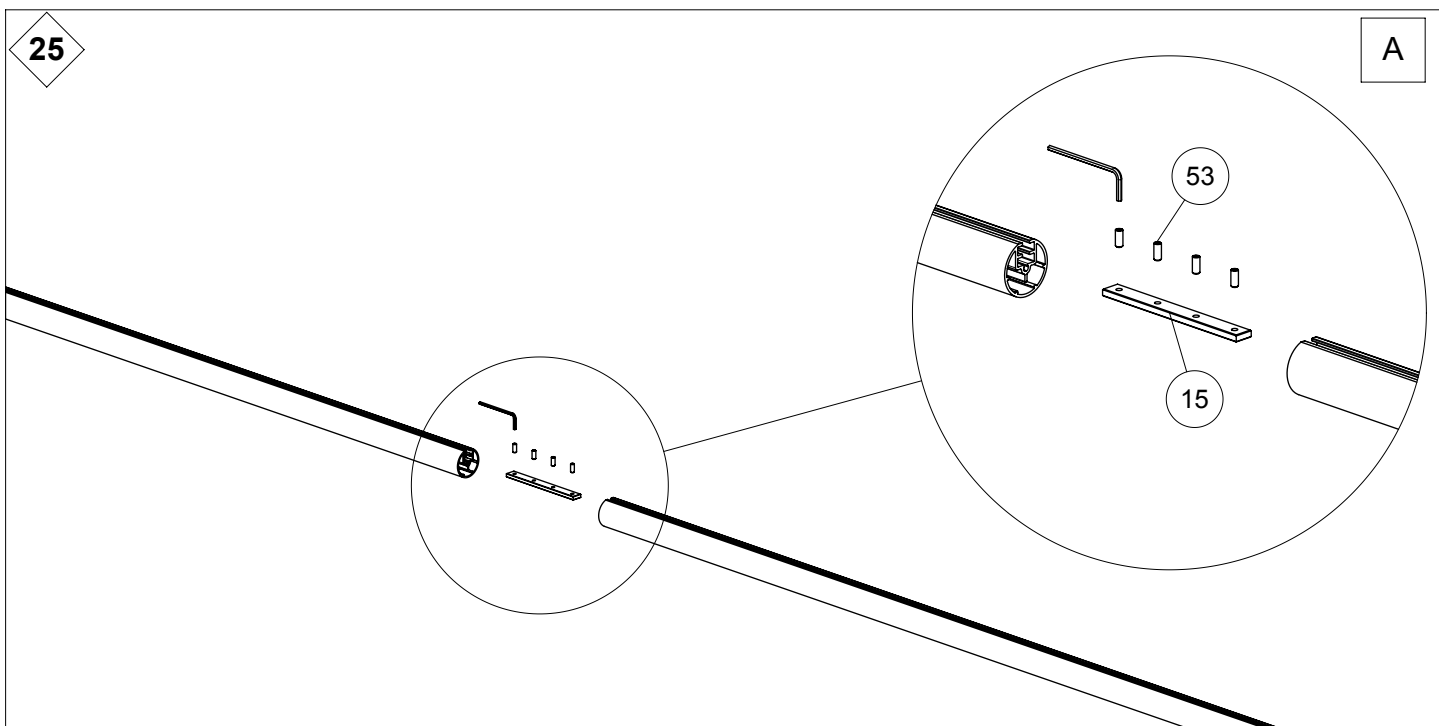
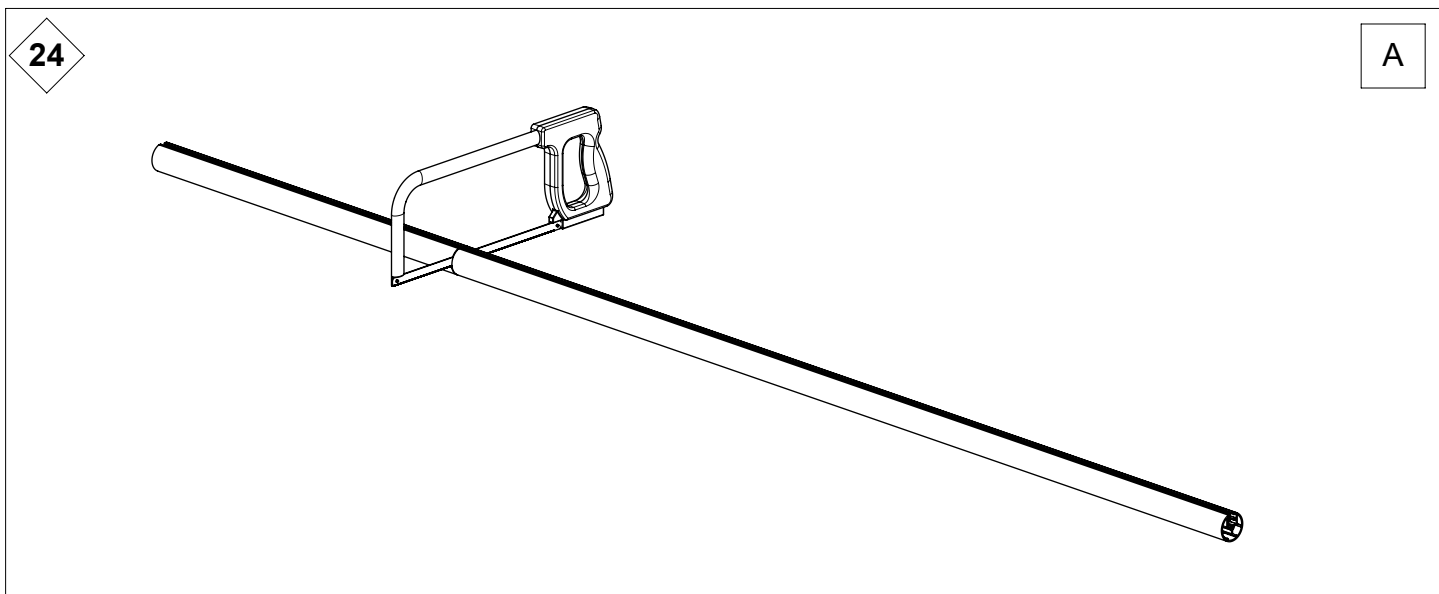
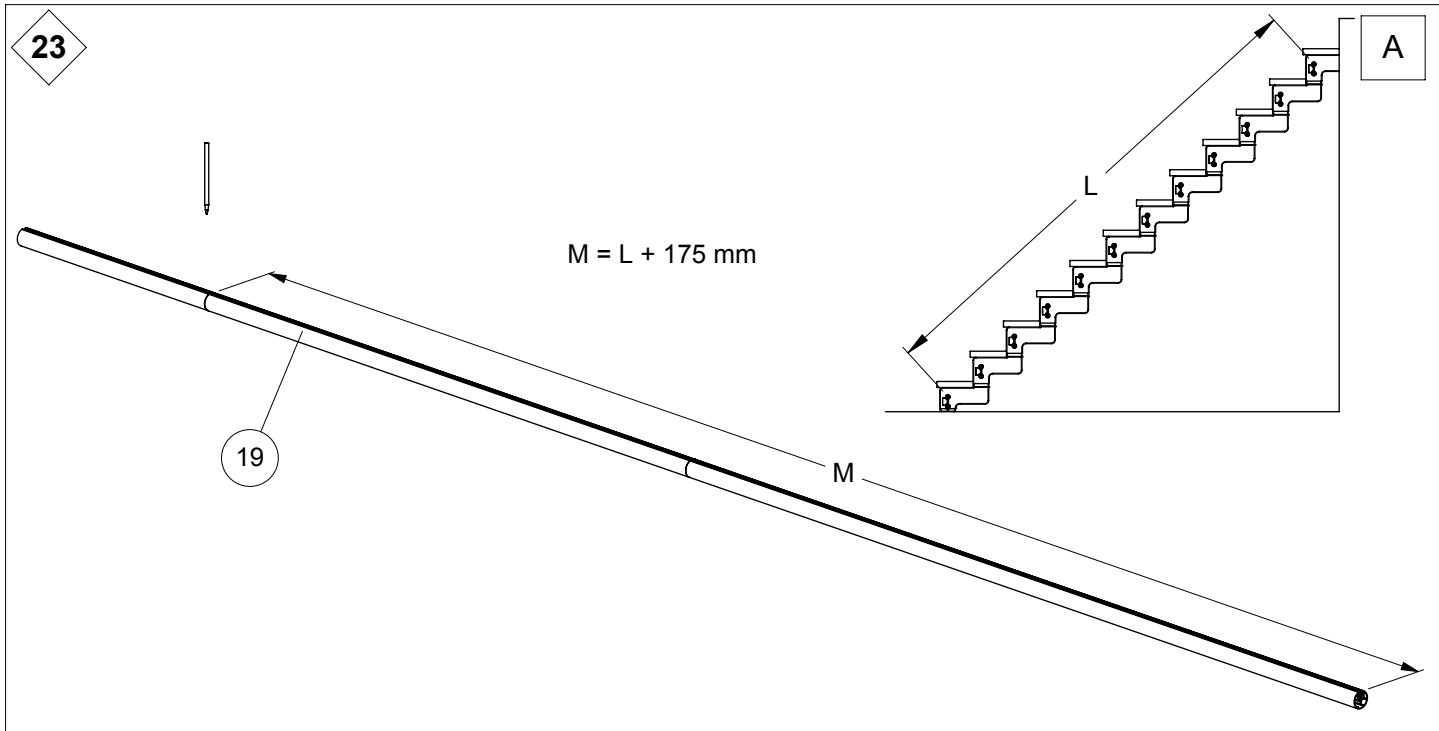
  
 If more than  
6 steps:  
Add  
 (10) + (9)  
 Wenn mehr als  
6 Stufen:  
 (10) + (9)  
 hinzufügen

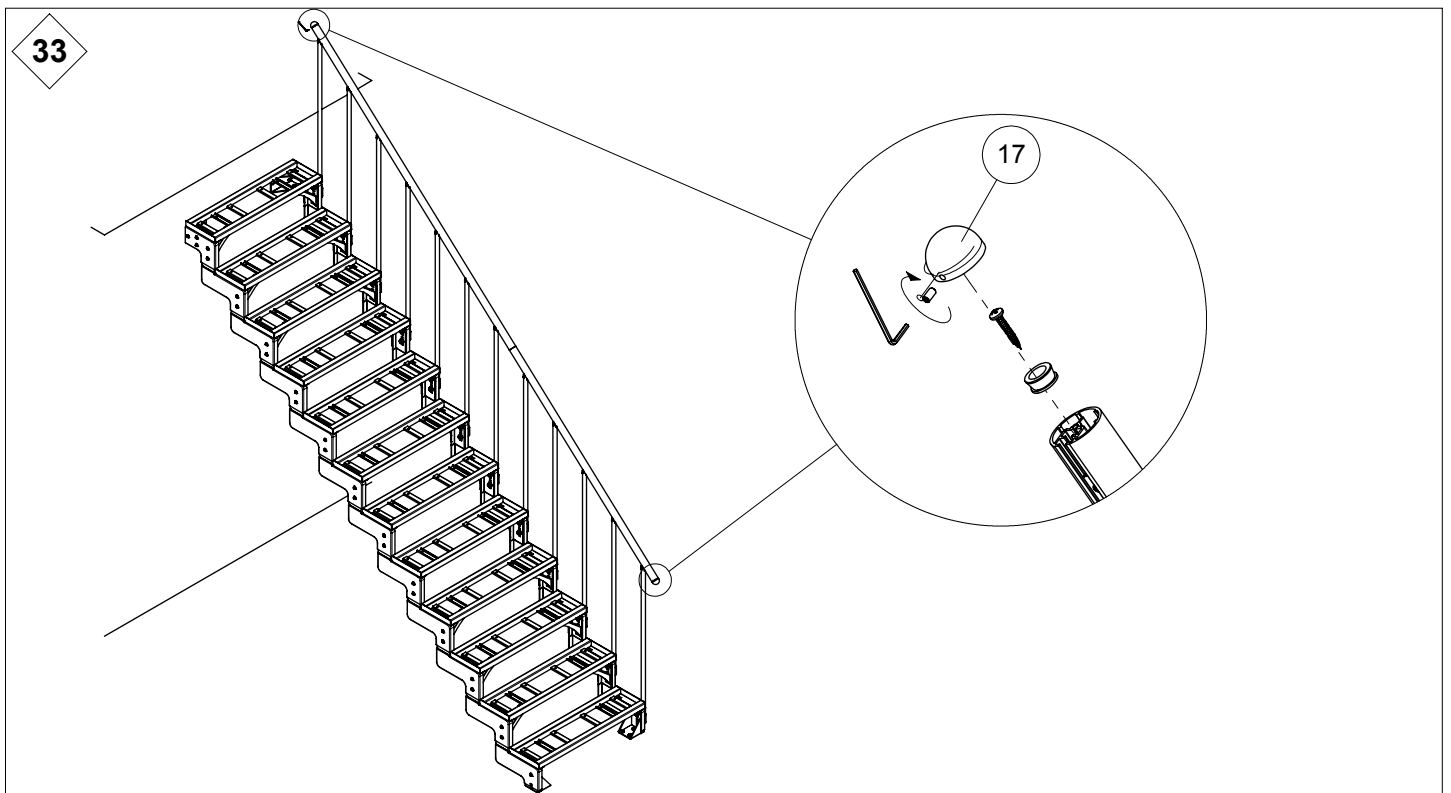
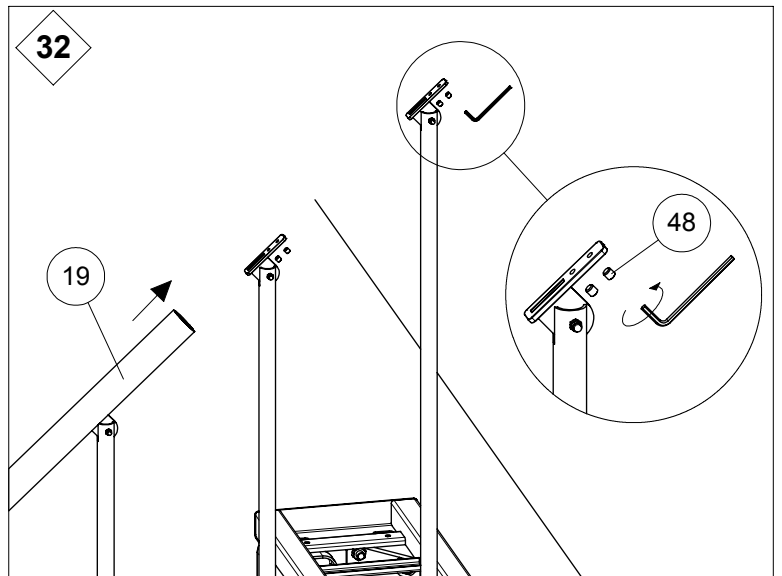
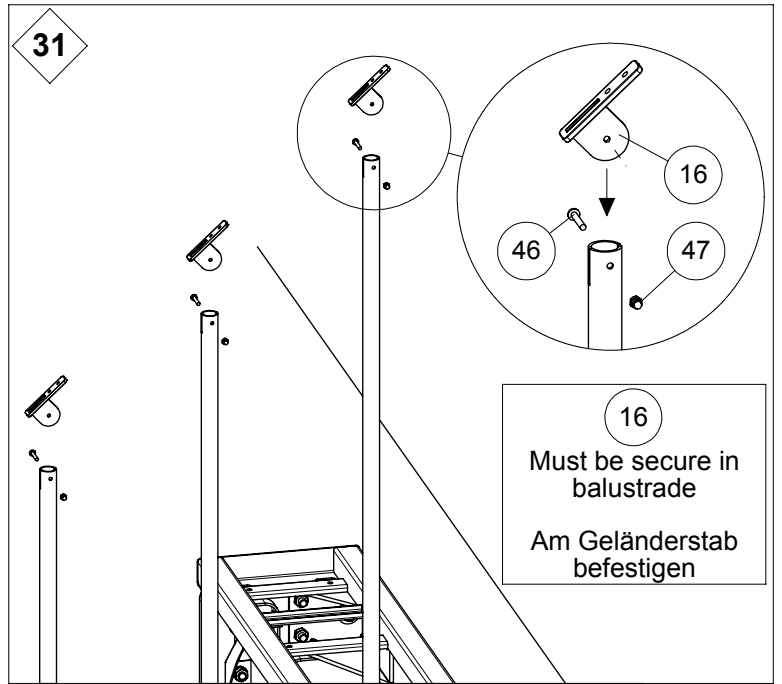
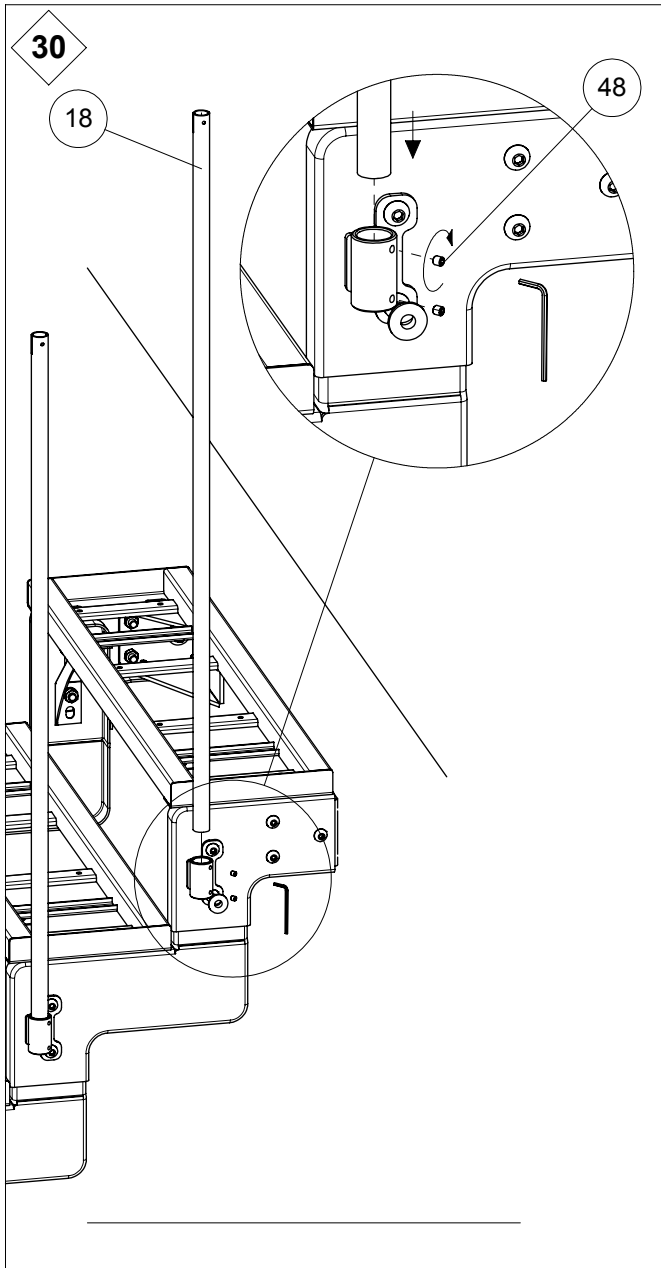


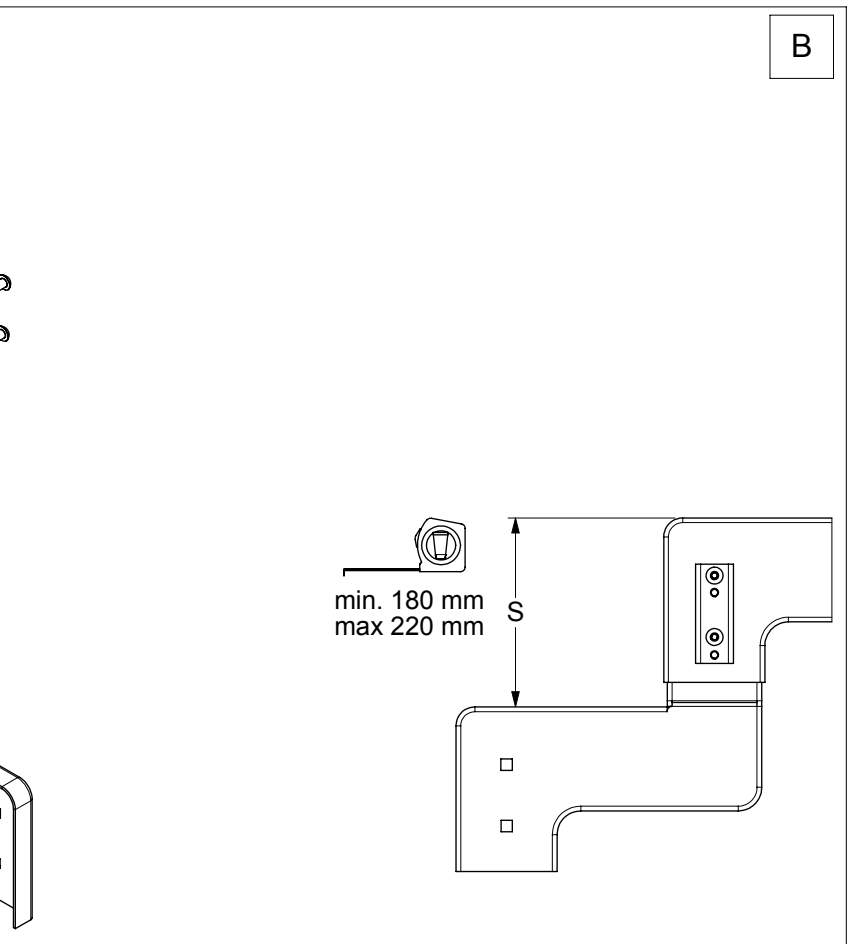
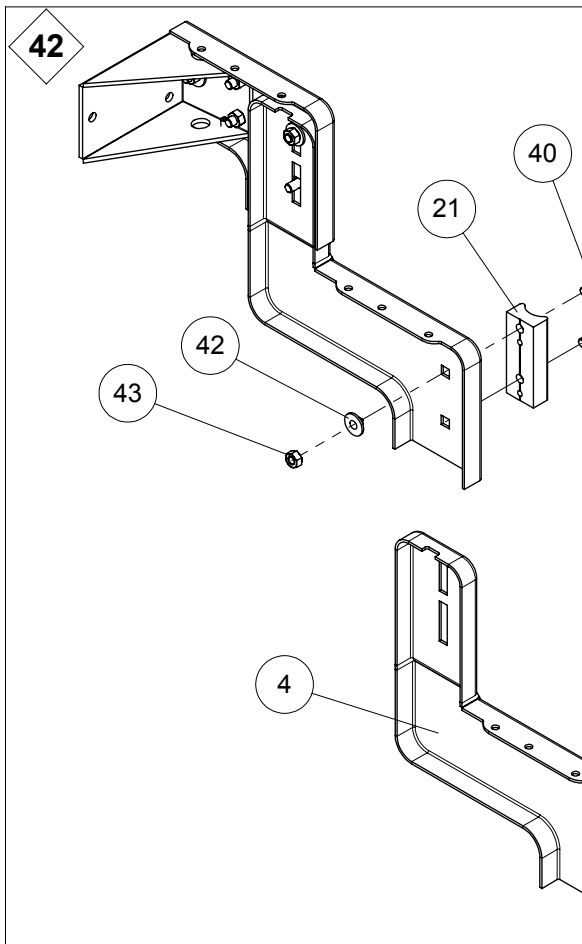
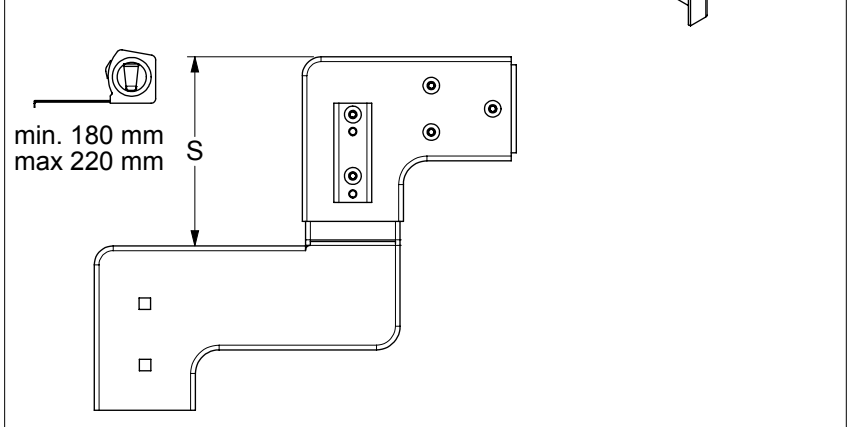
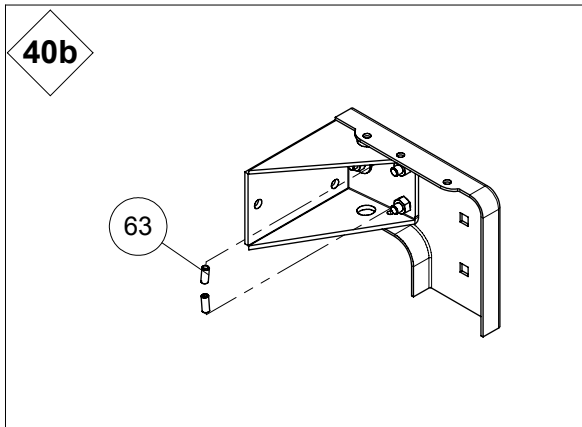
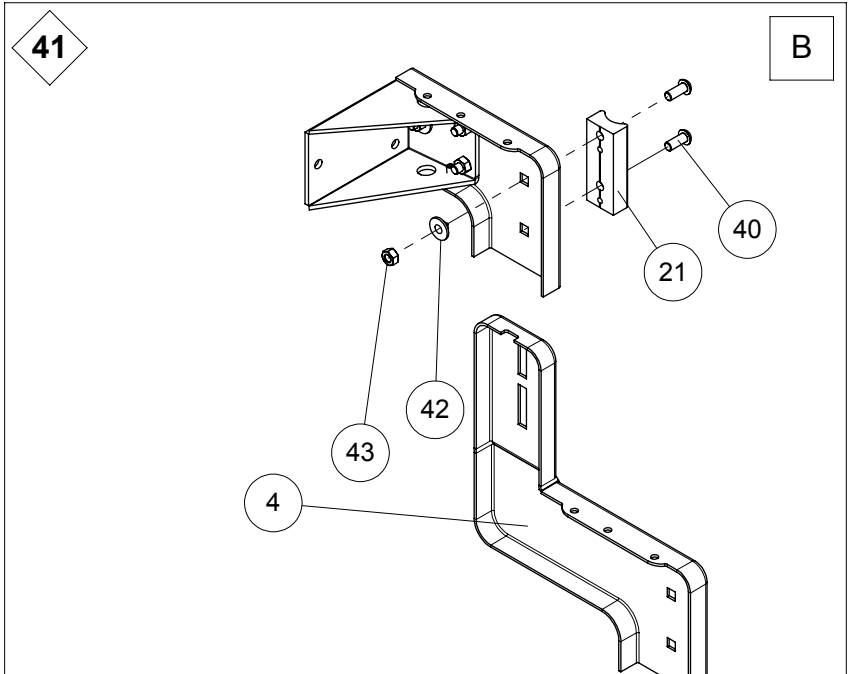
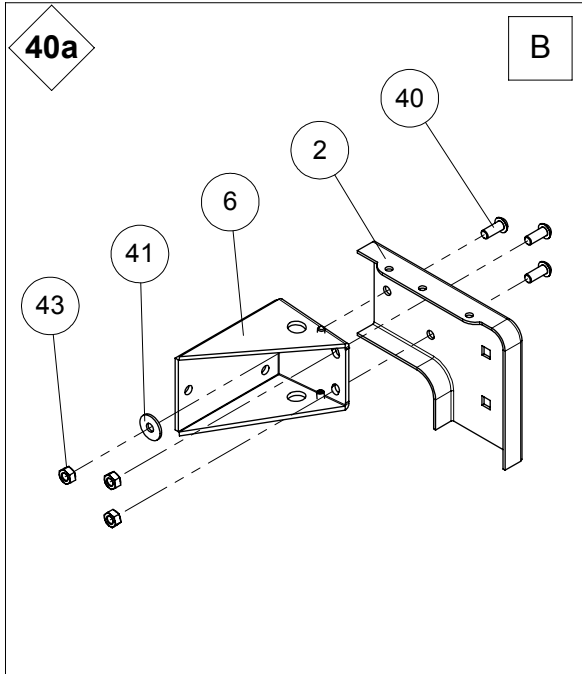


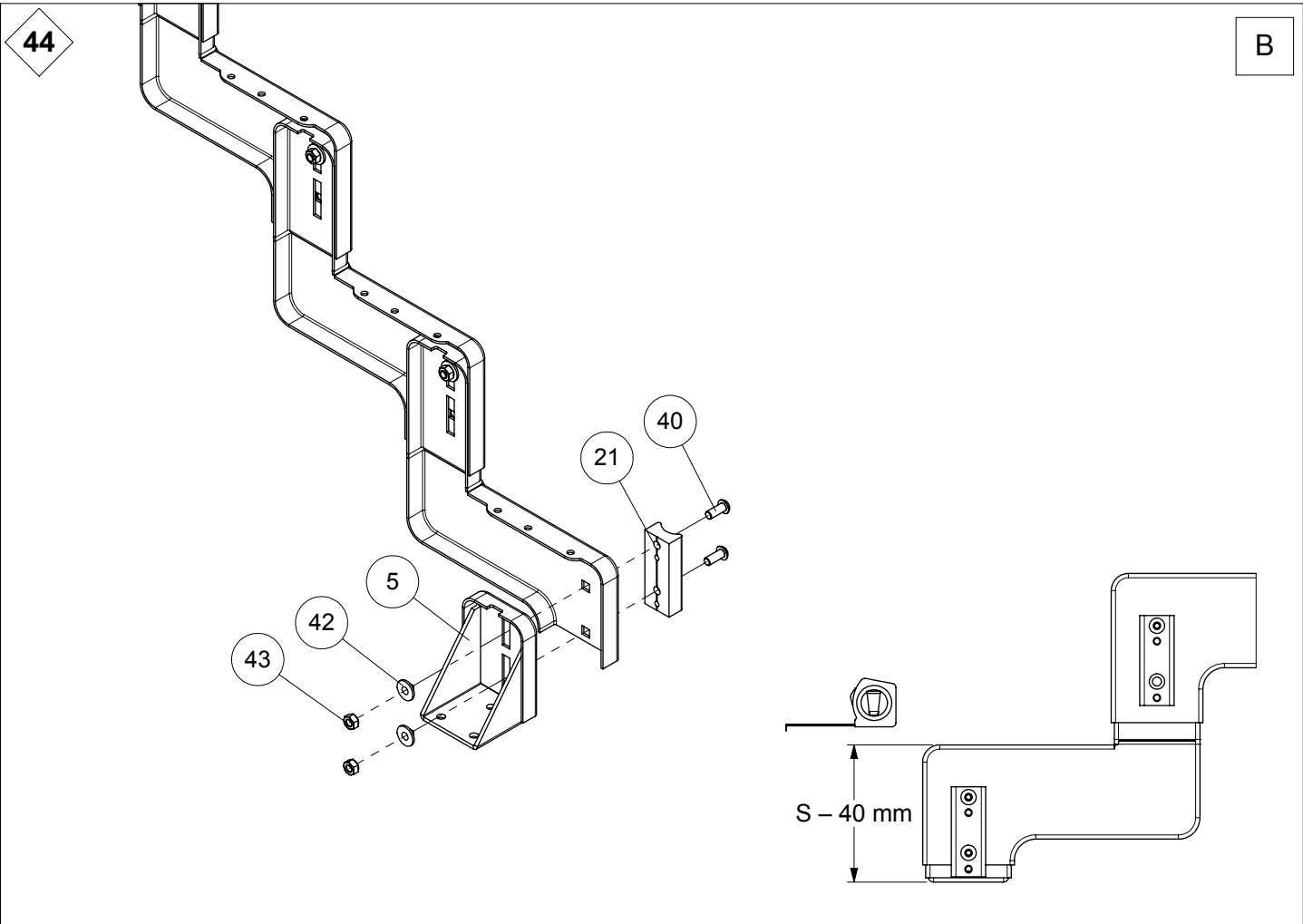
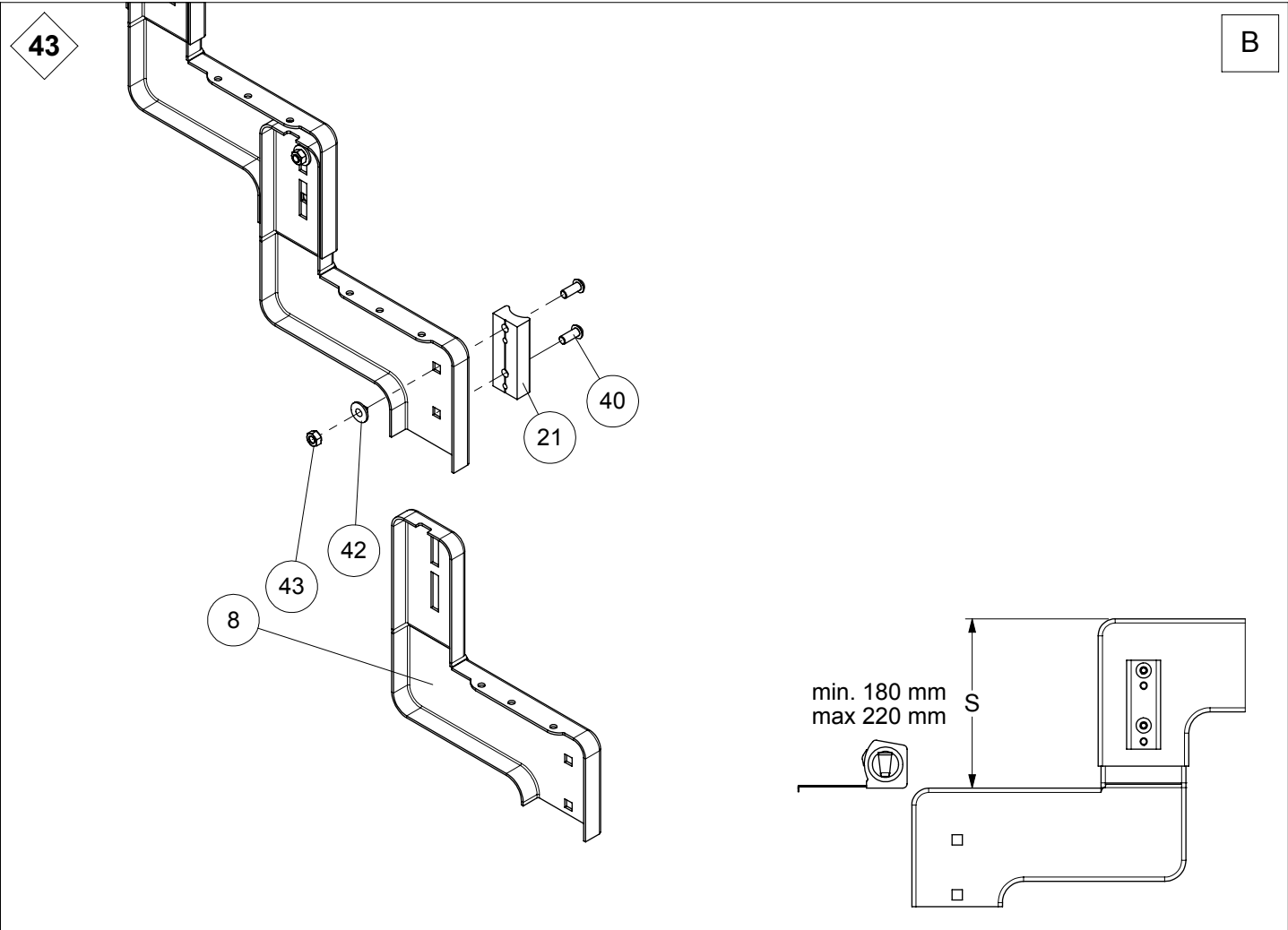






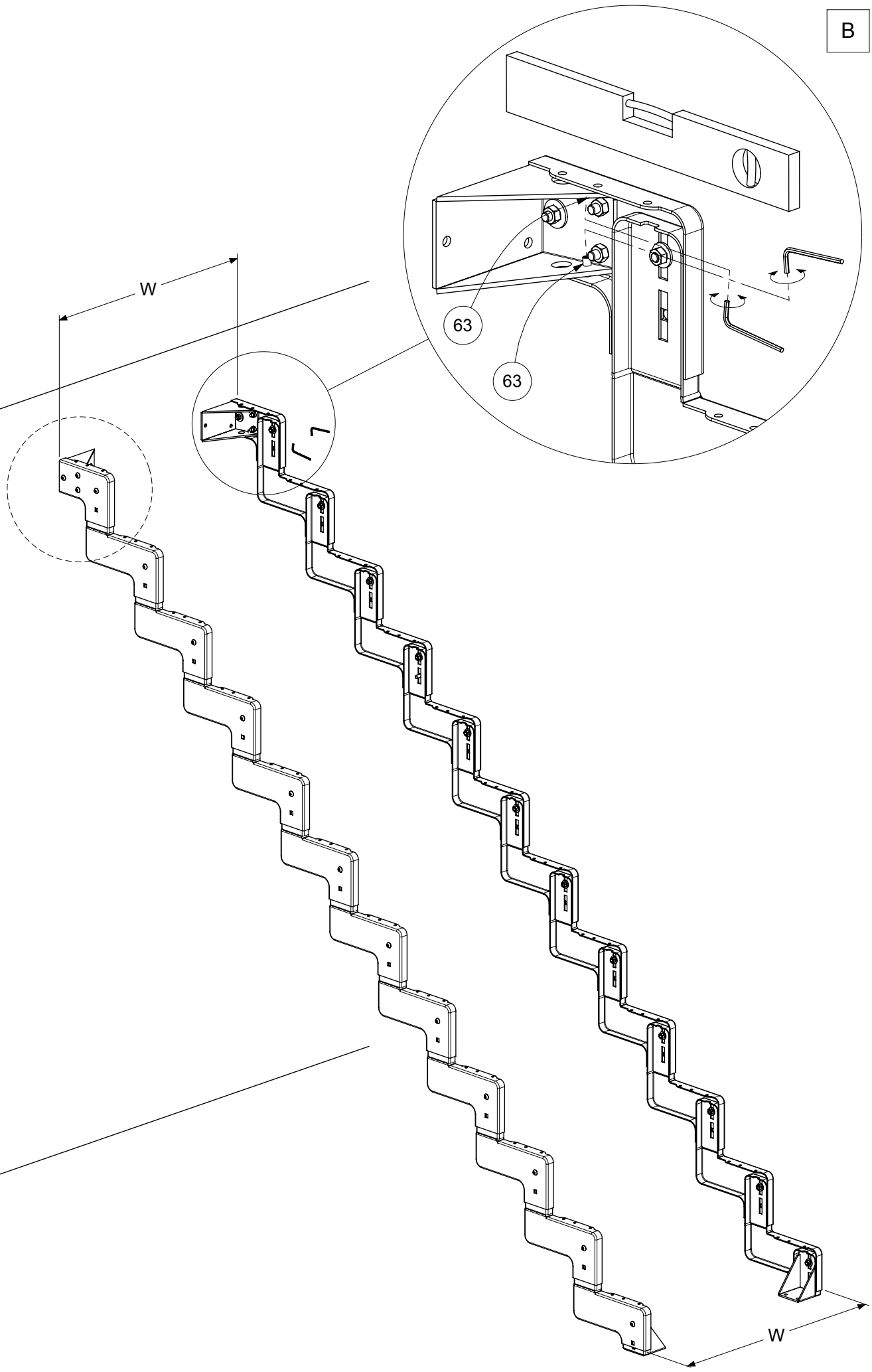






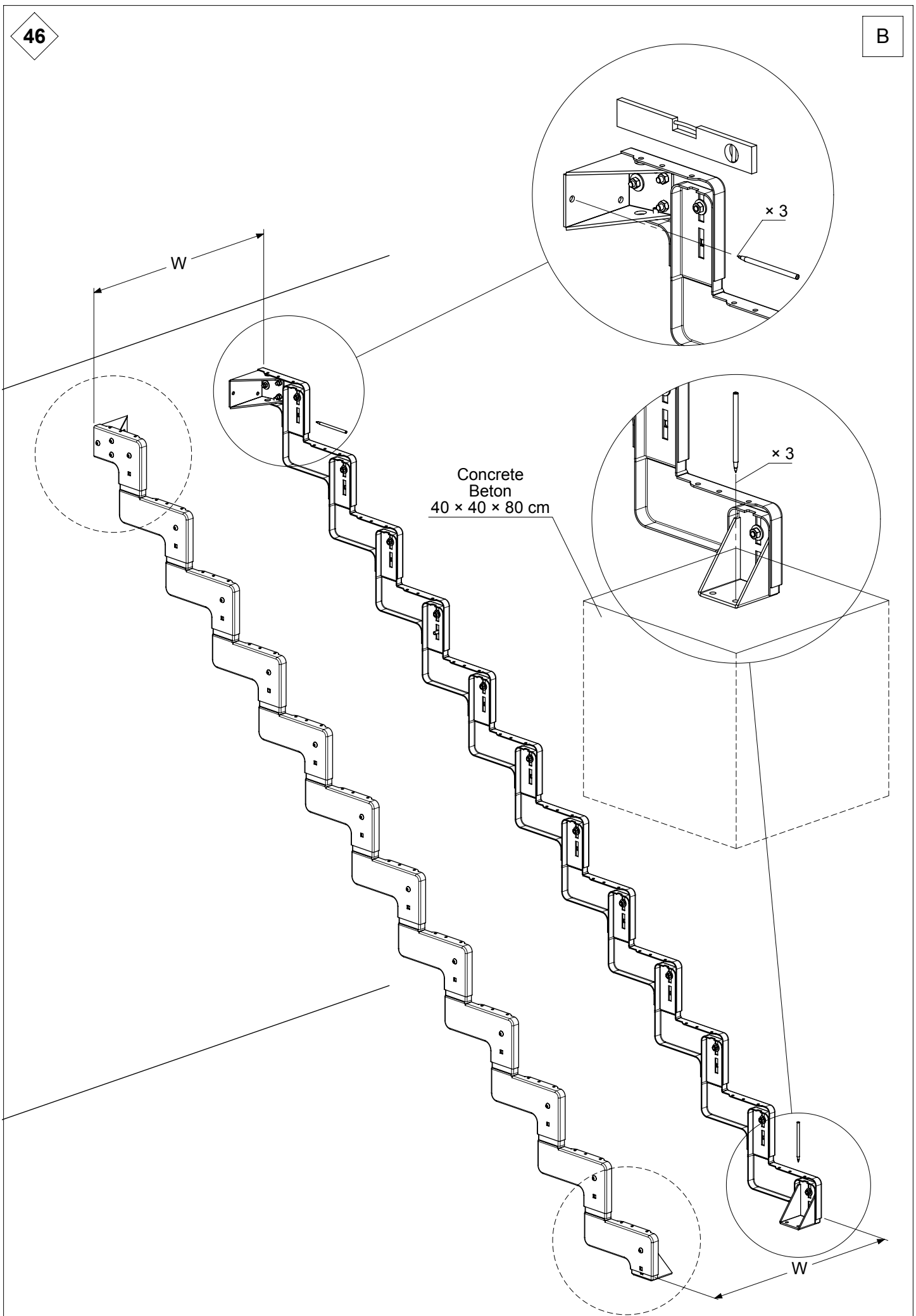
45

B



46

B



Concrete  
Beton  
40 x 40 x 80 cm

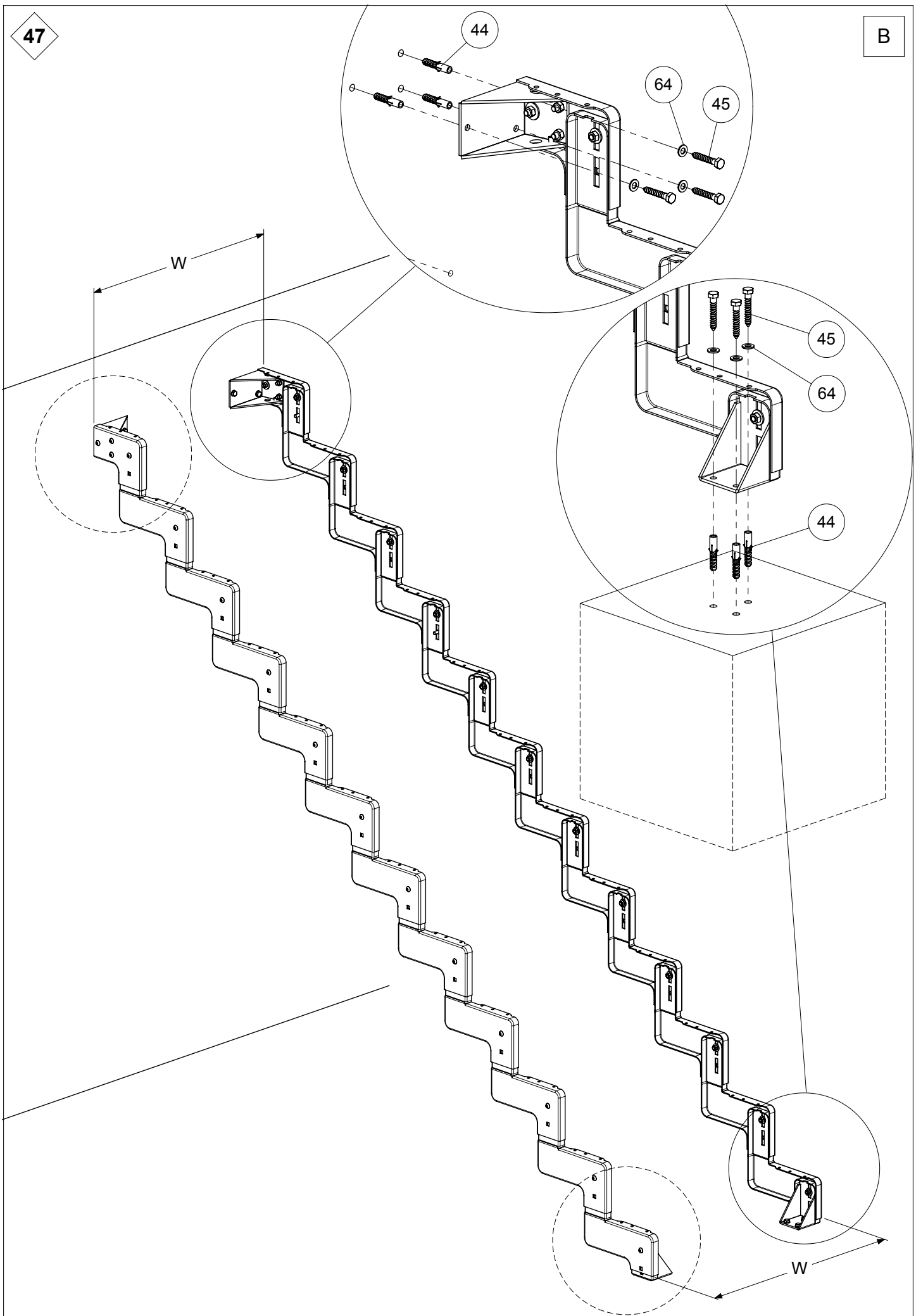
x 3

x 3

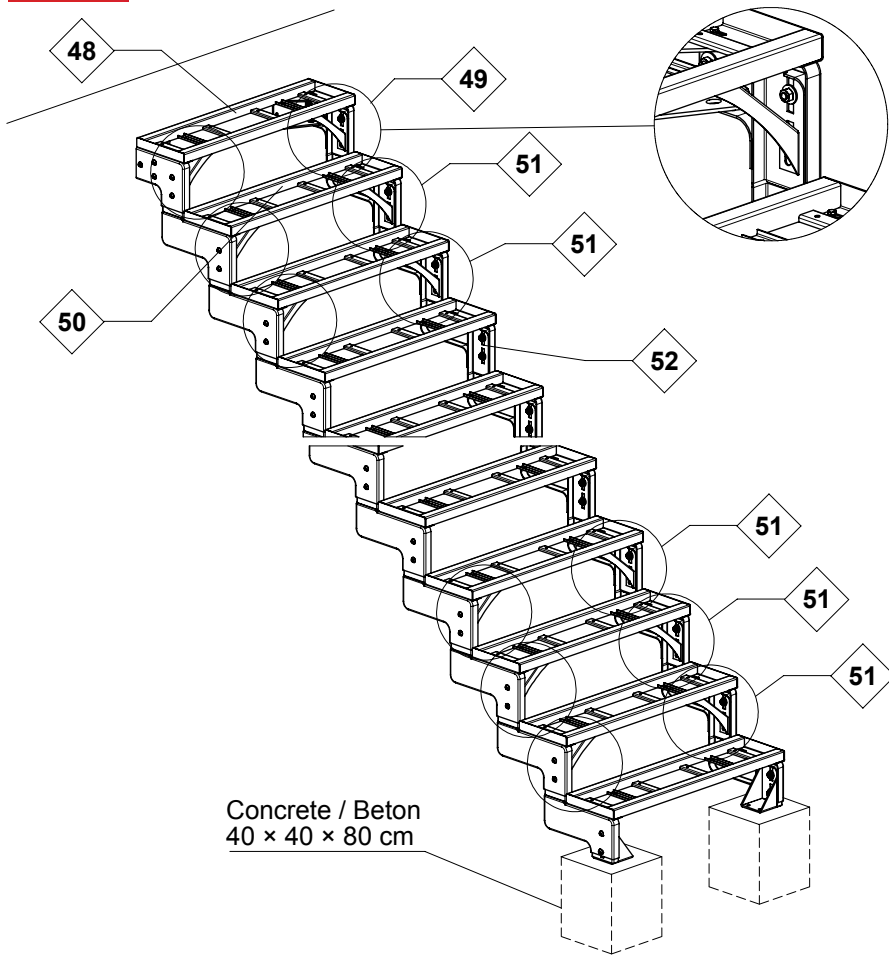
x 3


47

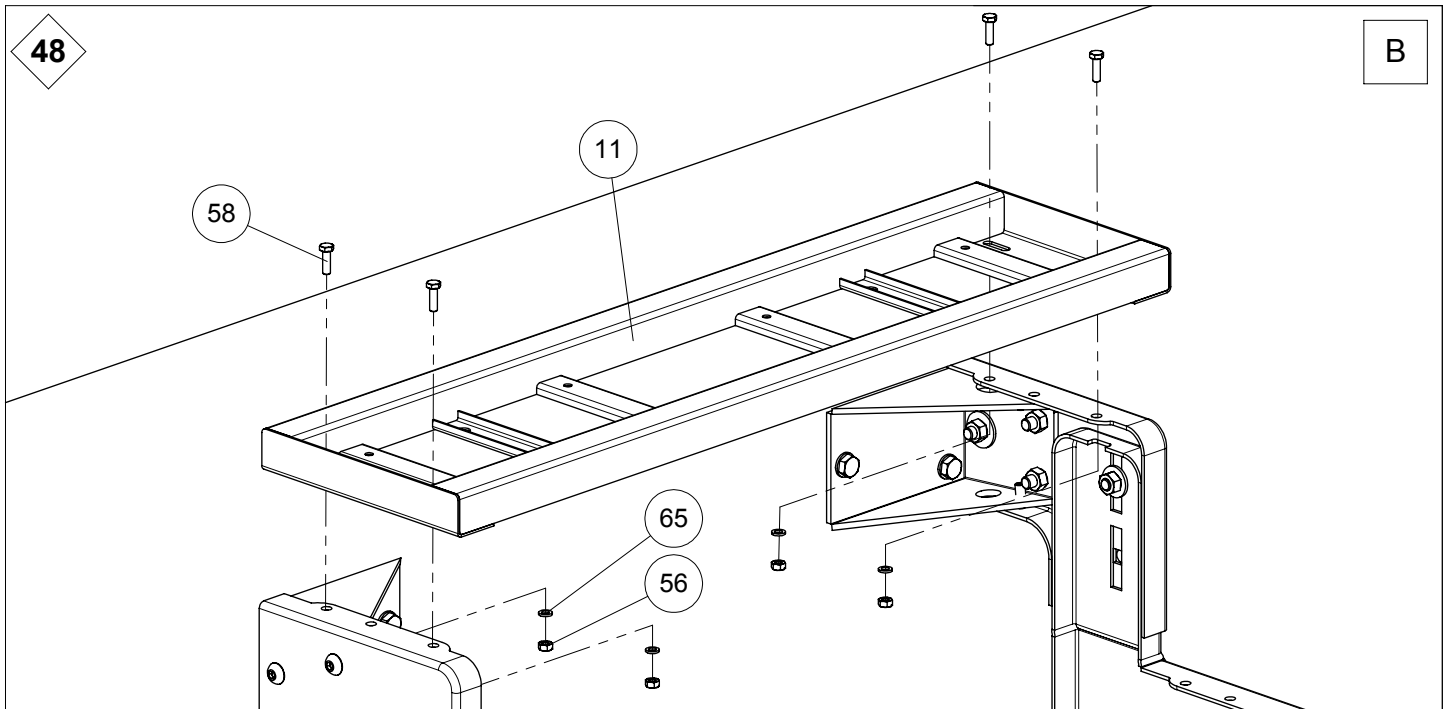
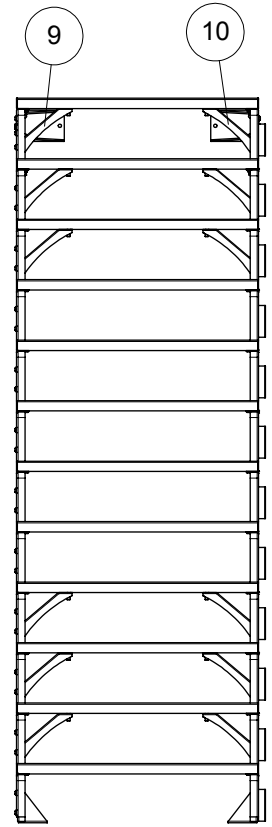
B

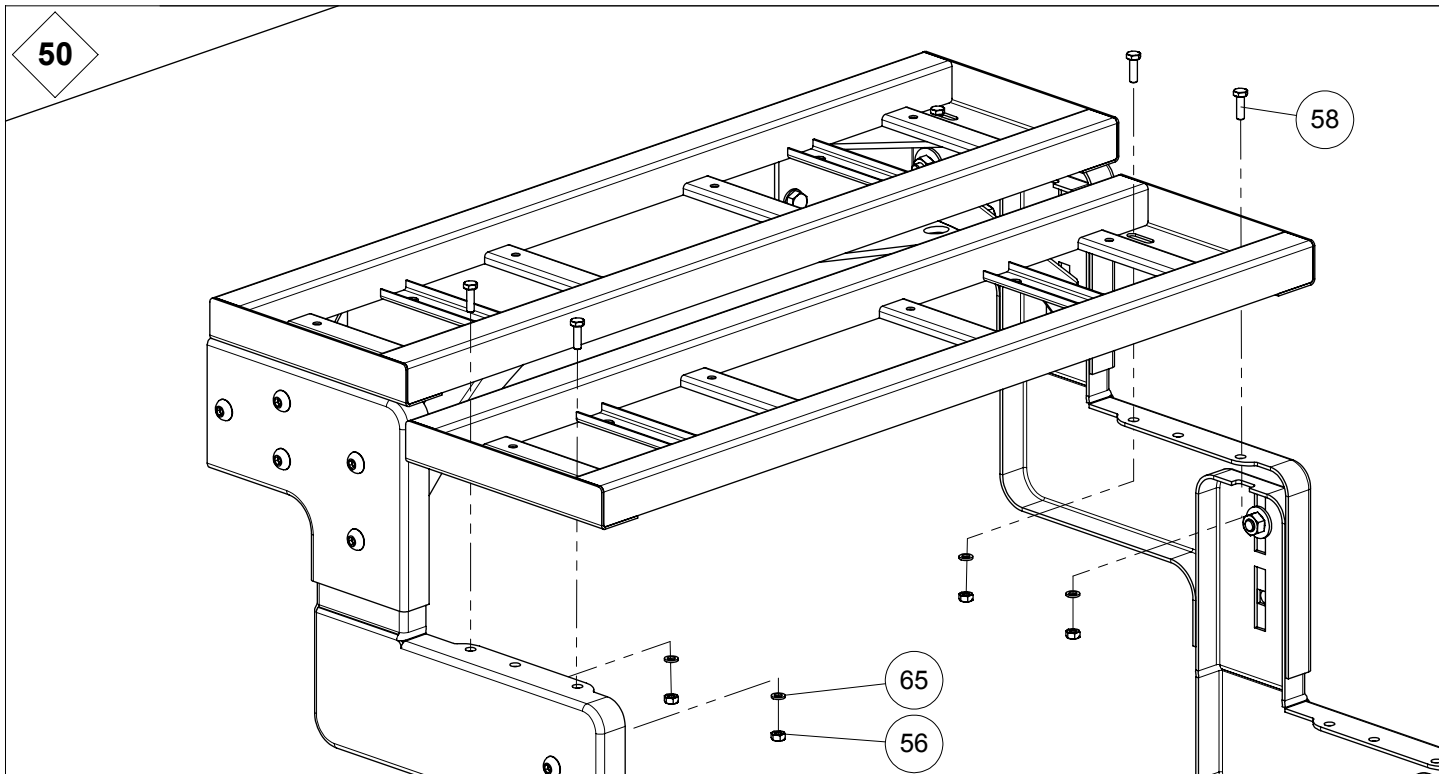
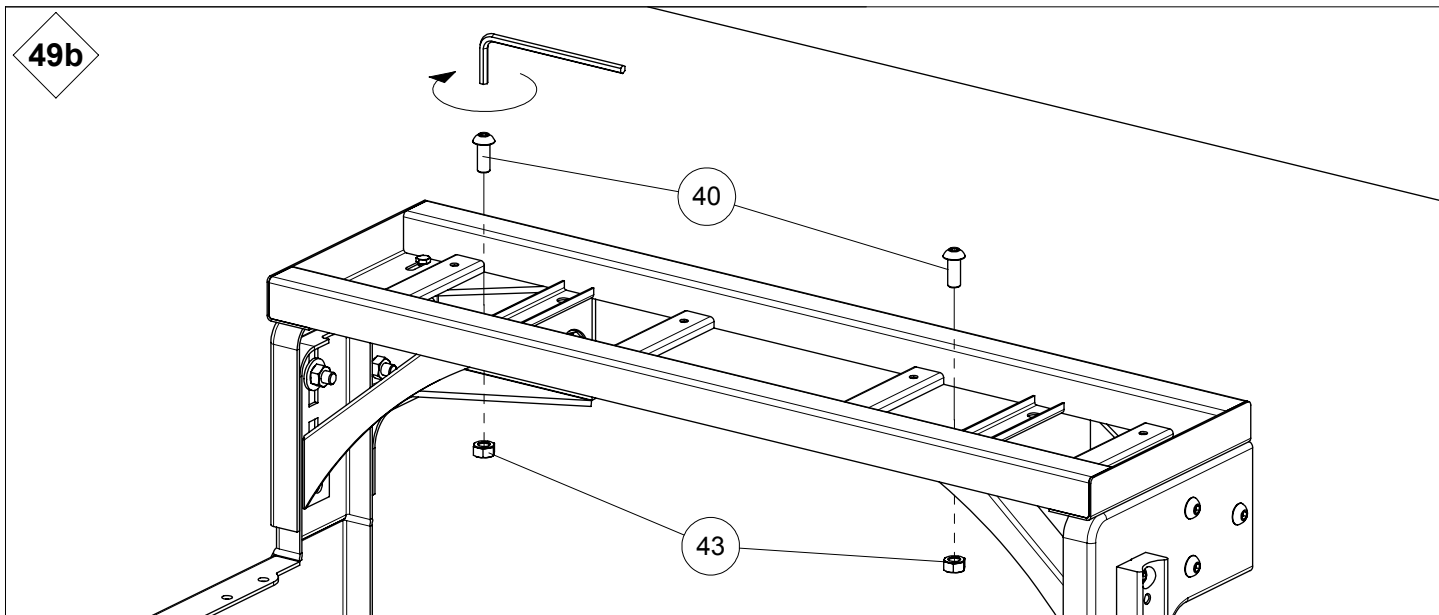
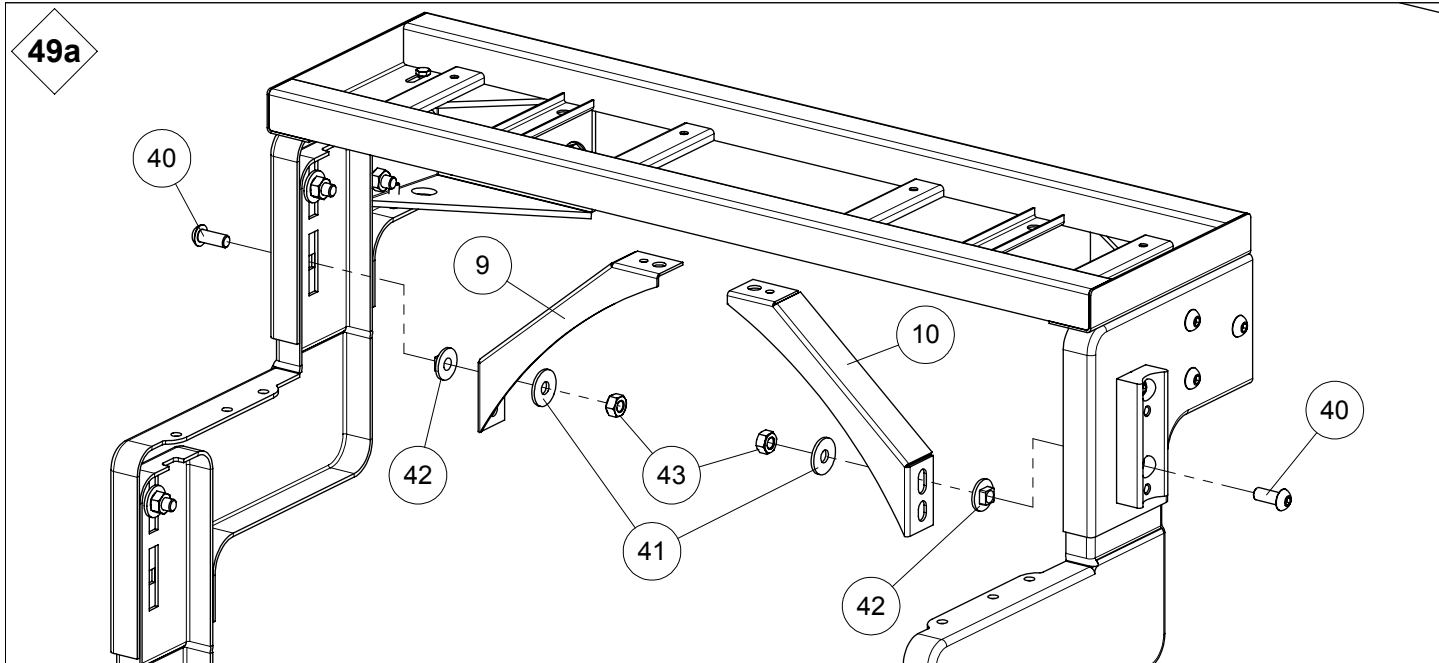


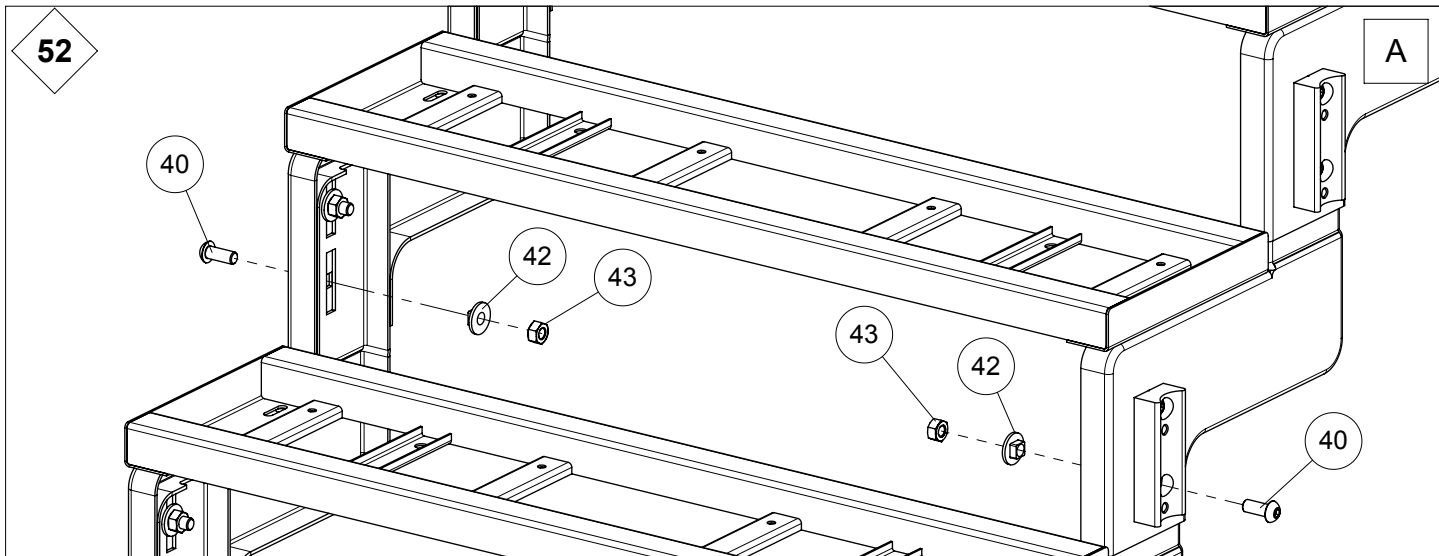
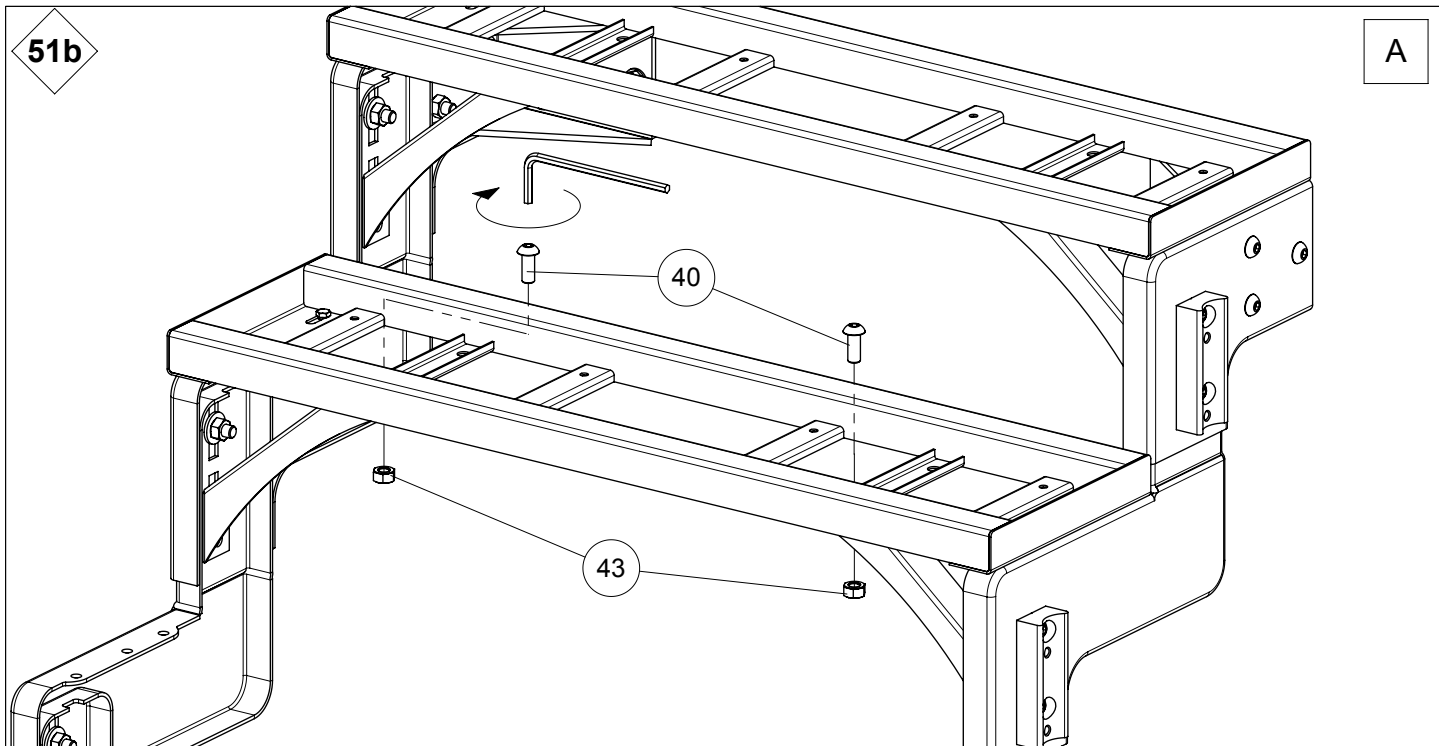
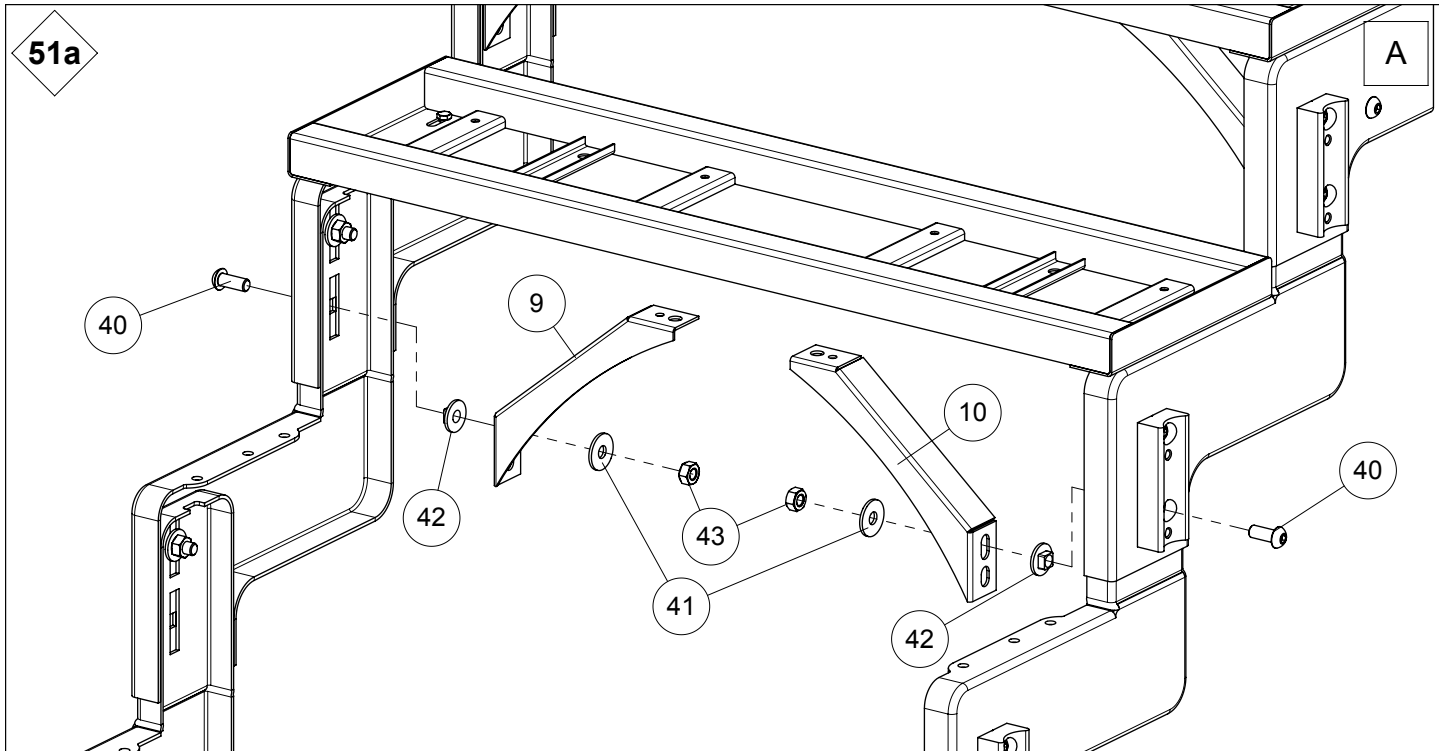


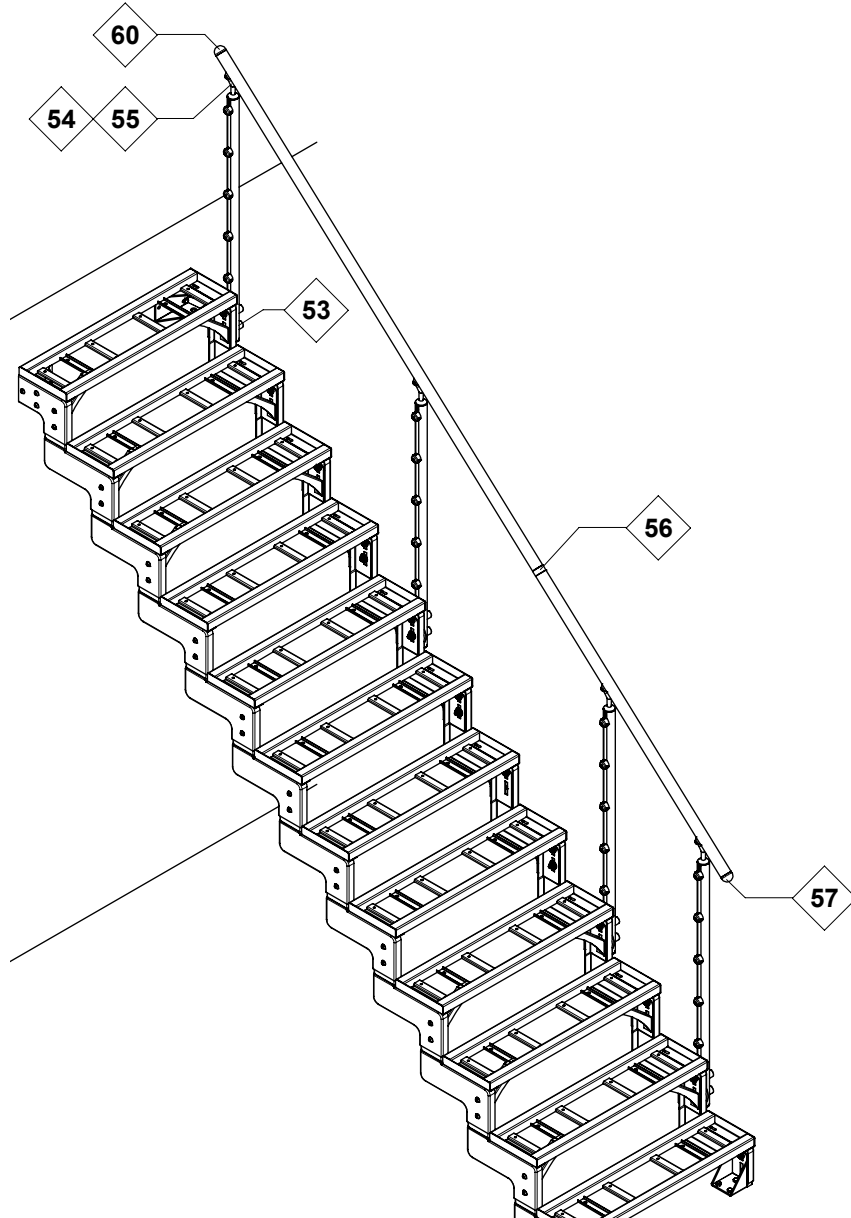
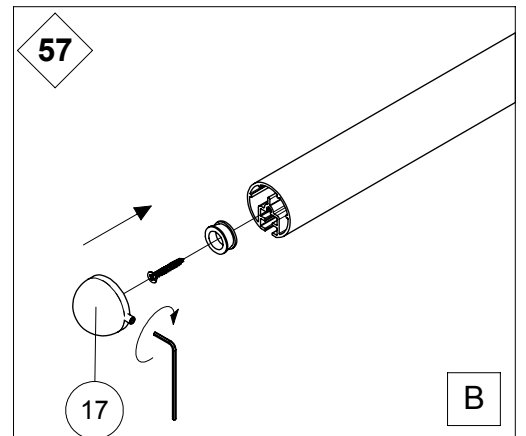
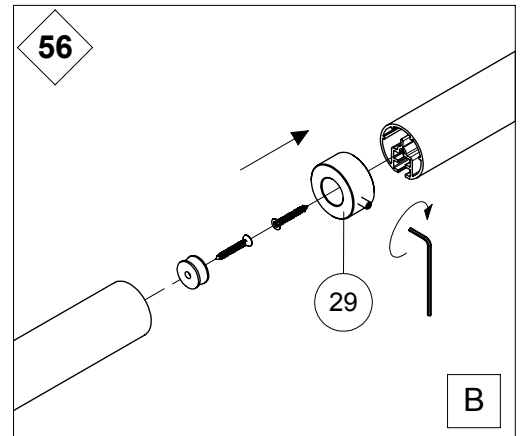
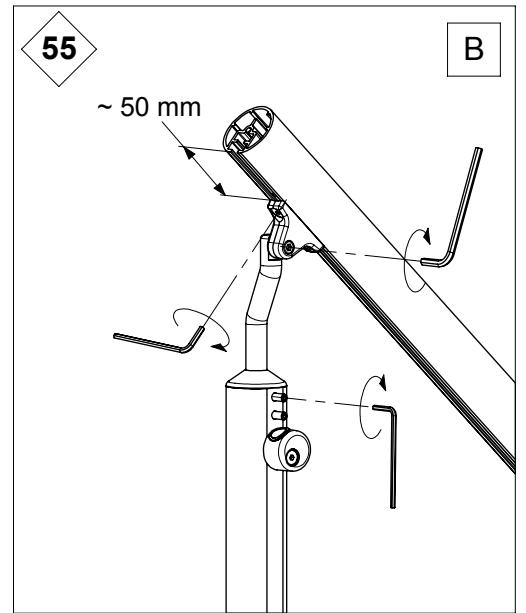
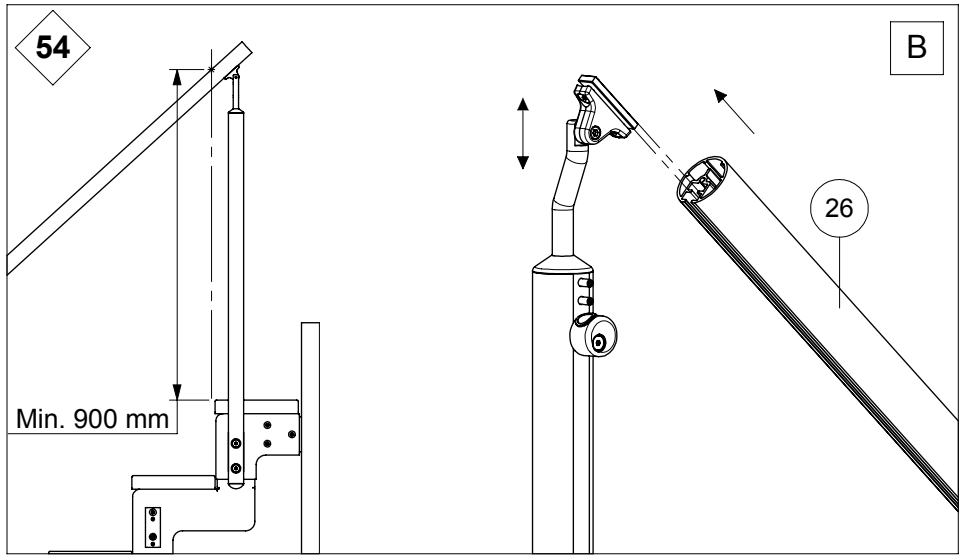
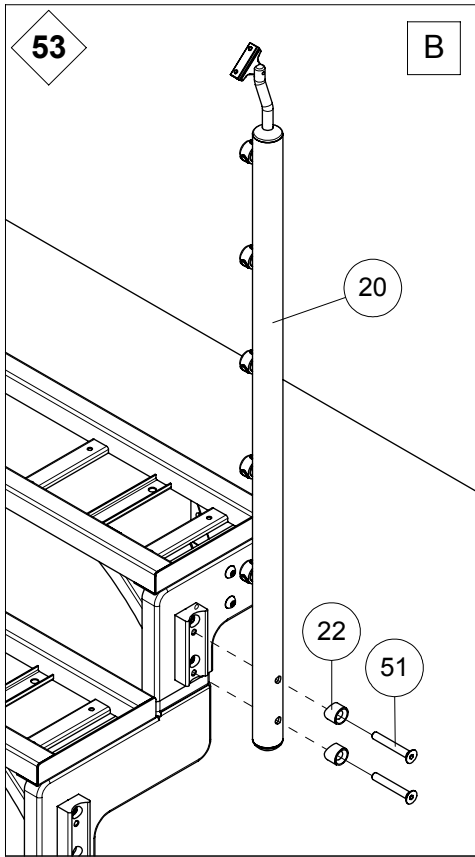


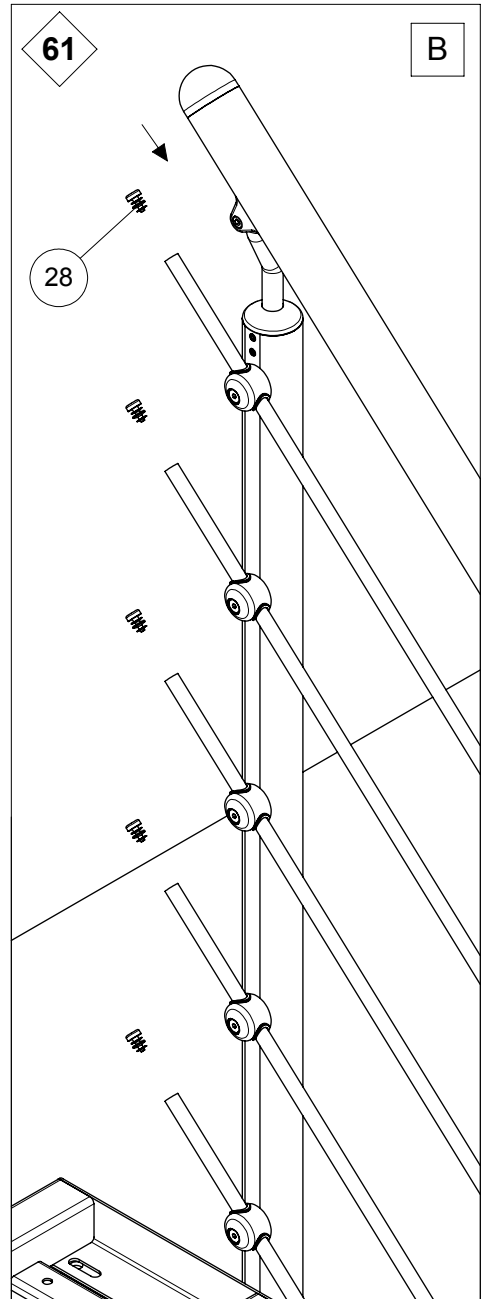
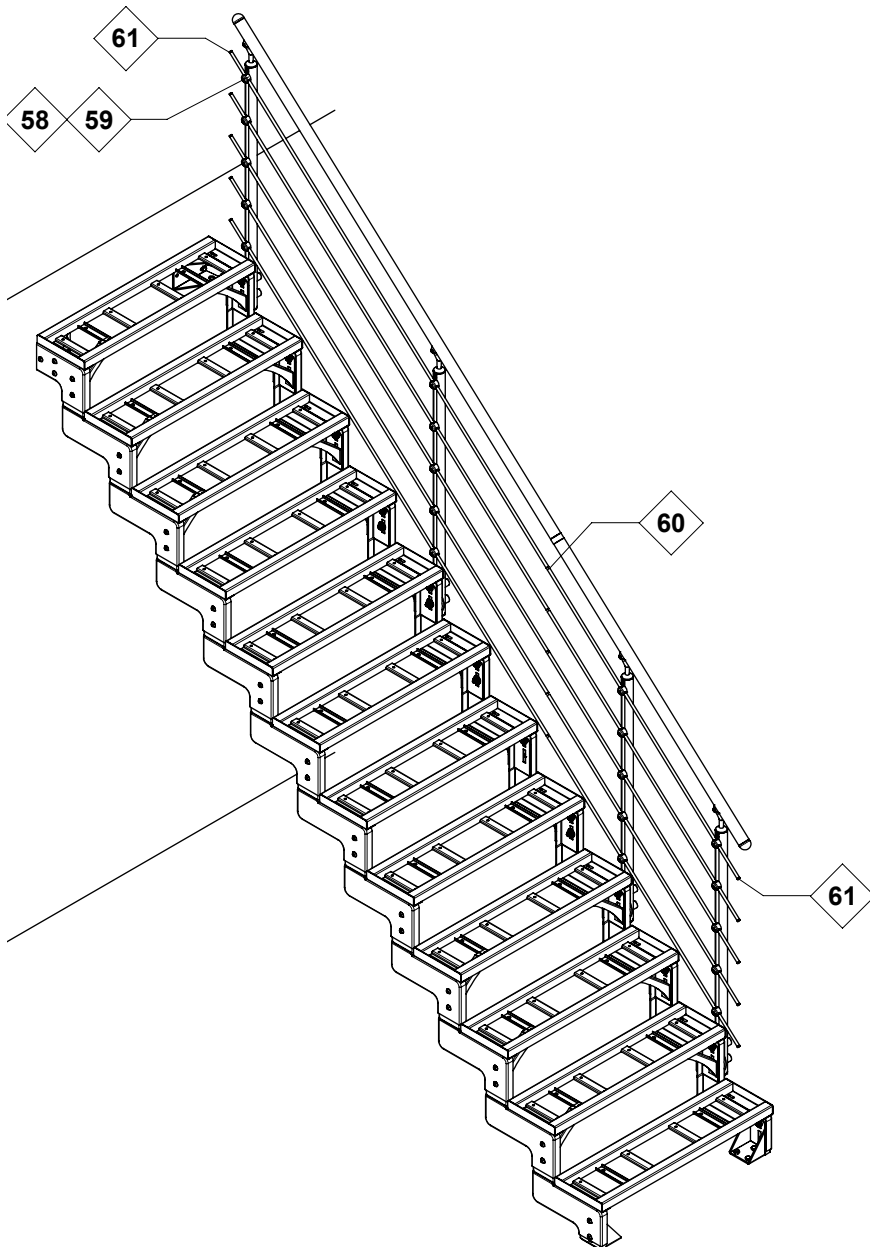
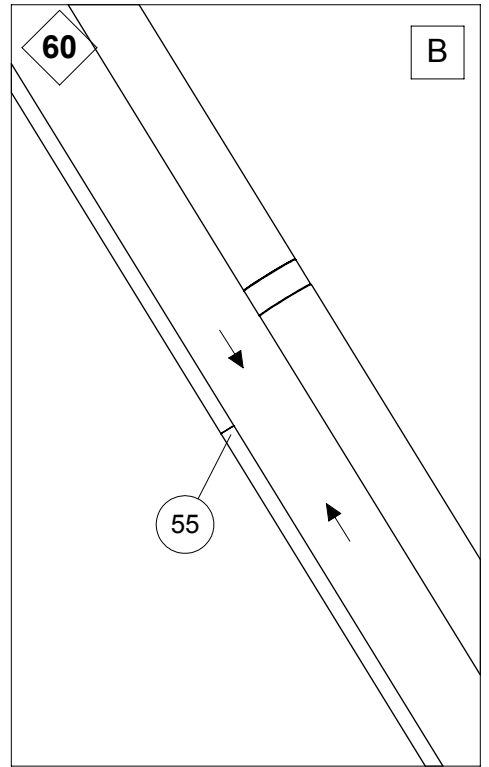
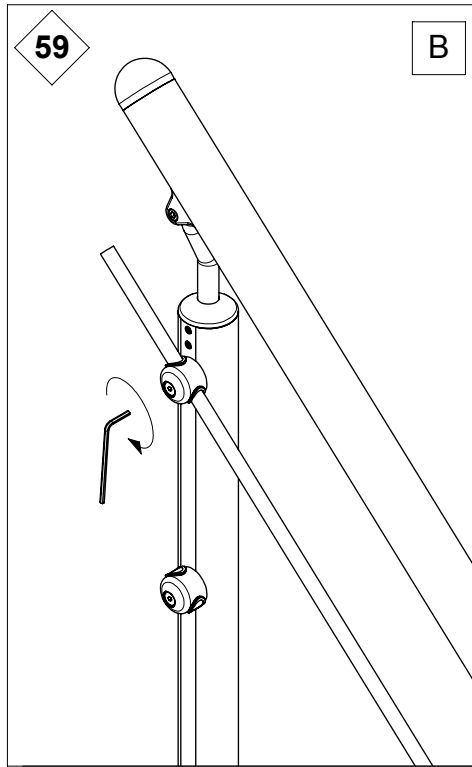
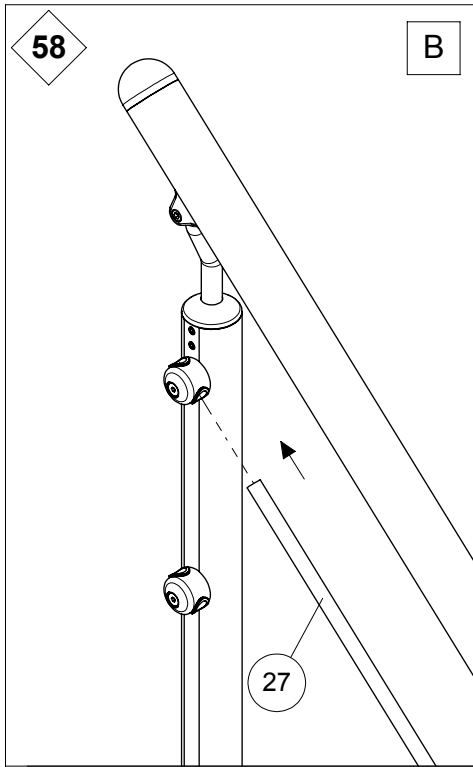
  
 If more than  
6 steps:  
Add  
 (10) + (9)  
 Wenn mehr als  
6 Stufen:  
 (10) + (9)  
 hinzufügen

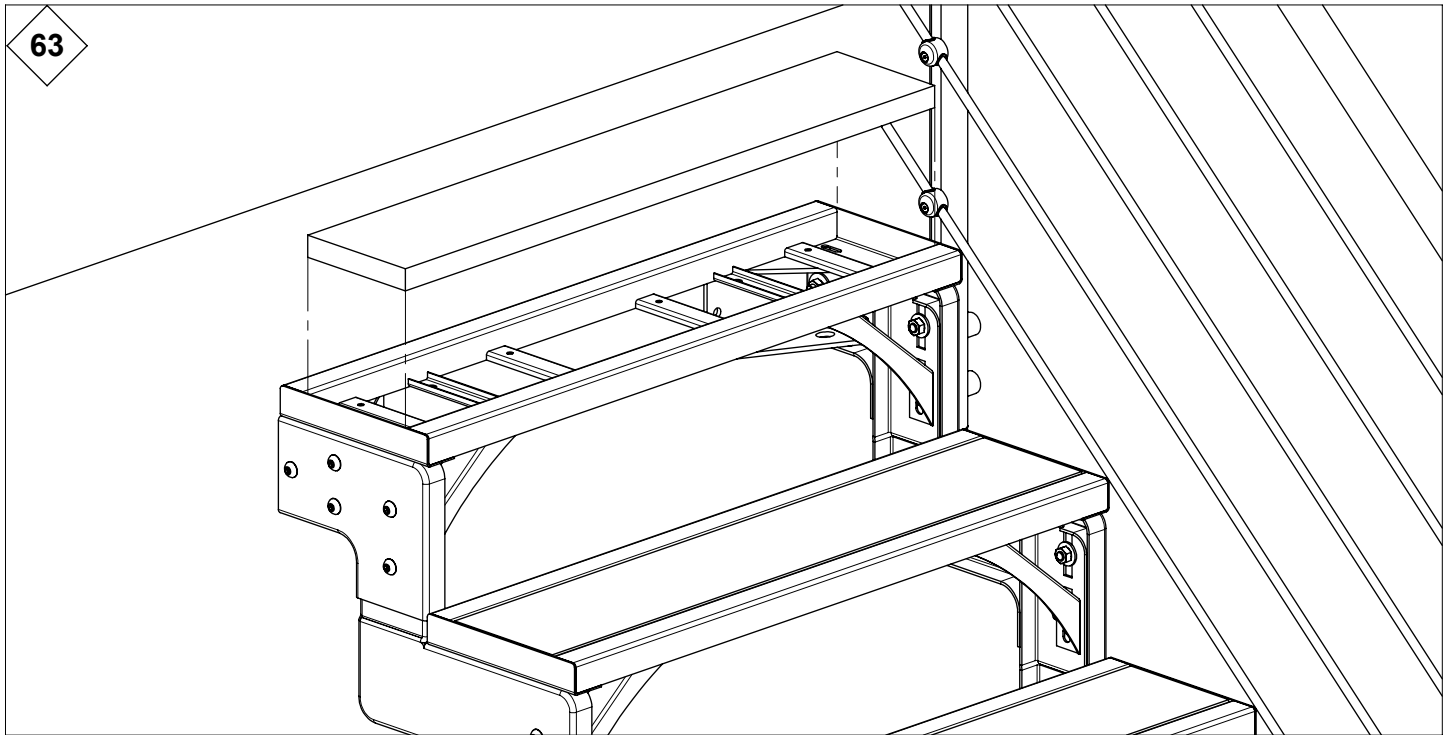
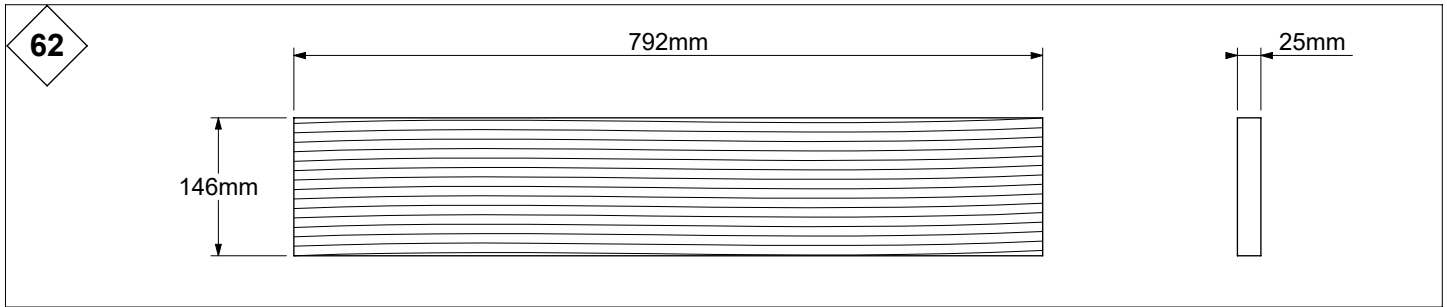















We recommend using a support column from 8 treads and if  $W = 100\text{ cm}$

Ab 8 Stufen und  $W = 100\text{ cm}$  empfehlen wir eine Abstützung der Treppe

