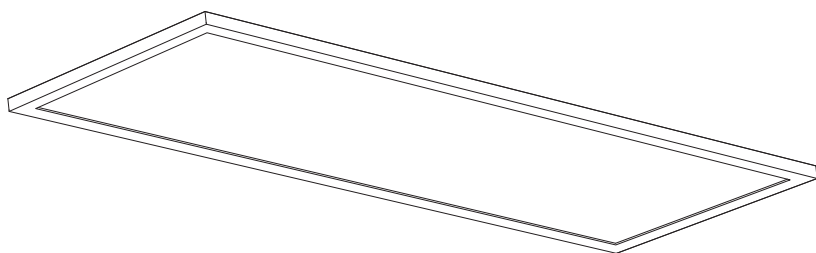
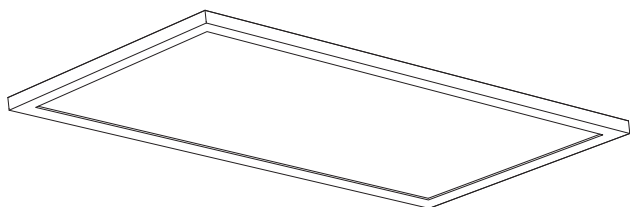
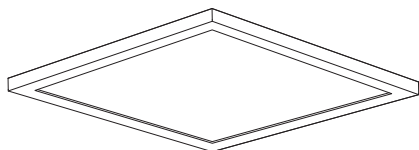


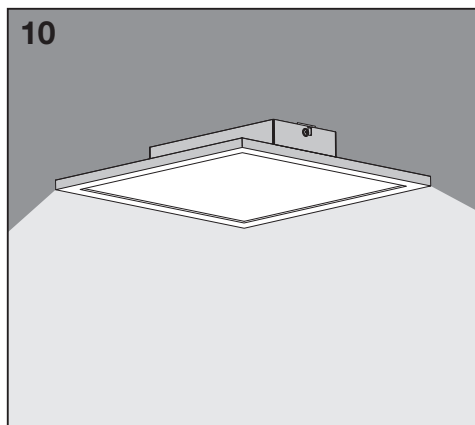
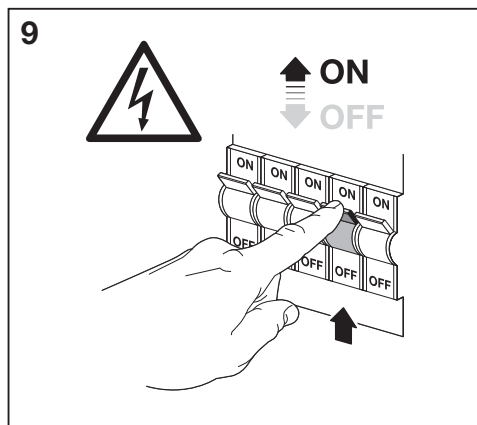
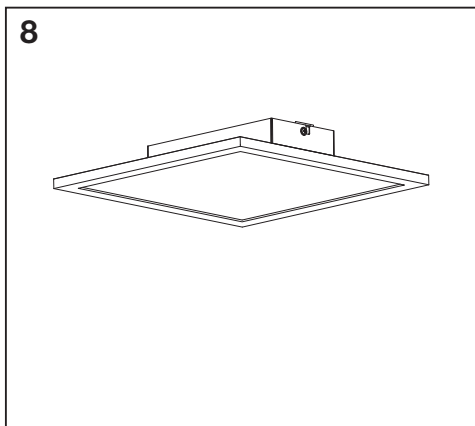
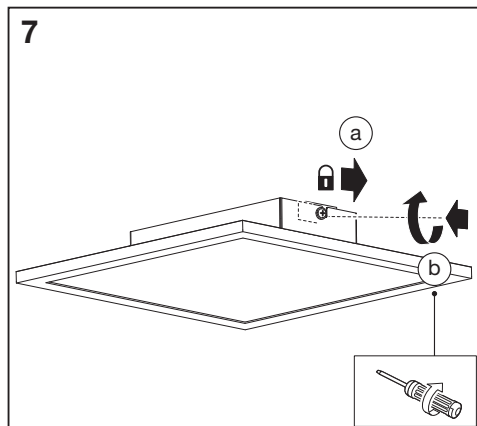
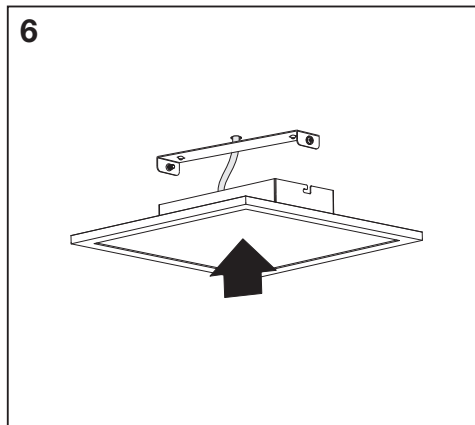
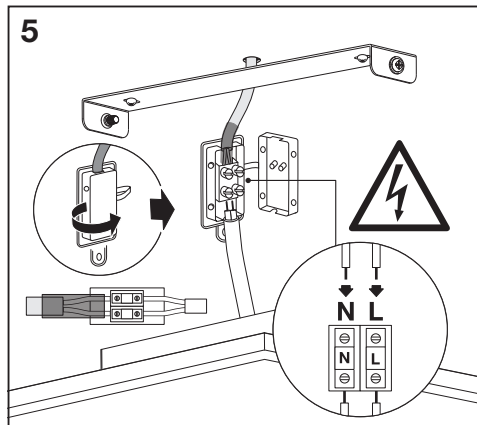


## SMART<sup>+</sup> PLANON PLUS



	EAN	W	lm	K	° (°C)	V~	mA	Hz	PF
SMART WIFI PLANON PLUS 30X30 TW	4058075525313	20	1500	3000-6500	-20...+40	220-240	110	50/60	>0.9
SMART WIFI PLANON PLUS 45X45 TW	4058075525337	28	2000	3000-6500	-20...+40	220-240	170	50/60	>0.9
SMART WIFI PLANON PLUS 60X30 TW	4058075525368	22	1600	3000-6500	-20...+40	220-240	140	50/60	>0.9
SMART WIFI PLANON PLUS 60X60 TW	4058075525382	36	3000	3000-6500	-20...+40	220-240	200	50/60	>0.9
SMART WIFI PLANON PLUS 120X30 TW	4058075525405	36	2700	3000-6500	-20...+40	220-240	200	50/60	>0.9







RoHS

C10449057  
G11102450  
22.10.2020



LEDVANCE GmbH  
Steinerne Furt 62  
86167 Augsburg, Germany  
[www.ledvance.com](http://www.ledvance.com)