

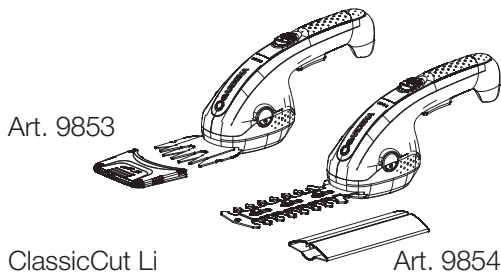


EN

FR

ES

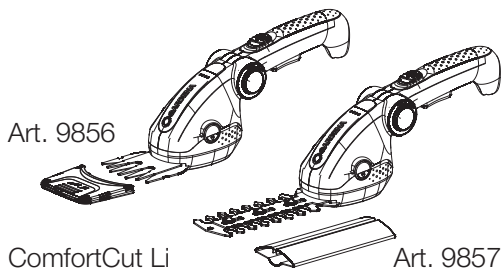
ZH



Art. 9853

ClassicCut Li

Art. 9854



Art. 9856

ComfortCut Li

Art. 9857

**EN Operators Manual**

Battery Grass and Shrub Shear

**FR Mode d'emploi**

Cisaille et taille-buisson à batterie

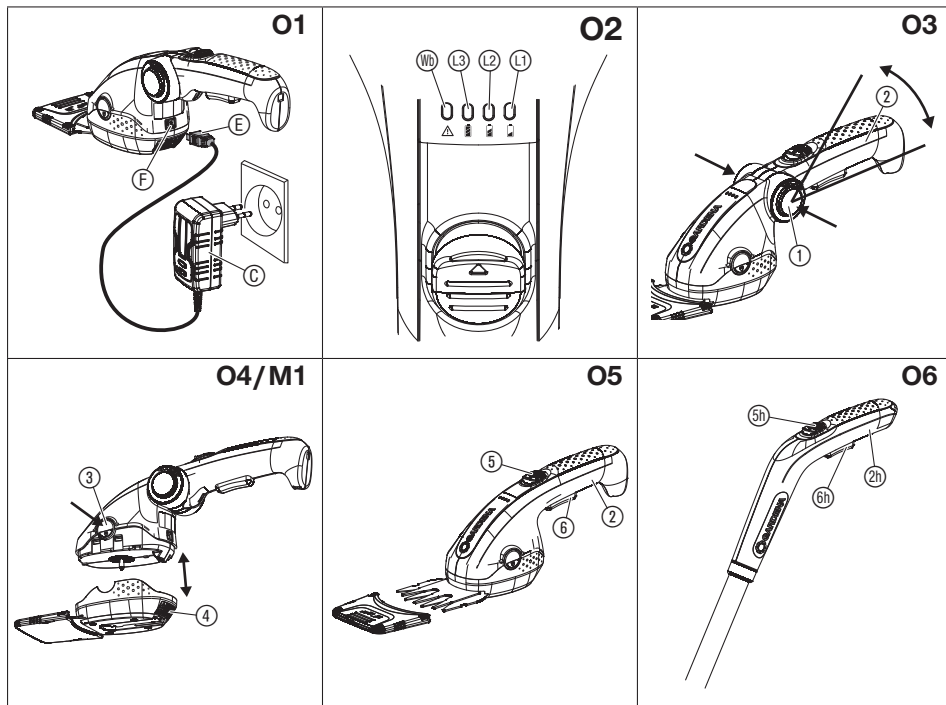
**ES Instrucciones de empleo**

Tijera cortacésped y recortasetos con Akku

**ZH 操作说明**

电池式草坪及灌木剪





# GARDENA Battery Grass and Shrub Shear

## ClassicCut Li / ComfortCut Li

1. SAFETY .....	5
2. OPERATION .....	11
3. MAINTENANCE .....	13
4. STORAGE .....	14
5. TROUBLESHOOTING .....	14
6. TECHNICAL DATA .....	15
7. ACCESSORIES .....	16
8. SERVICE/WARRANTY .....	17

### Original instructions.



This product is not intended for use by persons (including children) with reduced physical, sensory or mental capabilities, or lack of experience and knowledge, unless they have been given supervision or instruction concerning use of the product by a person responsible for their safety. Children should be supervised to ensure that they do not play with the product. The use of this product by young people under the age of 16 is not recommended.

### *Intended use with Grass Blade:*

The **GARDENA Battery Grass Shear** is intended to cut lawn edges and precise shaping of shrubs, especially boxwoods, in private domestic gardens and allotments.

### *Intended use with Shrub Blade:*

The **GARDENA Battery Shrub Shear** is intended to cut individual bushes, shrubs and climbing plants in private domestic gardens and allotments.

The product is not intended for continuous operation.



### **DANGER! Risk of injury!**

**Do not use the product to chop up material or to make compost.**

**With the Shrub Blade Art. 9863, the Battery Shear is not suited to cut lawns/lawn edges.**

# 1. SAFETY

## IMPORTANT!

Read the operator's manual carefully before use and keep for future reference.

### Symbols on the product:



Read operator's manual.



**Warning! Cutting means continues to run after the motor is switched off.**



Keep bystanders away.



Wear eye protection.



**Danger – Keep hands away from blade.**



Do not expose to rain.



**For the charger: Remove plug from the mains immediately if the cable is damaged or cut.**

### General safety warnings

#### General shrub shear safety warnings



#### **WARNING!**

**Read all safety warnings and all instructions!**

*Failure to follow the warnings and instructions may result in electric shock, fire and/or serious injury.*

**Save all warnings and instructions for future reference.** The term "power tool" in the warnings refers to your mains operated (corded) power tool or battery operated (cordless) power tool.

#### 1) Work area safety

##### a) Keep work area clean and well lit.

*Cluttered or dark areas invite accidents.*

##### b) Do not operate power tools in explosive atmospheres, such as in the presence of flammable liquids, gases or dust. Power tools create sparks which may ignite the dust or fumes.

##### c) Keep children and bystanders away while operating a power tool.

*Distractions can cause you to lose control.*

## 2) Electrical safety

- a) Power tool plugs must match the outlet. Never modify the plug in any way. Do not use any adaptor plugs with earthed (grounded) power tools.**

*Unmodified plugs and matching outlets will reduce risk of electric shock.*

- b) Avoid body contact with earthed or grounded surfaces, such as pipes, radiators, ranges and refrigerators. There is an increased risk of electric shock if your body is earthed or grounded.**

- c) Do not expose power tools to rain or wet conditions. Water entering a power tool will increase the risk of electric shock.**

- d) Do not abuse the cord. Never use the cord for carrying, pulling or unplugging the power tool. Keep cord away from heat, oil, sharp edges or moving parts. Damaged or entangled cords increase the risk of electric shock.**

- e) When operating a power tool outdoors, use an extension cord suitable for outdoor use. Use of a cord suitable for outdoor use reduces the risk of electric shock.**

- f) If operating a power tool in a damp location is unavoidable, use a residual current device (RCD) protected supply. Use of an RCD reduces the risk of electric shock.**

## 3) Personal safety

- a) Stay alert, watch what you are doing and use common sense when operating a power tool.**

**Do not use a power tool while you are tired or under the influence of drugs, alcohol or medication. A moment of inattention while operating power tools may result in serious personal injury.**

- b) Use personal protective equipment. Always wear eye protection.**

*Protective equipment such as dust mask, non-skid safety shoes, hard hat, or hearing protection used for appropriate conditions will reduce personal injuries.*

- c) Prevent unintentional starting. Ensure the switch is in the off-position before connecting to power source and/or battery pack, picking up or carrying the tool. Carrying power tools with your finger on the switch or energising power tools that have the switch on invites accidents.**

- d) Remove any adjusting key or wrench before turning the power tool on.**

*A wrench or a key left attached to a rotating part of the power tools may result in personal injury.*

- e) Do not overreach. Keep proper footing and balance at all times. This enables better control of the power tool in unexpected situations.**

- f) Dress properly. Do not wear loose clothing or jewellery. Keep your hair, clothing and gloves away from moving parts. Loose clothes, jewellery or long hair can be caught in moving parts.**

- g) If devices are provided for the connection of dust extraction and collection facilities, ensure these are connected and properly used.**

*Use of dust collection can reduce dust-related hazards.*

#### 4) Power tool use and care

- a) **Do not force the power tool. Use the correct power tool for your application.**

*The correct power tool will do the job better and safer at the rate for which it was designed.*

- b) **Do not use the power tool if the switch does not turn it on and off.**

*Any power tool that cannot be controlled with the switch is dangerous and must be repaired.*

- c) **Disconnect the plug from the power source and/or the battery pack from the power tool before making any adjustments, changing accessories, or storing power tools.**

*Such preventive safety measures reduce the risk of starting the power tool accidentally.*

- d) **Store idle power tools out of the reach of children and do not allow persons unfamiliar with the power tool or these instructions to operate the power tool.** *Power tools are dangerous in the hands of untrained users.*

- e) **Maintain power tools. Check for misalignment or binding of moving parts, breakage of parts and any other condition that may affect the power tool's operation. If damaged, have the power tool repaired before use.**

*Many accidents are caused by poorly maintained power tools.*

- f) **Keep cutting tools sharp and clean.**

*Properly maintained cutting tools with sharp cutting edges are less likely to bind and are easier to control.*

- g) **Use the power tool, accessories and tool bits etc. in accordance with these instructions, taking into account the working conditions and the work to be performed.**

*Use of the power tool for operations different from those intended could result in a hazardous situation.*

#### 5) Battery tool use and care

- a) **Recharge only with the charger specified by the manufacturer.** *A charger that is suitable for one type of battery pack may create a risk of fire when used with another battery pack.*

- b) **Use power tools only with specifically designated battery packs.** *Use of any other battery packs may create a risk of injury and fire.*

- c) **When battery pack is not in use, keep it away from other metal objects, like paper clips, coins, keys, nails, screws or other small metal objects, that can make a connection from one terminal to another.** *Shorting the battery terminals together may cause burns or a fire.*

- d) **Under abusive conditions, liquid may be ejected from the battery; avoid contact. If contact accidentally occurs, flush with water. If liquid contacts eyes, additionally seek medical help.** *Liquid ejected from the battery may cause irritation or burns.*

#### 6) Service

**Have your power tool serviced by a qualified repair person using only identical replacement parts.** *This will ensure that the safety of the power tool is maintained.*

**Hedge trimmer safety warnings:**

- **Keep all parts of the body away from the cutter blade. Do not remove cut material or hold material to be cut when blades are moving. Make sure the switch is off when clearing jammed material.**

*A moment of inattention while operating the hedge trimmer may result in serious personal injury.*

- **Carry the hedge trimmer by the handle with the cutter blade stopped. When transporting or storing the hedge trimmer always fit the cutting device cover.**

*Proper handling of the hedge trimmer will reduce possible personal injury from the cutter blades.*

- **Hold the power tool by insulated gripping surfaces only, because the cutter blade may contact hidden wiring or its own cord.**

*Cutter blades contacting a "live" wire may make exposed metal parts of the power tool "live" and could give the operator an electric shock.*

- **Keep cable away from the cutting area.**

*During operation the cable may be hidden in shrubs and can be accidentally cut by the blade.*

**Safe operation practices for grass shears****1 Training**

- a) Read the instructions carefully. Be familiar with the controls and the correct use of the machine.
- b) Never allow children or people unfamiliar with these instructions to use the machine. Local regulations can restrict the age of the operator.

- c) Keep in mind that the operator or user is responsible for accidents or hazards occurring to other people or their property.

**2 Preparation**

- a) Before use, check the supply and extension cord for signs of damage or aging. If the cord becomes damaged during use, disconnect the cord from the supply immediately. **DO NOT TOUCH THE CORD BEFORE DISCONNECTING THE SUPPLY.** Do not use the machine if the cord is damaged or worn.
- b) Before use, always visually inspect the machine for damaged, missing or misplaced guards or shields.
- c) Never operate the machine while people, especially children, or pets are nearby.

**3 Operation**

- a) Keep supply and extension cords away from cutting means.
- b) Wear eye protection and stout shoes at all times while operating the machine.
- c) Avoid using the machine in bad weather conditions especially when there is a risk of lightning.
- d) Use the machine only in daylight or good artificial light.
- e) Never operate the machine with damaged guards or shields or without guards or shields in place.
- f) Switch on the motor only when the hands and feet are away from the cutting means.



- g) Always disconnect the machine from the power supply (i. e. remove the plug from the mains remove the disabling device or removable battery)
- whenever the machine is left unattended,
  - before clearing a blockage,
  - before checking, cleaning or working on the machine,
  - after striking a foreign object,
  - whenever the machine starts vibrating abnormally.
- h) Take care against injury to feet and hands from the cutting means.
- i) Always ensure that the ventilation openings are kept clear of debris.

#### 4 Maintenance and storage

- a) Disconnect the machine from the power supply (i. e. remove the plug from the mains remove the disabling device or removable battery) before carrying out maintenance or cleaning work.
- b) Use only the manufacturer's recommended replacement parts and accessories.
- c) Inspect and maintain the machine regularly. Have the machine repaired only by an authorized repairer.
- d) When not in use, store the machine out of the reach of children.

#### Additional safety warnings

##### Battery safety



##### **DANGER! Fire risk!**

**The battery product to be charged must be placed on a nonflammable, heat resistant and non-conductive surface while charging.**

**Keep corrosive, flammable and easily combustible objects clear of the battery charger and the battery product.**

**Do not cover the battery charger and the battery product while charging.**

Disconnect the battery charger immediately in the event of smoke formation or fire.

Only use the original GARDENA Charger to charge the battery. The use of other battery chargers may damage the batteries irreparably and even cause a fire.

Do not charge any third-party batteries. There is a risk of fire and explosion!

If you notice fire: Extinguish the flames with oxygen reducing materials.



##### **DANGER! Risk of explosion!**

**Protect battery products from heat and fire. Do not leave on radiators or expose to strong sunshine for long periods.**

**Do not operate in explosive atmospheres, such as in the presence of flammable liquids, gases, or dust. Battery products may create sparks which could ignite the dust or fumes.**

Only charge and use the battery product in ambient temperatures of between 0 °C and 40 °C. Allow battery to cool down after long periods of use.

Check the charging cable regularly for signs of damage or ageing (brittleness). Only use it in perfect condition.

Do not stow or transport the battery product above 45 °C or in direct sunlight. Ideally, the battery product should be stored below 25 °C so that self-discharge is low.

Do not expose the battery product to rain or wet conditions. Water entering a battery product will increase the risk of electric shock.

If usage of the battery is not planned for a certain time (winter period) reload the battery to avoid a deep discharge.

Do not store the battery product in places where static electricity is present.

#### Electrical safety



**DANGER! Cardiac arrest!**

**This product makes an electromagnetic field while it operates. This field may under some conditions interfere with active or passive medical implants. To decrease the risk of conditions that can possibly injure or kill, we recommend persons with medical**

**implants to speak with their physician and the medical implant manufacturer before you operate the product.**

Thoroughly inspect the area where the product is to be used and remove all wires and other foreign objects.

Before using the product and after any impact, check for signs of wear or damage and repair as necessary.

If the product can no longer be switched off in the event of a defect, place the product on a solid surface and monitor it until the battery is empty. Send the defective product to our GARDENA Service Centre.

Never attempt to use an incomplete product or one with an unauthorised modification.

Stop the product if the product starts to vibrate abnormally. Check immediately. Excessive vibration can cause injury.

Do not use the product nearby a water.

Do not operate next to swimming pools or garden ponds.

#### Personal safety



**DANGER! Risk of suffocation!**

**Small parts can be easily swallowed. There is also a risk that the polybag can suffocate toddlers. Keep toddlers away when you assemble the product.**

Know how to stop the product quickly in an emergency.

Avoid contact to the oil of the blade in particular when you react allergic with it.

Only work in the daylight or when visibility is good.  
 Check your product before each use. Always visually inspect your Hedge Trimmer before each use. Check that the ventilation slots are not obstructed in any way.  
 Check the blade before usage.  
 Keep the blade well maintained.  
 If the product got hot while operation, let it cool down before storage.  
 Do not overload the product.

Warning! When wearing hearing protection, and due to the noise produced by the product, the operator may not notice persons approaching.  
 Always wear suitable clothing, protective gloves, and stout shoes.  
 Always ensure that you have a secure foothold whilst working.  
 Do not work on slippery surfaces.

## 2. OPERATION



### **DANGER! Risk of injury!**

**Cut injury when the product starts accidentally.**

→ **Wait for the blade to stop and slide the protective cover over the blade before you adjust or transport the product.**

**To charge the battery [Fig. 01]:**



### **CAUTION!**

**Overvoltage damages the battery and the charging power supply.**

→ **Make sure that you use the correct mains voltage.**

Before you use the battery the first time, the battery must be completely charged.

The lithium-ion battery can be charged in any state of charge and the charging process can be disconnected at any time without to damage the battery (no memory effect).

1. Connect the charging power supply ① into a mains socket.
2. Connect the battery charger cable ② to the charging socket ③.

**When the battery charging indicator ①/②/③ flashes green the battery is being charged.**

**When the battery charging indicator ① + ② + ③ illuminates green, the battery is completely charged** (Charging time see 6. TECHNICAL DATA).

3. Examine the charge status regularly while you charge.
4. When the battery is completely charged, disconnect the battery charger cable (E) from the charging socket (F).
5. Disconnect the charging power supply (C) from the mains.

### Battery charging indicator [Fig. O2]:

#### Battery charging indicator during charging:

100 % charged	(U), (L) and (R) illuminate (for 60 sec.)
66 – 99 % charged	(U) and (L) illuminate, (R) flashing
33 – 65 % charged	(U) illuminates, (L) flashes
0 – 32 % charged	(U) flashes

#### Battery charging indicator during operation (for 5 sec.):

66 – 99 % charged	(U), (L) and (R) illuminate
33 – 65 % charged	(U) and (L) illuminate
11 – 32 % charged	(U) illuminates
0 – 10 % charged	(U) flashes

### To adjust the handle (only for ComfortCut Li) [Fig. O3]:

The handle can be adjusted in 5 steps to suit individual requirements.

- Push the elbow joint (1) on both sides and adjust the handle (2) to the desired angle.

### To change the blade [Fig. O4]:

Only the GARDENA blade may be used:

- GARDENA Grass and Boxwood blade Art. 9862
- GARDENA Shrub blade Art. 9863

12

1. Press the lock buttons (3) on both sides at the same time and remove the blade (4).
2. Place the other blade (4).

### To start the battery shear:



#### DANGER! Risk of injury!

Risk of injury if the product does not stop when you release the start lever.

- Do not bypass the safety devices or switches. For example do not attach the start lever to the handle.

### To start:

The product is provided with a safety device (start lever with starting lockout) to prevent the product from being turned on by accident.

### Without telescopic handle [Fig. O5]:

1. Remove the protective cover from the blade.
2. Hold the handle (2), push the starting lockout (5) forward and pull the start lever (6).  
*The battery shear starts.*
3. Release the starting lockout (5) again.

### With telescopic handle [Fig. O6]:

When the telescopic handle is assembled, the starting lockout (5) and the start lever (6) on the battery shear are without function.

1. Assemble the telescopic handle.
2. Remove the protective cover from the blade.

3. Hold the handle (2b) on the telescopic handle, push the starting lockout (5b) on the telescopic handle forward and pull the start lever (6b) on the telescopic handle.  
*The battery shear starts.*
4. Release the starting lockout (5b) again.

**To stop:**

1. Release the two start lever (6)/(6b).  
*The battery shear stops.*
2. Wait for the blade to stop and slide the protective cover over the blade.

### 3. MAINTENANCE



**DANGER! Risk of injury!**  
Cut injury when the product starts accidentally.

→ Wait for the blade to stop and slide the protective cover over the blade before you maintain the product.

1. Push both lock buttons (3) at the same time and remove the blade (4).
2. Clean the product with a damp cloth.
3. Spray the blade with the **GARDENA Cleaning Spray, Art. 2366**.  
*Avoid contact of the oil with the plastic parts.*
4. Place the blade (4) again.

**To clean the battery shear [Fig. M1]:**



**DANGER! Risk of injury!**  
Risk of injury and risk of damage to the product.

1. Do not clean the product with water or with a water jet (in particular high-pressure water jet).
2. Do not clean with chemicals including petrol or solvents. Some can destroy critical plastic parts.

**To clean the charging power supply:**

Make sure that the surface and the contacts of the charging socket and the charging power supply always are clean and dry before you connect the charging power supply.

**Do not use running water.**

Clean the contacts and the plastic parts with a soft and dry cloth.

## 4. STORAGE

### To put into storage:

The product must be stored away from children.

1. Charge the battery.
2. Clean the battery shear and the charging power supply (see 3. MAINTENANCE).
3. Store the battery shear and the charging power supply in a dry, enclosed and frost-free place.

### Disposal:

(in accordance with RL2012/19/EC)



The product must not be disposed of to normal household waste. It must be disposed of in line with local environmental regulations.



The GARDENA battery contains lithium-ion cells that should not be disposed of with normal household waste at the end of its life.

### IMPORTANT!

Dispose of the product through or via your municipal recycling collection centre.

## 5. TROUBLESHOOTING



**DANGER! Risk of injury!**

Cut injury when the product starts accidentally.

→ Wait for the blade to stop and slide the protective cover over the blade before you troubleshoot the product.

Problem	Possible Cause	Remedy
Cut is not clean	Blade is blunt or damaged.	→ Replace the blade.
Runtime too low	Blade is soiled.	→ Clean the blade.

Problem	Possible Cause	Remedy
Battery shear does not start. ⓘ flashes green [ Fig. 02 ]	Battery is empty.	→ Charge the battery.
Battery shear does not start. Error-LED ⓘ flashes red [ Fig. 02 ]	Blade is blocked (overcurrent).	→ Remove the obstacle.
Battery shear can no longer be stopped	Start lever is stuck.	→ See 1. SAFETY.
Error-LED ⓘ illuminates	Battery error/battery defective.	→ Contact the GARDENA Service.



**NOTE: For any other malfunctions please contact the GARDENA service department.**  
Repairs must only be done by GARDENA service departments or specialist dealers approved by GARDENA.

## 6. TECHNICAL DATA

Battery Shear	Unit	Value (Art. 9853) with grass blade	Value (Art. 9854) with shrub blade	Value (Art. 9856) with grass blade	Value (Art. 9857) with shrub blade	Battery Shear	Unit	Value (Art. 9853) with grass blade	Value (Art. 9854) with shrub blade	Value (Art. 9856) with grass blade	Value (Art. 9857) with shrub blade
Strokes	1/min	1000	1000	1000	1000	Sound power level $L_{WA}$ <sup>2)</sup> measured / guaranteed Uncertainty $k_{WA}$	dB (A)	79 / 80		79 / 80	
Width of grass blade	mm	80	–	80	–			0.35		0.4	
Length of shrub blade	cm	–	12.5	–	12.5						
Weight	g	575	640	635	700	Hand/arm vibration $a_{vhw}$ <sup>1)</sup> Uncertainty $k_a$	m/s <sup>2</sup>	< 2.5	< 2.5	< 2.5	< 2.5
Sound pressure level $L_{PA}$ <sup>1)</sup> Uncertainty $k_{PA}$	dB (A)	< 70	< 70	< 70	< 70			1.5	1.5	1.5	1.5

Measuring process complying with: <sup>1)</sup> EN 60745-2-15; <sup>2)</sup> RL 2000/14/EC



**NOTE:** The stated vibration emission value has been measured according to a standardized test procedure and can be used for comparison of one electric power tool with another. It can also be used for preliminary evaluation of exposure. The vibration emission value can vary during actual use of the electric power tool.

Set Art. 9854 consisting of Art. 9853 ClassicCut Li with Shrub Blade Art. 9863.

Set Art. 9857 consisting of Art. 9856 ComfortCut Li with Grass Blade Art. 9862 and Shrub Blade Art. 9863.

Battery	Unit	Value (ClassicCut Li)	Value (ComfortCut Li)
Battery voltage	V (DC)	3.6	3.6
Battery capacity	Ah	2.5	3.0
Battery charging time 80%/100% (approx.)	min.	130 / 175	150 / 200

## 7. ACCESSORIES

<b>GARDENA Grass and Box-wood Blade</b>	For cutting grass and boxwood.	<b>Art. 9862</b>
<b>GARDENA Shrub Blade</b>	For cutting shrubs.	<b>Art. 9863</b>
<b>GARDENA Telescopic Handle</b>	For upright cutting.	<b>Art. 9859</b>

Charging Power Supply	Unit	Value
Mains voltage	V (AC)	100 – 240
Mains frequency	Hz	50 – 60
Rated Power	W	10
Output voltage	V (DC)	5
Max. output current	mA	1000

<b>GARDENA Wheel Assy</b>	To support cutting.	<b>Art. 9861</b>
<b>GARDENA Cleaning Spray</b>	Extends the life of the blade and maintains the battery life.	<b>Art. 2366</b>



## 8. SERVICE/WARRANTY

### **Service:**

Please contact the address on the back page.

### **Warranty statement:**

In the event of a warranty claim, no charge is levied to you for the services provided.

GARDENA Manufacturing GmbH grants a warranty for all original GARDENA new products for two years from the date of original purchase from the retailer, provided that the devices have been for private use only. This manufacturer's warranty does not apply to products acquired second hand. This warranty includes all significant defects of the product that can be proved to be material or manufacturing faults. This warranty is fulfilled by supplying a fully functional replacement product or by repairing the faulty product sent to us free of charge; we reserve the right to choose between these options. This service is subject to the following provisions:

- The product has been used for its intended purpose as per the recommendations in the operating instructions.
- Neither the purchaser nor a third party has attempted to open or repair the product.
- Only Original GARDENA replacement parts and wear parts have been used for operation.
- Presentation of the receipt.

Normal wear and tear of parts and components (such as blades, blade fixing parts, turbines, light bulbs, V-belts/toothed belts, impellers, air filters, spark plugs), visual changes, wear parts and consumables are excluded from the warranty.

This manufacturer's warranty is limited to replacement and repair of products in accordance with the abovementioned conditions. The manufacturer's warranty does not constitute an entitlement to lodge other claims against us as a manufacturer, such as for damages. This manufacturer's warranty does **not**, of course, affect statutory and contractual warranty claims against the dealer/retailer.

The manufacturer's warranty is governed by the law of the Federal Republic of Germany.

In case of a warranty claim, please return the faulty product, together with a copy of the receipt and a description of the fault, with postage paid to the service address.

### **Consumables:**

The shear blades are consumables and are not included in the warranty.

# Cisaille et taille-buisson à batterie GARDENA

## ClassicCut Li / ComfortCut Li

1. SECURITE .....	19
2. UTILISATION .....	26
3. MAINTENANCE .....	28
4. ENTREPOSAGE .....	29
5. DÉPANNAGE .....	29
6. CARACTÉRISTIQUES TECHNIQUES .....	30
7. ACCESSOIRES .....	31
8. SERVICE/GARANTIE .....	33

### Traduction des instructions originales.



Ce produit n'est pas destiné à être utilisé par des personnes (y compris des enfants) ayant des capacités physiques, sensorielles ou mentales limitées ou ne disposant pas d'expérience et/ou de connaissances, sauf si elles sont surveillées par une personne responsable de leur sécurité ou ont reçu de cette dernière des instructions d'utilisation du produit. Surveillez les enfants pour vous assurer qu'ils ne jouent pas avec le produit. L'âge recommandé pour l'utilisation du produit par des jeunes gens est de 16 ans au moins.

### **Utilisation conforme avec lame à gazon :**

La **Cisaille à gazon à batterie GARDENA** est conçue pour couper des bordures de pelouse et pour tailler selon une forme spéciale des arbustes, en particulier le buis, dans le jardin privé familial ou de loisir.

### **Utilisation conforme avec lame pour arbustes :**

Le **Taille-buisson à batterie GARDENA** est conçu pour tailler buissons, arbustes et haies isolés dans le jardin privé familial ou de loisir.

Le produit ne convient pas pour une utilisation continue.



### **DANGER ! Risque de blessure !**

**N'utilisez pas le produit pour réduire en morceaux du matériau ou pour faire du compostage.**

**Avec la lame pour arbustes réf. 9863, la cisaille à batterie ne convient pas pour couper le gazon/ les bordures de pelouse.**

# 1. SECURITE

## IMPORTANT !

Lisez la notice d'utilisation attentivement et conservez-la pour vous y référer ultérieurement.

### Symboles sur le produit :



Lisez le mode d'emploi.



Attention ! Le système de coupe continue de tourner après avoir arrêté le moteur.



Tenir les autres personnes à distance.



Portez des lunettes de protection.



Danger – Gardez les mains à distance de la lame.



Ne pas exposer à la pluie.



Pour le chargeur : Coupez immédiatement la fiche du secteur lorsqu'une ligne électrique a été endommagée ou sectionnée.

### Consignes de sécurité générales

#### Consignes de sécurité générales pour taille-buissons



#### AVERTISSEMENT !

Lisez toutes les consignes de sécurité et instructions. *Tout manquement au respect des consignes de sécurité et instructions peut être la cause d'un choc électrique, d'un incendie et/ou de blessures graves.*

Conservez toutes les consignes de sécurité et instructions pour référence future. *Le terme « outil électrique » utilisé dans les consignes de sécurité se rapporte aux outils (avec cordon d'alimentation) alimentés sur le secteur domestique et à tous les outils électriques sans fil alimentés par des batteries (sans cordon d'alimentation).*

#### 1) Sécurité sur le lieu de travail

- a) Assurez-vous que toutes les zones de travail sont propres et bien éclairées. *Le désordre ou les zones de travail non éclairées peuvent entraîner des accidents.*
- b) N'utilisez pas l'outil électrique dans un environnement explosif, dans lequel se trouvent des liquides

**inflammables, des gaz ou des poussières.** *Les outils électriques créent des étincelles qui peuvent provoquer l'inflammation de la poussière ou des vapeurs.*

**c) Maintenez les enfants et autres personnes à distance pendant l'utilisation de l'outil électrique.**

*Les distractions peuvent être la cause d'une perte de contrôle de l'appareil.*

**2) Sécurité électrique**

**a) La fiche de l'outil électrique doit être adaptée à la prise de courant. La fiche ne doit jamais être modifiée de quelque manière que ce soit. N'utilisez jamais d'adaptateur avec des outils électriques mis à la terre.**

*Les fiches d'origine et les prises correspondantes réduisent les risques de choc électrique.*

**b) Évitez tout contact corporel avec les surfaces mises à la terre, telles que les tuyaux, les appareils de chauffage, les cuisinières et les réfrigérateurs. Si votre corps est relié à la terre, le risque de choc électrique est supérieur.**

**c) N'exposez pas les outils électriques à la pluie ou à l'humidité. La pénétration d'eau à l'intérieur d'un outil électrique augmente les risques de choc électrique.**

**d) N'utilisez pas le câble pour transporter, suspendre ou débrancher l'outil électrique. Maintenez le câble à distance de toute source de chaleur, d'huile, de bords coupants ou de pièces de l'appareil en mouvement. Un câble endommagé ou emmêlé augmente le risque de choc électrique.**

**e) Lors de l'utilisation d'un outil électrique en extérieur, utilisez uniquement une rallonge appropriée pour une utilisation extérieure.**

*L'utilisation d'une rallonge appropriée pour une utilisation extérieure réduit le risque de choc électrique.*

**f) Si l'utilisation d'un outil électrique dans un lieu humide est inévitable, branchez l'outil sur une alimentation électrique protégée par un disjoncteur différentiel. La présence d'un disjoncteur différentiel réduit le risque de choc électrique.**

**3) Sécurité des personnes**

**a) Soyez attentif et restez concentré sur le travail en cours et utilisez l'outil électrique de manière raisonnable. N'utilisez pas un outil électrique si vous êtes fatigué ou sous l'influence de drogues, d'alcool ou de médicaments.**

*Il suffit d'un moment d'inattention pendant l'utilisation d'un outil électrique pour se blesser gravement.*

**b) Portez les équipements de protection individuelle et toujours des lunettes de protection. Le port des équipements de protection individuelle tels que le masque anti poussière, les chaussures de sécurité antidérapantes, le casque de protection ou les protections auditives, en fonction de la nature et de l'utilisation de l'outil électrique réduit le risque de blessures.**

**c) Évitez tout risque de mise en service accidentelle. Assurez-vous que l'outil électrique est sur la position arrêt avant de brancher l'alimentation électrique et/ou la batterie, de saisir l'outil ou de le transporter.**

*Il est dangereux de porter l'outil électrique en conservant le doigt sur l'interrupteur ou de brancher l'appareil à l'alimentation électrique alors que l'interrupteur est en position marche.*

- d) Retirez tout outil de réglage ou clé avant d'allumer l'outil électrique.** *Un outil ou une clé se trouvant dans une pièce de l'appareil en mouvement peut causer des blessures.*
- e) Évitez une posture anormale. Veillez toujours à adopter une position stable et à maintenir l'équilibre à tout moment.** *Cela permet de mieux contrôler l'outil électrique dans des situations inattendues.*
- f) Portez des vêtements appropriés. Ne portez pas de vêtements amples ou de bijoux. Maintenez les cheveux, les habits et les gants de jardin hors de portée des pièces de l'outil en mouvement.** *Les vêtements amples, les bijoux ou les cheveux longs peuvent être happés par les pièces de l'outil en mouvement.*
- g) Si des dispositifs d'extraction et de collection de la poussière peuvent être montés, assurez-vous qu'ils sont en place et utilisés correctement.** *L'utilisation d'un dispositif d'extraction de poussière réduit les risques inhérents à la présence de poussière.*
- 4) Utilisation et traitement de l'outil électrique**
- a) Ne forcez pas en utilisant l'appareil. Utilisez l'outil électrique adapté à votre travail.** *L'outil électrique approprié permettra de mieux réaliser la tâche et de manière plus sûre au régime indiqué.*
- b) N'utilisez pas l'outil électrique si l'interrupteur est défectueux.** *Tout outil électrique qui ne peut pas être contrôlé par son interrupteur est dangereux et doit être réparé.*
- c) Débranchez la fiche de la prise électrique et/ou retirez la batterie avant d'effectuer des réglages de l'appareil, de changer d'accessoires ou de ranger l'outil.** *De telles mesures préventives réduisent le risque de démarrage accidentel de l'outil électrique.*
- d) Rangez les outils électriques non utilisés hors de portée des enfants. N'autorisez pas des personnes qui ne sont pas familières avec l'utilisation de cet appareil et qui n'ont pas lu ces instructions à s'en servir.** *Les outils électriques sont dangereux entre les mains de personnes inexpérimentées.*
- e) Entretenez les outils électriques avec soin. Vérifiez le bon fonctionnement des pièces mobiles et qu'elles ne coincent pas, qu'il n'y a pas de pièces fracturées ou autrement endommagées qui puissent affecter le fonctionnement de l'outil électrique. En cas de dommages, faites réparer l'appareil avant de l'utiliser.** *Un grand nombre d'accidents résultent d'un mauvais entretien des outils électriques.*
- f) Maintenez les outils de coupe aiguisés et propres.** *Des outils de coupe bien entretenus et bien aiguisés présentent moins de risques de se coincer et sont plus faciles à contrôler.*
- g) Utilisez l'outil électrique, ses accessoires et les outils insérables, etc. conformément à ces**

**instructions, en tenant compte des conditions de travail et de la tâche à réaliser.**

*L'utilisation d'outils électriques pour des applications différentes de celles pour lesquelles ils ont été conçus peut être la cause d'une situation dangereuse.*

### 5) Utilisation et traitement de l'outil à batterie

**a) Chargez les batteries uniquement à l'aide de chargeurs recommandés par le fabricant.** *Un chargeur destiné à un type particulier de batteries est exposé au risque d'incendie s'il est utilisé avec d'autres batteries.*

**b) Utilisez uniquement les batteries prévues à cet effet dans les outils électriques.**

*L'utilisation d'autres batteries peut entraîner des blessures ainsi qu'un risque d'incendie.*

**c) Lorsque vous n'utilisez pas les batteries, rangez-les loin de trombones, de pièces de monnaie, de clés, de clous, de vis et d'autres petits objets métalliques susceptibles de provoquer un pontage des contacts.**

*Un court-circuit entre les contacts des batteries peut entraîner des brûlures ou provoquer un incendie.*

**d) En cas de mauvaise utilisation, du liquide est susceptible de s'échapper de la batterie. Evitez tout contact avec ce liquide. En cas de contact involontaire, rincez avec de l'eau. Si le liquide entre en contact avec les yeux, adressez-vous immédiatement à un médecin.**

*Le liquide s'échappant des batteries peut provoquer des démangeaisons ou des brûlures.*

### 6) Service

**Confiez la réparation de votre outil électrique uniquement à du personnel spécialisé et qualifié qui utilisera uniquement des pièces de rechange d'origine.** *Cela garantit le maintien de la sécurité de l'outil électrique.*

#### Consignes de sécurité pour taille-haies :

- **Restez entièrement hors de portée de la lame de coupe. N'essayez pas de repousser les coupes ou de tenir la matière à couper lorsque la lame est en mouvement. Assurez-vous de mettre l'interrupteur en position arrêt sur l'appareil avant de retirer les coupes coincées.**

*Il suffit d'un moment d'inattention pendant l'utilisation du taille-haies pour se blesser gravement.*

- **Transportez le taille-haies par la poignée en vous assurant que la lame n'est plus en mouvement. Pendant le transport ou pour le rangement du taille-haies, mettez toujours le cache de protection en place.**

*La manipulation prudente de l'appareil réduit les risques de blessures par la lame.*

- **Tenez l'outil électrique uniquement par les surfaces isolées de la poignée, car la lame de coupe est susceptible d'entrer en contact avec des lignes électriques dissimulées ou avec son propre cordon d'alimentation.**

*Le contact de la lame de coupe avec une ligne conductrice de tension peut mettre sous tension des parties métalliques de l'appareil et provoquer un choc électrique.*

- **Maintenez le câble à distance de la zone de coupe.** *Pendant l'opération de coupe, le câble peut être caché par des buissons et être sectionné par accident.*

## Sécurité de fonctionnement pour cisailles à gazon

### 1 Formation

- a) Lisez la notice attentivement. Familiarisez-vous avec les commandes et l'utilisation conforme de la machine.
- b) N'autorisez jamais des personnes qui ne connaissent pas les présentes consignes ou des enfants à utiliser la machine. Des prescriptions en vigueur localement peuvent restreindre l'âge l'utilisateur.
- c) Il faut noter que l'utilisateur est lui-même responsable des accidents ou mises en danger d'autres personnes ou de ses propres biens.

### 2 Préparation

- a) Avant utilisation, il faut vérifier la présence de signes de dommages ou de vieillissement sur le cordon de branchement et la rallonge. Si le cordon est endommagé en cours d'utilisation, il faut le débrancher immédiatement du secteur.  
**NÉ PAS TOUCHER LE CORDON AVANT QU'IL SOIT DÉBRANCHÉ DU SECTEUR.**  
 Ne pas utiliser la machine si le cordon est endommagé ou usé.
- b) Avant utilisation, vérifier visuellement si les dispositifs et capots de sécurité de la machine sont endommagés, absents ou mal installés.

- c) Ne jamais mettre la machine en marche si des personnes, notamment des enfants, ou des animaux domestiques se trouvent à proximité.

### 3 Fonctionnement

- a) Tenir le cordon de branchement et la rallonge à distance du dispositif de coupe.
- b) Il faut porter une protection des yeux et de solides chaussures pendant toute la durée d'utilisation de la machine.
- c) Il faut éviter d'utiliser la machine dans de mauvaises conditions météorologiques, notamment en cas de risque de foudre.
- d) N'utiliser la machine qu'à la lumière du jour ou avec un bon éclairage artificiel.
- e) Ne jamais utiliser la machine avec un couvercle ou un dispositif de sécurité endommagé ou sans couvercle ni dispositifs de sécurité.
- f) N'allumer le moteur que si les mains et les pieds se trouvent hors de portée du dispositif de coupe.
- g) Toujours débrancher la machine de l'alimentation électrique (c'est-à-dire débrancher la fiche du secteur, retirer le dispositif de blocage ou la pile amovible)
  - si la machine est laissée sans surveillance;
  - avant de retirer un blocage;
  - avant de contrôler, nettoyer ou traiter la machine;
  - après un contact avec un corps étranger;
  - si la machine commence à vibrer de façon inhabituelle.

- h) Attention aux blessures occasionnées aux pieds et aux mains par le dispositif de coupe.
- i) Toujours s'assurer que les ouvertures d'aération sont exemptes de corps étrangers.

#### 4 Entretien et rangement

- a) La machine doit être débranchée de l'alimentation électrique (c'est-à-dire débrancher la fiche du secteur, retirer le dispositif de blocage ou la pile amovible) avant de réaliser les travaux de maintenance et d'entretien.
- b) Il ne faut utiliser que des pièces de rechange et accessoires recommandés par le fabricant.
- c) La machine doit être vérifiée et bénéficier d'une maintenance régulièrement. L'entretien de la machine ne doit être réalisé que dans un atelier agréé.
- d) Si la machine n'est pas utilisée, elle doit être rangée hors de portée des enfants.

#### Consignes de sécurité supplémentaires

##### Maniement sûr des batteries



**DANGER ! Risque d'incendie !**

**Pendant la charge, le produit à batterie à charger doit se trouver sur une surface ininflammable, résistante à la chaleur et non conductrice.**

**Tenez les objets corrosifs ou facilement inflammables à distance du chargeur et du produit à batterie.**

#### **Le chargeur et le produit à batterie ne doivent pas être couverts pendant la charge.**

En cas de formation de fumée ou d'incendie, débranchez le chargeur immédiatement de l'alimentation électrique.

Pour charger la batterie, utilisez uniquement le chargeur original GARDENA. Utiliser d'autres chargeurs peut occasionner des dommages irréparables aux batteries voire déclencher un incendie.

Ne chargez aucune batterie d'autres fabricants. Risque d'incendie et d'explosion !

En cas d'incendie : éteignez les flammes avec des matériels d'extinction qui appauvrissent en oxygène.



**DANGER ! Risque d'explosion !**

**Protégez les produits à batterie contre la chaleur et le feu. Ne déposez pas les produits à batterie sur des radiateurs et ne les exposez pas pour une longue période à un fort rayonnement solaire.**

**Ne les utilisez pas dans des atmosphères explosives, p.ex. à proximité de liquides, gaz ou accumulations de poussières inflammables. L'utilisation de produits à batterie peut entraîner la formation d'étincelles à cause desquelles la poussière ou les vapeurs peuvent s'allumer.**

Chargez et utilisez le produit à batterie exclusivement à des températures ambiantes comprises entre 0 °C et 40 °C. Après une longue utilisation, laissez la batterie refroidir.



Vérifiez régulièrement les signes de dommages et de vieillissement (friabilité) sur le câble de chargement. Utilisez le câble exclusivement dans un état impeccable.

Ne stockez et ne transportez en aucun cas le produit à batterie à des températures supérieures à 45 °C ou directement au soleil. Le produit à batterie doit idéalement être conservé à des températures inférieures à 25 °C afin que l'auto-décharge reste faible.

N'exposez le produit à batterie ni à la pluie ni à l'humidité. Le risque de choc électrique augmente si de l'eau pénètre dans le produit à batterie.

Si la batterie n'est pas utilisée pendant une longue période (hiver), chargez-la complètement afin d'éviter une décharge profonde.

Ne stockez pas le produit à batterie dans des pièces dans lesquelles des décharges électrostatiques surviennent.

### Sécurité électrique



**DANGER ! Arrêt cardiaque !**

**Ce produit génère un champ électromagnétique en cours de fonctionnement. Dans certaines conditions, ce champ peut avoir des effets sur le fonctionnement d'implants médicaux actifs ou passifs. Pour exclure le danger de situations pouvant entraîner des blessures graves ou mortelles, les personnes disposant d'un implant médical doivent consulter leur médecin et le fabricant de l'implant avant d'utiliser ce produit.**

Inspectez soigneusement le terrain sur lequel le produit doit être utilisé et éliminez tous les câbles et objets étrangers.

Avant l'utilisation et après tout choc brutal, vérifiez que le produit ne présente aucun signe d'usure ou de dommage. Si besoin, faire procéder aux travaux de réparation correspondants.

Si, en présence d'un défaut, il n'est plus possible d'éteindre le produit, poser celui-ci sur un support ferme et attendre tout en observant que la batterie soit vide. Envoyer le produit défectueux au service après-vente GARDENA.

N'utilisez jamais un produit qui ne serait pas en parfait état de fonctionnement ou qui aurait subi une réparation non conforme.

Éteignez le produit si celui-ci commence à vibrer anormalement. Des vibrations importantes peuvent provoquer des blessures.

N'utilisez pas le produit à proximité d'eau.

Ne travaillez pas à proximité de piscines ou d'étangs de jardin.

### Sécurité individuelle



**DANGER ! Risque d'asphyxie !**

**Les petites pièces peuvent être avalées. Les petits enfants peuvent s'étouffer avec le sac en plastique. Maintenez les petits enfants à l'écart pendant le montage.**

Vous devez savoir comment éteindre immédiatement ce produit en cas d'urgence.

Évitez de toucher l'huile de la lame, en particulier si vous y réagissez de façon allergique.

Travaillez uniquement à la lumière du jour ou dans de bonnes conditions de visibilité.

Contrôlez votre produit avant chaque utilisation.

Avant chaque utilisation, effectuez un contrôle visuel du produit. Contrôlez si les prises d'air sont libres.

Contrôlez la lame avant toute utilisation.

Maintenez la lame dans un état d'entretien impeccable.

Si une forte production de chaleur se produit pendant le fonctionnement du produit, laissez refroidir celui-ci avant de l'entreposer.

Ne forcez pas en utilisant le produit.

Avertissement ! Par le fait du port d'une protection acoustique et des bruits provoqués par le produit, il se peut que l'utilisateur ne remarque pas des personnes qui s'approchent.

Portez toujours des vêtements appropriés, des gants de protection et des chaussures rigides.

Assurez-vous de porter des chaussures rigides pendant le travail.

Ne travaillez pas sur un sol glissant.

## 2. UTILISATION



### **DANGER ! Risque de blessure !**

**Risque de blessure par coupures si le produit démarre de façon inopinée.**

→ **Attendez que la lame se soit arrêtée et enflez le cache de protection sur la lame avant de régler ou de transporter le produit.**

### **Charger la batterie [fig. 01] :**



### **ATTENTION !**

**La surtension endommage la batterie et le bloc d'alimentation de chargement.**

→ **Assurez-vous d'utiliser la bonne tension de secteur.**

La batterie doit être complètement chargée avant la première utilisation.

La batterie lithium-ion peut être utilisée avec n'importe quel état de charge et la charge peut être interrompue à tout instant sans l'endommager (pas d'effet mémoire).

1. Branchez le bloc d'alimentation de chargement (C) à une prise de courant.
2. Branchez le câble de chargement (E) de la batterie à la prise de chargement (F).

**Si les témoins de contrôle de charge de batterie (1)/(2)/(3) clignotent en vert, la batterie est en charge.**

**Si les témoins de contrôle de charge de batterie (1) + (2) + (3) s'allument en vert, la batterie est entièrement chargée** (durée de chargement voir 6. CARACTÉRISTIQUES TECHNIQUES).

3. Vérifiez l'état de charge à intervalles réguliers pendant la charge.
4. Lorsque la batterie est entièrement chargée, débranchez le câble de chargement de batterie (E) de la prise de chargement (F).
5. Débranchez le bloc d'alimentation de chargement (C) de la prise de courant.

**Témoin de charge de la batterie [fig. O2] :**

**Témoin de charge de la batterie pendant la charge :**

100 % chargée	(1), (2) et (3) s'allument (pour 60 sec.)
chargée à 66 – 99 %	(1) et (2) s'allument, (3) clignote
chargée à 33 – 65 %	(1) s'allume, (2) clignote
chargée à 0 – 32 %	(1) clignote

**Témoin de charge de la batterie pendant l'utilisation (pour 5 sec.) :**

chargée à 66 – 99 %	(1), (2) et (3) s'allument
chargée à 33 – 65 %	(1) et (2) s'allument
chargée à 11 – 32 %	(1) s'allume
chargée à 0 – 10 %	(1) clignote

**Régler la poignée (uniquement pour ComfortCut Li) [fig. O3] :**

La poignée est dotée de 5 niveaux de réglage, ce qui permet une adaptation aux besoins individuels.

→ Appuyez des deux côtés du dispositif de réglage articulé (1) et réglez la poignée (2) selon l'angle souhaité.

**Changer la lame [fig. O4] :**

Utiliser uniquement des lames d'origine de GARDENA :

- Lames pour gazon et buis GARDENA, réf. 9862
- Lames pour arbustes GARDENA, réf. 9863

1. Appuyez simultanément des deux côtés sur les touches d'arrêt (3) et retirez la lame (4).
2. Mettez l'autre lame (4) en place.

**Démarrage de la cisaille à batterie :**



**DANGER ! Risque de blessure !**

Il y a un risque de blessures si le produit ne s'arrête pas lorsque le levier de démarrage est relâché.

→ Ne contournez pas les dispositifs de sécurité ou interrupteurs. Par exemple, ne fixez pas le levier de démarrage à la poignée.

**Démarrage :**

Le produit est équipé d'un dispositif de sécurité (levier de démarrage avec touche de blocage) qui empêche toute mise en marche accidentelle du produit.

**Sans manche télescopique [fig. O5] :**

1. Retirez le cache de protection de la lame.
2. Tenez la poignée (2), poussez la touche de blocage (5) vers l'avant, puis tirez le levier de démarrage (6).  
*La cisaille à batterie démarre.*
3. Relâchez la touche de blocage (5).

**Avec manche télescopique [fig. O6] :**

**Lorsque le manche télescopique est monté, la touche de blocage (5) et le levier de démarrage (6) sur la cisaille à batterie ne fonctionnent pas.**

1. Montez le manche télescopique.

2. Retirez le cache de protection de la lame.
3. Tenez la poignée (2n) sur le manche télescopique, poussez la touche de blocage (5n) sur le manche télescopique vers l'avant, puis tirez le levier de démarrage (6n) sur le manche télescopique.  
*La cisaille à batterie démarre.*
4. Relâchez la touche de blocage (5n).

**Arrêt :**

1. Relâcher le levier de démarrage (6)/(6n).  
*La cisaille à batterie s'arrête.*
2. Attendez que la lame se soit arrêtée et enfitez le cache de protection sur la lame.

### 3. MAINTENANCE

**DANGER ! Risque de blessure !**

Risque de blessure par coupures si le produit démarre de façon inopinée.

→ Attendez que la lame se soit arrêtée et enfitez le cache de protection sur la lame avant d'entretenir le produit.

**Nettoyage de la cisaille à batterie [fig. M1] :****DANGER ! Risque de blessure !**

Risque de blessure et de dommage au produit.

1. Ne nettoyez pas le produit avec de l'eau ou avec un jet d'eau (surtout un jet d'eau à haute pression).
2. N'utilisez pas de produits chimiques, ni d'essence ou de solvants pour le nettoyage. Certains peuvent détruire des pièces importantes en plastique.

1. Appuyez simultanément sur les deux touches d'arrêt ③ et retirez la lame ④.
2. Nettoyez le produit avec un chiffon humide.
3. Pulvérisez la lame avec du **spray d'entretien des outils électriques GARDENA réf. 2366**.  
*Évitez tout contact de l'huile avec les pièces en plastique.*
4. Remettez la lame ④ en place.

#### **Nettoyer le bloc d'alimentation de chargement :**

Assurez-vous que la surface et les contacts de la prise de chargement et du bloc d'alimentation de chargement sont toujours propres et secs avant de brancher le bloc d'alimentation de chargement.

#### **N'utilisez pas d'eau courante.**

Nettoyez les contacts et les parties en plastique avec un chiffon doux et sec.

## 4. ENTREPOSAGE

### **Mise hors service :**

**Le produit doit être rangé hors de portée des enfants.**

1. Chargez la batterie.
2. Nettoyez la cisaille à batterie et le bloc d'alimentation de chargement (voir 3. MAINTENANCE).
3. Rangez la cisaille à batterie et le bloc d'alimentation de chargement dans un endroit sec, fermé et à l'abri du gel.

### **Élimination :**

(conformément à la directive 2012/19/UE)



Le produit ne doit pas être jeté avec les déchets ménagers normaux. Il doit être éliminé conformément aux prescriptions locales de protection de l'environnement en vigueur.



La batterie GARDENA contient des piles au lithium-ion qui doivent être éliminées séparément des déchets ménagers normaux quand elles arrivent en fin de vie.

### **IMPORTANT !**

Éliminez le produit par le biais de votre point de collecte et de recyclage local.

## 5. DÉPANNAGE

FR



**DANGER ! Risque de blessure !**  
Risque de blessure par coupures si le produit démarre de façon inopinée.

→ Attendez que la lame se soit arrêtée, enfitez le cache de protection sur la lame, avant d'éliminer les défauts du produit.

Problème	Cause possible	Remède
La coupe n'est pas nette	La lame est émoussée ou endommagée.	→ Remplacez la lame.
L'autonomie est trop faible	La lame est sale.	→ Nettoyez la lame.
La cisaille à batterie ne démarre pas. ⓘ clignote en vert [fig. 02]	La batterie est vide.	→ Chargez la batterie.
La cisaille à batterie ne démarre pas. La LED de défaut ⓘ clignote en rouge [fig. 02]	La lame est bloquée (surintensité).	→ Retirez l'obstacle.
Il n'est pas possible d'arrêter la cisaille à batterie	Le levier de démarrage est bloqué.	→ Voir 1. SÉCURITÉ.
La LED de défaut ⓘ s'allume	Défaut de la batterie/ batterie défectueuse.	→ Adressez-vous au service après-vente GARDENA.



**CONSEIL :** veuillez vous adresser à votre centre de service après-vente GARDENA pour tout autre incident. Les réparations doivent uniquement être effectuées par les centres de service après-vente GARDENA ainsi que des revendeurs autorisés par GARDENA.

## 6. CARACTÉRISTIQUES TECHNIQUES

Cisailles sur accu	Unité	Valeur (réf. 9853) avec lame à gazon	Valeur (réf. 9854) avec lame pour arbustes	Valeur (réf. 9856) avec lame à gazon	Valeur (réf. 9857) avec lame pour arbustes
Courses	1/min	1000	1000	1000	1000
Largeur de la lame à gazon	mm	80	–	80	–
Longueur de la lame pour arbustes	cm	–	12,5	–	12,5
Poids	g	575	640	635	700
Niveau de pression acoustique $L_{PA}^{(1)}$	dB (A)	< 70	< 70	< 70	< 70
Incertitude $K_{PA}$		3	3	3	3
Niveau de puissance acoustique $L_{WA}^{(2)}$ mesuré/garanti	dB (A)		79 / 80		79 / 80
Incertitude $K_{WA}$			0,35		0,4
Vibration main-bras $a_{vhv}^{(1)}$	m/s <sup>2</sup>	< 2,5	< 2,5	< 2,5	< 2,5
Incertitude $k_a$		1,5	1,5	1,5	1,5

Procédé de mesure conformément à : <sup>1)</sup> EN 60745-2-15; <sup>2)</sup> RL 2000/14/EC



**CONSEIL :** la valeur d'émissions de vibrations mentionnée a été mesurée conformément à un procédé de contrôle normalisé et peut être utilisée pour comparer des outils électriques les uns avec les autres. Cette

valeur peut également être utilisée pour l'évaluation provisoire de l'exposition. La valeur d'émissions de vibrations peut varier pendant l'utilisation effective de l'outil électrique.

Kit réf. 9854 composé de réf. 9853 ClassicCut Li avec lame pour arbustes réf. 9863.

Kit réf. 9857 composé de réf. 9856 ComfortCut Li avec lame à gazon réf. 9862 et lame pour arbustes réf. 9863.

Batterie	Unité	Valeur (ClassicCut Li)	Valeur (ComfortCut Li)
Tension de la batterie	V (DC)	3,6	3,6
Capacité de la batterie	Ah	2,5	3,0
Temps de charge de la batterie 80 % / 100 % (env.)	min.	130 / 175	150 / 200
Bloc d'alimentation de chargement de la batterie	Unité	Valeur	
Tension du secteur	V (AC)	100 – 240	
Fréquence du secteur	Hz	50 – 60	
Puissance nominale	W	10	
Tension de sortie	V (DC)	5	
Courant de sortie max.	mA	1000	

## 7. ACCESSOIRES

<b>Lames pour gazon et buis GARDENA</b>	Pour couper le gazon et le buis.	<b>réf. 9862</b>	<b>Kit de roues GARDENA</b>	Pour aider lors de la coupe.	<b>réf. 9861</b>
<b>Lames pour arbustes GARDENA</b>	Pour couper les arbustes.	<b>réf. 9863</b>	<b>Spray d'entretien des outils électriques</b>	Prolonge la durée de vie de la lame et préserve la durée d'autonomie de la batterie.	<b>réf. 2366</b>
<b>Manche télescopique GARDENA</b>	Pour couper debout.	<b>réf. 9859</b>			



## 8. SERVICE/GARANTIE

### **Service :**

Veuillez contacter l'adresse au verso.

### **Déclaration de garantie :**

Dans le cas d'une réclamation au titre de la garantie, aucun frais ne vous sera prélevé pour les services fournis.

GARDENA Manufacturing GmbH accorde sur tous les nouveaux produits d'origine GARDENA une garantie de 2 ans à compter du premier achat chez le revendeur lorsque les produits sont exclusivement utilisés à des fins privées. Cette garantie de fabricant ne s'applique pas aux produits acquis sur un marché secondaire. La garantie couvre tous les vices essentiels du produit, manifestement imputables à des défauts de matériel ou de fabrication. Cette garantie prend en charge la fourniture d'un produit de rechange entièrement opérationnel ou la réparation du produit défectueux qui nous est parvenu gratuitement; nous nous réservons le droit de choisir entre ces options. Ce service est soumis aux dispositions suivantes :

- Le produit a été utilisé dans le cadre de son usage prévu selon les recommandations du manuel d'utilisation.
- Ni l'acheteur ni un tiers n'a tenté d'ouvrir ou de réparer le produit.
- Seules des pièces de rechange et d'usure GARDENA d'origine ont été utilisées pour le fonctionnement.

- Présentation de la preuve d'achat.

L'usure normale de pièces et de composants (par exemple sur des lames, pièces de fixation des lames, turbines, éclairages, courroies trapézoïdales et crantées, turbines, filtres à air, bougies d'allumage), des modifications d'aspect ainsi que les pièces d'usure et de consommation sont exclues de la garantie.

Cette garantie de fabricant est limitée à la livraison de remplacement et à la réparation en vertu des conditions mentionnées ci-avant. D'autres prétentions à notre encontre en tant que fabricant, par exemple dommages et intérêts, ne sont pas fondées par la garantie de fabricant. Cette garantie de fabricant ne concerne bien évidemment **pas** les réclamations de garantie existantes, légales et contractuelles envers le revendeur/l'acheteur.

La garantie de fabricant est soumise au droit de la République Fédérale d'Allemagne.

En cas de recours à la garantie, veuillez renvoyer le produit défectueux accompagné d'une copie de la preuve d'achat et d'une description du défaut, suffisamment affranchi, à l'adresse de service GARDENA.

### **Pièces d'usure :**

Les lames de cisaille sont des pièces d'usure et ne sont donc pas couvertes par la garantie.

# Tijera cortacésped y recortasetos con Accu GARDENA ClassicCut Li / ComfortCut Li

1. SEGURIDAD	35
2. MANEJO	42
3. MANTENIMIENTO	44
4. ALMACENAMIENTO	45
5. SOLUCIÓN DE AVERÍAS	45
6. DATOS TÉCNICOS	46
7. ACCESORIOS	48
8. SERVICIO/GARANTÍA	48

## Traducción de las instrucciones de empleo originales.



Este producto no se ha concebido para que sea usado por personas (inclusive niños) con facultades físicas, sensoriales o mentales restringidas o sin experiencia y/o conocimientos, a no ser que sean vigiladas por una persona responsable de su seguridad o que reciban de esta persona instrucciones sobre el modo de usar el producto. Vigile a los niños y asegúrese de que no pueden jugar con el producto. El uso de este producto está indicado para jóvenes mayores de 16 años.

### **Uso adecuado con cuchillas para césped:**

La **Tijera cortacésped con Accu GARDENA** está concebida para cortar los bordes del césped y podar con precisión arbustos, especialmente de boj, en jardines particulares y de aficionados.

### **Uso adecuado con cuchillas para setos:**

La **Tijera recortasetos con Accu GARDENA** está concebida para cortar setos aislados, arbustos y plantas trepadoras en jardines particulares y de aficionados.

El producto no ha sido concebido para un funcionamiento continuo.



**¡PELIGRO! ¡Lesiones corporales!**

**No utilice el producto para trocear material o compost.**

**Con la cuchilla para setos ref. 9863, la tijera con Accu no resulta adecuada para cortar el césped ni los bordes del césped.**

# 1. SEGURIDAD

## ¡IMPORTANTE!

Lea las instrucciones de uso y guárdelas a mano para su consulta posterior.

### Explicación de los símbolos en el producto:



Lea las instrucciones de empleo.



Atención! El mecanismo de corte sigue funcionando con el motor desconectado.



Mantener alejadas a terceras personas.



Póngase unas gafas protectoras.



Peligro – Mantenga las manos fuera del alcance de la cuchilla.



No lo exponga a la lluvia.



Para el cargador:  
Desenchúfelo de inmediato de la red si el cable está dañado o cortado.

### Avisos generales de seguridad

Avisos generales de seguridad para tijeras recortasetos



¡AVISO!

Lea todos los avisos de seguridad e instrucciones.

*La falta de observación de los avisos e instrucciones de seguridad podría resultar en descarga eléctrica, incendio y/o heridas graves.*

**Guarde todos los avisos e instrucciones como referencia futura.** El término "Herramienta eléctrica" usado en los avisos de seguridad se refiere a herramientas eléctricas enchufadas a la red (con cable) o a herramientas eléctricas de funcionamiento con Akku (sin cable).

#### 1) Seguridad en la zona de trabajo

- Mantenga la zona de trabajo limpia y bien iluminada.** En zonas desordenadas y oscuras hay más riesgo de accidentes.
- No haga funcionar la herramienta eléctrica en atmósferas explosivas, en presencia de líquidos, gases o polvos inflamables.**

*Las herramientas eléctricas generan chispas que podrían inflamar el polvo o los vapores.*

**c) Mantenga a los niños y a los curiosos alejados mientras utiliza la herramienta eléctrica.**

*Las distracciones podrían hacer que perdiera el control de la herramienta.*

**2) Seguridad eléctrica**

**a) El enchufe de conexión de la herramienta eléctrica debe encajar en la toma de corriente. No modifique nunca el enchufe de ningún modo. No utilice ningún enchufe adaptador con herramientas eléctricas puestas a tierra.**

*Los enchufes sin modificar y las tomas de corriente adecuadas reducen el riesgo de descarga eléctrica.*

**b) Evite el contacto del cuerpo con las superficies puestas a tierra, tales como tuberías, radiadores, cocinas y refrigeradores. Corre mayor riesgo de descarga eléctrica si su cuerpo está puesto a tierra.**

**c) No exponga las herramientas eléctricas a la lluvia o a condiciones húmedas. El agua que se introduce en la herramienta eléctrica hace que aumente el riesgo de descarga eléctrica.**

**d) No utilice el cable para otros usos que no sean los previstos, como para transportar o colgar la herramienta eléctrica; tampoco tire del cable para desenchufar la herramienta. Mantenga el cable alejado del calor, aceite, bordes afilados o piezas en movimiento de la herramienta. Los cables dañados o enredados aumentan el riesgo de descarga eléctrica.**

**e) Cuando trabaje con la herramienta eléctrica en el exterior, utilice un cable de prolongación adecuado para usar al aire libre.**

*El uso de un cable de prolongación para exteriores reduce el riesgo de descarga eléctrica.*

**f) Si el uso de la herramienta eléctrica en lugares húmedos es inevitable, utilice un interruptor de corriente de defecto. El uso de un interruptor de corriente de defecto reduce el riesgo de descarga eléctrica.**

**3) Seguridad personal**

**a) Manténgase alerta, tenga cuidado con lo que hace y use el sentido común cuando opere una herramienta eléctrica. No utilice una herramienta eléctrica si está cansado(a) o se encuentra bajo los efectos de drogas, alcohol o medicamentos.**

*Un momento de distracción mientras opera la herramienta eléctrica podría causar lesiones graves.*

**b) Utilice el equipo de protección personal, lleve siempre unas gafas protectoras. El uso de un equipo de protección personal adecuado al tipo y aplicación de la herramienta eléctrica, como mascarilla contra el polvo, calzado antideslizante de seguridad, casco duro o protección de los oídos, reduce el riesgo de lesiones.**

**c) Evite un arranque involuntario. Cerciórese de que la herramienta eléctrica está desactivada antes de conectarla a la red eléctrica y/o al Accu, y antes de cogerla o transportarla. Si se transporta la herramienta eléctrica con el dedo puesto en el interruptor o se conecta la herramienta eléctrica estando activada, pueden producirse accidentes.**

- d) Quite cualquier llave de ajuste o llave de tuercas antes de encender la herramienta eléctrica.**

*Una llave de ajuste o llave de tuercas acoplada a una pieza rotativa de la herramienta eléctrica podría provocar lesiones.*

- e) Evite toda postura del cuerpo poco natural. Mantenga los pies sobre una base sólida y el equilibrio en todo momento. Así podrá controlar mejor la herramienta eléctrica en situaciones inesperadas.**

- f) Utilice ropa adecuada. No lleve ropa suelta o joyas. Mantenga el pelo, la ropa y los guantes alejados de las piezas en movimiento.**

*La ropa suelta, las joyas o el pelo largo suelto podrían engancharse en las piezas en movimiento.*

- g) Si se pueden montar dispositivos de aspiración y recogida de polvo, asegúrese de que están bien conectados y de que se usan correctamente.**

*El uso de dispositivos para la aspiración de polvo puede reducir los peligros relacionados con el polvo.*

#### **4) Uso y cuidado de la herramienta eléctrica**

- a) No fuerce la herramienta. Utilice la herramienta eléctrica para su aplicación prevista.**

*La herramienta eléctrica correcta hará el trabajo mejor, con más seguridad y con el rendimiento para la que ha sido diseñada.*

- b) No utilice la herramienta eléctrica si el interruptor no funciona bien.**

*Cualquier herramienta eléctrica que no se pueda controlar con el interruptor es peligrosa y debe repararse.*

- c) Desconecte el enchufe de la toma de corriente y/o retire el Accu antes de hacer ajustes, cambiar los accesorios o almacenar la herramienta.**

*Tales medidas de prevención reducen el riesgo de arranque accidental de la herramienta eléctrica.*

- d) Almacene las herramientas eléctricas inactivas fuera del alcance de los niños. No permita operar herramientas a las personas que no estén familiarizadas con las mismas o con estas instrucciones.**

*Las herramientas eléctricas son peligrosas en manos de usuarios sin experiencia.*

- e) Trate con sumo cuidado las herramientas eléctricas. Compruebe que las piezas móviles funcionan correctamente y sin agarrotarse, y que no haya piezas rotas o con desperfectos que puedan afectar negativamente el funcionamiento correcto de la herramienta eléctrica. Si hay piezas dañadas, hágalas reparar antes de usar la herramienta.**

*Muchos accidentes son causados por herramientas eléctricas en mal estado.*

- f) Mantenga las herramientas de corte afiladas y limpias. Las herramientas de corte mantenidas correctamente con los bordes de corte afilados tienen menos probabilidad de agarrotarse y son más fáciles de controlar.**

- g) Utilice la herramienta eléctrica, los accesorios, las brocas de la herramienta, etc. de acuerdo con estas instrucciones. Tenga en cuenta las condiciones de trabajo y la tarea que va a realizar.**

*El uso de herramientas eléctricas para operaciones diferentes a las previstas podría provocar situaciones peligrosas.*

## 5) Uso y cuidado de la herramienta con Accu

### a) Cargue el Accu únicamente en cargadores

*recomendados por el fabricante. Existe peligro de incendio en caso de utilizar el cargador con Accus distintos a los especificados.*

### b) Utilice solo los Accus previstos para este fin en las herramientas eléctricas.

*El empleo de otros Accus puede provocar lesiones y peligro de incendio.*

### c) Mientras no se utilice el Accu, se deberá mantener alejado de sujetapapeles, monedas, llaves, clavos, tornillos u otros objetos metálicos pequeños que puedan provocar puenteado.

*Un cortocircuito entre los contactos de los Accus puede causar quemaduras o provocar un incendio.*

### d) Se puede salir el líquido del Accu en caso de no utilizarlo como es debido. Evite todo contacto con el mismo. En caso de entrar en contacto casualmente con el líquido, lávese con abundante agua. Si el líquido entra en contacto con los ojos, se deberá consultar además a un médico.

*El líquido derramado procedente del Accu puede causar irritaciones de la piel o quemaduras.*

## 6) Servicio

**Encargue la reparación de su herramienta eléctrica únicamente a personal cualificado que utilice exclusivamente piezas de recambio originales.**

*Solamente de esta manera es posible garantizar el funcionamiento seguro de la herramienta eléctrica.*

## Avisos de seguridad para el recortasetos:

- Mantenga todas las partes del cuerpo alejadas de la cuchilla. No intente quitar el material cortado ni sujete el material que tiene que cortar cuando la cuchilla está en movimiento. Asegúrese de haber desconectado primero la herramienta antes de eliminar el material atascado.

*Un momento de distracción mientras opera el recortasetos puede causar lesiones graves.*

- Coja el recortasetos por el asa de sujeción con la cuchilla parada. Cuando transporte o almacene el recortasetos, ponga siempre la cubierta protectora.

*El manejo correcto de la herramienta reduce la posibilidad de que la cuchilla cause heridas personales.*

- Sujete la herramienta eléctrica únicamente por las superficies de las asas aisladas, porque la cuchilla puede entrar en contacto con cables ocultos o con el propio cable a la red.

*El contacto de la cuchilla con un cable conductor de tensión puede poner componentes metálicos del producto bajo tensión y provocar una descarga eléctrica.*

- Mantenga el cable alejado del área de corte.

*Mientras se trabaja con la herramienta, el cable puede estar oculto en los matorrales y cortarse por descuido.*

## Funcionamiento seguro de las tijeras cortacésped

### 1 Formación

- a) Lea detenidamente las instrucciones de empleo. Familiarícese con las piezas de ajuste y la utilización apropiada de la máquina.
- b) No permita nunca a personas no familiarizadas con estas instrucciones o a niños la utilización de la máquina. Las normativas locales pueden limitar la edad del usuario.
- c) Se deberá considerar que el usuario mismo es responsable de accidentes o de la seguridad frente a otras personas o su propiedad.

### 2 Preparativos antes del uso

- a) Antes de cada uso, el cable de conexión y alargador se deben inspeccionar para comprobar que no hay presentes daños o desgaste. Si el cable se dañara durante el uso, se deberá desenchufar de inmediato de la red. **NO TOCAR EL CABLE HASTA HABERLO DESENCHUFADO DE LA RED.** No utilizar la máquina si el cable está dañado o desgastado.
- b) Antes de cada uso, inspeccionar la máquina visualmente para comprobar si las unidades o cubiertas protectoras están dañadas, presentes o mal colocadas.
- c) No poner nunca en marcha la máquina si hay personas, particularmente niños, o animales dentro del área peligrosa.

### 3 Funcionamiento

- a) El cable de conexión y alargador se deberán mantener fuera del alcance de la unidad de corte.

- b) Llevar siempre gafas protectoras y calzado apropiado mientras se utiliza la máquina.
- c) Se deberá evitar la utilización de la máquina bajo condiciones climatológicas desfavorables, particularmente en caso de haber riesgo de rayos.
- d) Utilizar la máquina únicamente a la luz del día o con una buena iluminación artificial.
- e) No utilizar nunca la máquina si la cubierta o la unidad protectora están dañadas, o bien la cubierta o las unidades protectoras no están montadas.
- f) Conectar el motor únicamente si las manos y los pies están fuera del área de trabajo de la unidad de corte.
- g) Desenchufar la máquina del suministro de corriente (es decir, desenchufar la clavija de enchufe de la red eléctrica), retirar la unidad de bloqueo o la pila extraíble
  - siempre cuando la máquina se deja sin vigilancia;
  - antes de eliminar un bloqueo;
  - antes de inspeccionar, limpiar o tratar la máquina;
  - tras haber entrado en contacto con un cuerpo extraño;
  - siempre cuando la máquina empieza a vibrar de un modo no habitual.
- h) Cuidado: riesgo de lesión en manos y pies a causa de la unidad de corte.
- i) Habrá que asegurarse siempre de que las entradas de aire de ventilación están libres de cuerpos extraños.

#### 4 Conservación y almacenamiento

- Desenchufar la máquina del suministro de corriente (es decir, desenchufar la clavija de enchufe de la red eléctrica), retirar la unidad de bloqueo o la pila extraíble) antes de realizar los trabajos de mantenimiento o limpieza.
- Utilizar sólo las piezas de recambio o accesorios recomendados por el fabricante.
- La máquina se deberá comprobar y mantener a intervalos regulares de tiempo. La máquina se deberá reparar únicamente en un taller concertado.
- Si la máquina no se utiliza, se deberá guardar fuera del alcance de los niños.

#### **Avisos adicionales de seguridad**

##### **Trato seguro de los Accus**



**¡PELIGRO! ¡Peligro de incendio!**

**El producto con Accu que se desea cargar deberá encontrarse durante el proceso de carga sobre una base que no sea combustible ni conductora, y que sea resistente a altas temperaturas.**

**Tanto el cargador como también el producto con Accu deberán mantenerse alejados de objetos corrosivos, combustibles y fácilmente inflamables.**

**No cubra el cargador ni el producto con Accu durante el proceso de carga.**

Desenchufe el cargador de inmediato del suministro de corriente en caso de formarse humo o fuego.

Utilice para cargar el Accu únicamente el cargador original de GARDENA. La utilización de otros cargadores puede conllevar daños irreparables en los Accus e incluso provocar un incendio.

No cargue baterías de otras marcas. ¡Peligro de incendio y de explosión!

En caso de incendio, utilice material de extinción reductor de oxígeno para extinguir las llamas.



**¡PELIGRO! ¡Peligro de explosión!**

**Proteja los productos con Accu de la acción del calor y el fuego. No deposite los productos con Accu sobre radiadores ni los exponga a la radiación solar fuerte durante un periodo prolongado de tiempo.**

**No haga funcionar el producto en atmósferas explosivas, como p.ej. en presencia de líquidos, gases o polvos inflamables. Durante la utilización de productos con Accu se pueden generar chispas que podrían inflamar el polvo o los vapores.**

Cargue y utilice el producto con Accu únicamente a una temperatura ambiental de entre 0 °C y 40 °C. Deje enfriar el Accu después de utilizarlo durante un periodo prolongado de tiempo.

El cable de carga debe controlarse regularmente para ver si presenta signos de desperfectos y envejecimiento (fragilidad). Utilice el cable únicamente si se encuentra en perfecto estado.



No guarde ni transporte en ningún caso el producto con Accu a temperaturas superiores a 45 °C ni lo exponga a la radiación solar directa. A ser posible se deberá guardar el producto con Accu a una temperatura inferior a 25 °C para reducir el riesgo de descarga espontánea.

No exponga el producto con Accu a la lluvia ni a condiciones húmedas. El agua que se introduce en el producto con Accu hace que aumente el riesgo de descarga eléctrica.

Si no se fuera a utilizar el Accu por un periodo prolongado de tiempo (p. ej., durante el invierno), cárguelo por completo para evitar una descarga total del mismo.

No guarde el producto con Accu en un entorno en el que pueda producirse una descarga electrostática.

### Seguridad eléctrica



**¡PELIGRO! ¡Parada cardiaca!**

**Este producto genera un campo electromagnético durante el funcionamiento. Este campo puede influir, bajo determinadas circunstancias, en el modo de funcionamiento de implantes médicos activos o pasivos. Con el fin de evitar el riesgo de situaciones que pudieran conllevar lesiones graves o incluso mortales, las personas que lleven un implante médico deberán consultar al médico y fabricante del implante antes de usar este producto.**

Inspeccione detenidamente el área donde se vaya a utilizar el producto y retire todos los cables y demás objetos extraños.

Antes de usar el producto y también en caso de haber recibido un golpe fuerte, compruebe si hay señal de desgaste o de daños. Si fuera necesario, tome las medidas oportunas para su reparación.

Si por motivo de un defecto no se puede desconectar el producto, se deberá colocar el producto sobre una base firme y esperar bajo vigilancia a que se descargue el Accu. El producto averiado se deberá mandar al servicio técnico de GARDENA.

Nunca utilice un producto incompleto o con modificaciones no autorizadas.

Desconecte el producto si empezara a vibrar de modo anómalo. Las vibraciones fuertes pueden causar lesiones.

No utilice el producto cerca del agua.

No trabaje cerca de piscinas ni estanques.

### Seguridad personal



**¡PELIGRO! ¡Peligro de asfixia!**

**Las piezas pequeñas se pueden ingerir con facilidad. Los niños pequeños corren el riesgo de asfixiarse con la bolsa. Por este motivo, mantenga a los niños pequeños alejados del lugar de montaje.**

Tiene que saber cómo desconectar de inmediato este producto en todo momento en caso de emergencia.

Evite el contacto con el aceite de la cuchilla, particularmente en el caso de que se reaccione alérgicamente al mismo.

Trabaje sólo a la luz del día o con buena visibilidad.  
 Compruebe siempre el producto antes de usarlo.  
 Controle siempre visualmente el producto antes de usarlo.  
 Compruebe si las entradas de aire están libres.  
 Compruebe siempre la cuchilla antes de su uso.  
 Mantenga la cuchilla en buenas condiciones.  
 Si se hubiera producido un fuerte calentamiento del producto durante el funcionamiento del mismo, deje que se enfríe antes de almacenarlo.

No fuerce el producto.  
 ¡Aviso! Es posible que no se dé cuenta de que se acercan personas debido al ruido producido por el producto y por llevar protección de los oídos.  
 Utilice siempre ropa adecuada, guantes protectores y calzado apropiado.  
 Asegúrese de que lleva calzado antideslizante mientras trabaja con el producto.  
 No trabaje sobre suelos resbaladizos.

## 2. MANEJO



**¡PELIGRO! ¡Lesiones corporales!**  
**Si el producto se pone en marcha accidentalmente, se corre el peligro de cortarse.**

→ **Espere hasta que la cuchilla se haya detenido y ponga la cubierta protectora sobre la cuchilla antes de ajustar o transportar el producto.**

### Cargar el Accu [fig. 01]:



**¡ATENCIÓN!**  
**La sobretensión daña el Accu y el bloque de alimentación para la carga.**

→ **Asegúrese de que utiliza la tensión de red correcta.**

Antes de la primera puesta en marcha, hay que recargar el Accu por completo.

42

El Accu de iones de litio se puede cargar con cualquier nivel de carga y el proceso de carga se puede interrumpir en cualquier momento sin dañar el Accu (no tiene efecto memoria).

1. Conecte el bloque de alimentación para la carga (C) a una toma de red.
2. Conecte el cable de carga del Accu (E) al conector de carga (F).

**Cuando el indicador de carga de la batería (L1)/L2/L3 parpadea en verde, se está cargando la batería.**

**Cuando el indicador de carga de la batería (L1) + (L2) + (L3) permanece encendido en verde, significa que la batería está completamente cargada.** (Duración de carga, consulte el capítulo 6. DATOS TÉCNICOS).

3. Compruebe a intervalos regulares de tiempo el estado de carga mientras está cargando.

- En cuanto el Accu esté completamente cargado, desenchufe el cable de carga del Accu (E) del conector de carga (F).
- Desenchufe el bloque de alimentación para la carga (C) de la toma de corriente.

**Indicador de carga del Accu [fig. O2]:**

**Indicador de carga del Accu durante el proceso de carga:**

un 100 % de la carga	(1), (2) y (3) se encienden (durante 60 seg.)
un 66 a un 99 % de la carga	(1) y (2) se encienden, (3) parpadea
un 33 a un 65 % de la carga	(1) se enciende, (2) parpadea
un 0 a un 32 % de la carga	(1) parpadea

**Indicador de carga del Accu durante el funcionamiento (durante 5 seg.):**

un 66 a un 99 % de la carga	(1), (2) y (3) se encienden
un 33 a un 65 % de la carga	(1) y (2) se encienden
un 11 a un 32 % de la carga	(1) se enciende
un 0 a un 10 % de la carga	(1) parpadea

**Ajustar la empuñadura (solo para ComfortCut Li) [fig. O3]:**

La empuñadura puede ajustarse en 5 posiciones, adaptándose así a las necesidades y preferencias individuales.

→ Apriete simultáneamente a ambos lados los botones de ajuste de la articulación (1) y ajuste la empuñadura (2) en el ángulo deseado.


**Cambiar la cuchilla [fig. O4]:**

Solo se pueden utilizar las siguientes cuchillas GARDENA:

- Cuchilla para césped y boj GARDENA, ref. 9862
- Cuchilla para setos GARDENA, ref. 9863

- Apriete simultáneamente a ambos lados los botones de bloqueo (3) y extraiga la cuchilla (4).
- Coloque la otra cuchilla (4).

**Poner en marcha la tijera con Accu:**



**¡PELIGRO! ¡Lesiones corporales!**  
**Riesgo de lesión si el producto no se detiene al soltar la palanca de arranque**  
 → **No puentee nunca los dispositivos de seguridad ni los interruptores. Por ejemplo, no fije la palanca de arranque al asa de fijación.**

**Puesta en marcha:**

**El producto está equipado con un dispositivo de seguridad (palanca de arranque con bloqueo de seguridad) que evita una conexión accidental del producto.**

**Sin mango telescópico [fig. O5]:**

- Retire la cubierta protectora de la cuchilla.
- Sujete con la mano la empuñadura (2), empuje el bloqueo de seguridad (5) hacia delante y tire de la palanca de arranque (6).  
*La tijera con Accu se pone en marcha.*
- A continuación, suelte el bloqueo de seguridad (5).

**Con mango telescópico [fig. O6]:**

**Si está montado el mango telescópico, el bloqueo de seguridad (5) y la palanca de arranque (6) de la tijera con Accu no están operativos.**

1. Monte el mango telescópico.
2. Retire la cubierta protectora de la cuchilla.
3. Sujete con la mano la empuñadura (20) del mango telescópico, empuje el bloqueo de seguridad (5) del mango telescópico hacia delante y tire de la palanca de arranque (6) del mango telescópico.  
*El recortasetos se pone en marcha.*

4. A continuación, suelte el bloqueo de seguridad (5).

**Parada:**

1. Suelte la palanca de arranque (6)/(6h).  
*La tijera con Accu se detiene.*
2. Espere hasta que la cuchilla se haya detenido y ponga la cubierta protectora sobre la cuchilla.

## 3. MANTENIMIENTO



**¡PELIGRO! ¡Lesiones corporales!**

**Si el producto se pone en marcha accidentalmente, se corre el peligro de cortarse.**

- Espere hasta que la cuchilla se haya detenido y ponga la cubierta protectora sobre la cuchilla antes de realizar el mantenimiento del producto.

**Limpiar la tijera con Accu [fig. M1]:**

**¡PELIGRO! ¡Lesiones corporales!**

**Peligro de lesión y riesgo de dañar el producto.**

1. No limpie el producto con agua ni tampoco con un chorro de agua (particularmente no limpie utilizando alta presión).

**2. No limpie con productos químicos, inclusive bencina ni disolventes. Algunos pueden destruir piezas de plástico importantes.**

1. Apriete simultáneamente los dos botones de bloqueo (3) y extraiga la cuchilla (4).
2. Limpie el producto con un paño húmedo.
3. Rocíe la cuchilla con el **spray de mantenimiento GARDENA ref. 2366**.  
*Evite el contacto del aceite con las piezas de plástico.*
4. Vuelva a colocar la cuchilla (4).

**Limpeza del bloque de alimentación para la carga:**

Asegúrese de que la superficie y los contactos del conector de carga y del bloque de alimentación para la carga

siempre estén limpios y secos antes de conectar el bloque de alimentación para la carga.

**No utilice agua corriente.**

Limpie los contactos y las piezas de plástico con un paño suave y seco.

## 4. ALMACENAMIENTO

**Puesta fuera de servicio:**

**El producto se deberá guardar fuera del alcance de los niños.**

1. Cargue el Accu.
2. Limpie la tijera con Accu y el bloque de alimentación para la carga (consulte el capítulo 3. MANTENIMIENTO).
3. Guarde la tijera con Accu y el bloque de alimentación para la carga en un lugar seco, cerrado y a prueba de heladas.

**Cómo eliminar el producto usado:**

(según normativa Directiva 2012/19/UE)



El producto no deberá eliminarse con la basura doméstica normal. Se deberá eliminar según las normativas medioambientales vigentes locales.



El Accu GARDENA contiene células de iones de litio que no se pueden juntar con las basuras domésticas normales al final de su vida útil.

**¡IMPORTANTE!**

Elimine el producto a través o por medio del puesto recolector de reciclaje del municipio respectivo.

## 5. SOLUCIÓN DE AVERÍAS



**¡PELIGRO! ¡Lesiones corporales!**

Si el producto se pone en marcha accidentalmente, se corre el peligro de cortarse.

→ Espere hasta que la cuchilla se haya detenido y ponga la cubierta protectora sobre la cuchilla antes de solucionar las averías del producto.

Problema	Posible causa	Solución
El corte es irregular	La cuchilla está sin filo o dañada.	→ Sustituya la cuchilla.
La duración de funcionamiento es demasiado corta	La cuchilla está sucia.	→ Limpie la cuchilla.
La tijera con Accu no se pone en marcha. ⓘ parpadea en verde [ fig. 02 ]	La batería está descargada.	→ Cargue el Accu.
La tijera con Accu no se pone en marcha. El LED de error ⓘ parpadea en rojo [ fig. 02 ]	La cuchilla está bloqueada (sobrecorriente).	→ Retire el obstáculo.
No se puede detener la tijera con Accu	La palanca de arranque se ha agarrotado.	→ Ver 1. SEGURIDAD.
El LED de error ⓘ se enciende	Error del Accu/avería del Accu.	→ Póngase en contacto con el Servicio Técnico de GARDENA.



**NOTA:** En caso de avería, rogamos dirigirse a su Centro de Servicio Técnico de GARDENA. Únicamente los Centros de Servicio Técnico de GARDENA, así como los distribuidores autorizados por GARDENA, pueden realizar reparaciones en sus productos.

## 6. DATOS TÉCNICOS

Tijeras cortacésped con Accu	Unidad	Valor	Valor	Valor	Valor	Tijeras cortacésped con Accu	Unidad	Valor	Valor	Valor	Valor
		(ref. 9853) con cuchilla para césped	(ref. 9854) con cuchilla para setos	(ref. 9856) con cuchilla para césped	(ref. 9857) con cuchilla para setos			(ref. 9853) con cuchilla para césped	(ref. 9854) con cuchilla para setos	(ref. 9856) con cuchilla para césped	(ref. 9857) con cuchilla para setos
Carreras	1/min	1000	1000	1000	1000	Longitud de la cuchilla para setos	cm	-	12,5	-	12,5
Anchura de la cuchilla para césped	mm	80	-	80	-	Peso	g	575	640	635	700

Tijeras cortacésped con Accu	Unidad	Valor (ref. 9853) con cuchilla para césped	Valor (ref. 9854) con cuchilla para setos	Valor (ref. 9856) con cuchilla para césped	Valor (ref. 9857) con cuchilla para setos
Nivel de presión acústica $L_{pA}$ <sup>1)</sup>	dB (A)	< 70	< 70	< 70	< 70
Inseguridad $k_{pA}$		3	3	3	3
Nivel de potencia acústica $L_{WA}$ <sup>2)</sup> medido/garantizado	dB (A)		79 / 80		79 / 80
Inseguridad $k_{WA}$			0,35		0,4
Vibración brazo-mano $a_{vhw}$ <sup>1)</sup>	m/s <sup>2</sup>	< 2,5	< 2,5	< 2,5	< 2,5
Inseguridad $k_a$		1,5	1,5	1,5	1,5

Método de medición: <sup>1)</sup> EN 60745-2-15; <sup>2)</sup> RL 2000/14/EC



**NOTA:** el valor indicado de emisión de vibraciones se ha medido según un procedimiento de verificación estandarizado y se puede utilizar para comparar una herramienta eléctrica con otra. Este valor puede utilizarse para realizar una evaluación preliminar de la exposición. El valor de emisión de vibraciones puede variar durante el uso efectivo de la herramienta eléctrica.

Set ref. 9854 compuesto por ref. 9853 ClassicCut Li con cuchilla para setos ref. 9863.

Set ref. 9857 compuesto por ref. 9856 ComfortCut Li con cuchilla para césped ref. 9862 y cuchilla para setos ref. 9863.

Accu	Unidad	Valor (ClassicCut Li)	Valor (ComfortCut Li)
Tensión del Accu	V (DC)	3,6	3,6
Capacidad del Accu	Ah	2,5	3,0
Duración de carga del Accu 80%/100% (aprox.)	min.	130 / 175	150 / 200
Bloque de alimentación para la carga del Accu	Unidad	Valor	
Tensión a la red	V (AC)	100 – 240	
Frecuencia de la red	Hz	50 – 60	
Potencia nominal	W	10	
Tensión de salida	V (DC)	5	
Corriente de salida máx.	mA	1000	

## 7. ACCESORIOS

<b>Cuchilla para césped y boj GARDENA</b>	Para cortar el césped y setos de boj.	<b>ref. 9862</b>	<b>Juego de ruedas GARDENA</b>	Aumentan el confort al realizar trabajos de corte.	<b>ref. 9861</b>
<b>Cuchilla para setos GARDENA</b>	Para cortar arbustos.	<b>ref. 9863</b>	<b>Spray de mantenimiento GARDENA</b>	Prolonga la vida útil de la cuchilla y conserva la duración de la batería.	<b>ref. 2366</b>
<b>Mango telescópico GARDENA</b>	Para poder cortar el césped en posición erguida.	<b>ref. 9859</b>			

## 8. SERVICIO/GARANTÍA

### Servicio:

Póngase en contacto por favor con la dirección postal indicada en el dorso.

### Declaración de garantía:

En el caso de una reclamación de garantía, no se le aplicará ningún cargo por los servicios prestados.

GARDENA Manufacturing GmbH concede para todos los productos nuevos originales GARDENA una garantía de 2 años a partir de la fecha de compra al distribuidor, siempre y cuando los productos hayan sido utilizados exclusivamente para usos particulares. Esta garantía de fábrica no está disponible para productos adquiridos en el mercado paralelo. Esta garantía cubre todos los defectos esenciales del producto que hayan sido originados de manera demost-

48

trable por defectos de materiales o de fabricación. Esta garantía se cumple suministrando un producto de sustitución totalmente funcional o reparando el producto defectuoso que nos envíe de forma gratuita, nos reservamos el derecho a elegir entre estas dos opciones. Este servicio está sujeto a las siguientes disposiciones:

- El producto se ha utilizado para el propósito previsto, según las recomendaciones que aparecen en las instrucciones de operación.
- Ni el cliente ni terceros han intentado abrir o reparar el producto.
- Para el funcionamiento se han utilizado exclusivamente recambios y piezas de desgaste originales de GARDENA.
- Se presenta el tique de compra.



El deterioro gradual por efecto del uso de las piezas y componentes (por ejemplo, cuchillas, piezas de sujeción de las cuchillas, turbinas, bombillas, correas trapezoidales y dentadas, rodetes, filtros de aire, bujías), los cambios de aspecto y las piezas de desgaste y consumo frecuente quedan excluidas de la garantía.

Esta garantía de fábrica se limita al suministro de recambios y a la reparación conforme a las condiciones mencionadas anteriormente. La garantía de fábrica no puede utilizarse como base para reclamar otros derechos al fabricante, como una indemnización por daños y perjuicios. Esta garantía de fábrica **no** afecta los derechos de garantía legal y contractual existentes frente al distribuidor/vendedor.

La garantía de fábrica está sujeta a la legislación de la República Federal de Alemania.

Si su caso queda cubierto por la garantía, envíe en un paquete debidamente franqueado el producto defectuoso, junto con una copia del tique de compra y una descripción del defecto, a la dirección del servicio de atención al cliente de GARDENA.

***Piezas de desgaste:***

Las cuchillas de la tijera son piezas de desgaste y, por lo tanto, están excluidas de la garantía.

# GARDENA 电池式草坪灌木剪

## ClassicCut Li / ComfortCut Li

1. 安全 .....	51
2. 使用 .....	57
3. 保养 .....	59
4. 存放 .....	60
5. 故障排除 .....	60
6. 技术参数 .....	61
7. 配件 .....	63
8. 务/保修 .....	63

### 原始操作说明翻译。



本产品不适合身体、感官或精神等方面有缺陷的或是缺乏经验和 / 或知识的人 (包括儿童) 使用, 除非有监督人员在旁确保其安全或是事前已接受了监督人员关于如何使用本产品的指导。应照看好儿童, 以确保他们不用本产品玩耍。我们建议: 年满 16 岁的人员方可使用本产品。

### 剪草刀的预期用途:

**GARDENA 电池式草坪剪**专用于在私家花园和业余庭园中修剪草坪边缘以及对灌木 (尤其是四季青) 进行精细剪形。

### 灌木刀的预期用途:

**GARDENA 电池式灌木剪**专用于在私家花园或业余庭园中修剪四季青、灌木和攀缘植物。

本产品不适用于持续运行。



**危险! 人身伤害!**

请勿使用本产品来粉碎物料或堆肥。

使用 9863 号灌木刀时, 本款电池剪不适用于修剪草坪 / 草坪边缘。

# 1. 安全

## 重要!

请仔细阅读使用说明书，并保存好以供随时查阅。



不得淋雨



针对充电器：  
如电缆受损或割断，请立即从电源上拔下插头。

产品上的图标：



请阅读操作说明。



注意！  
电机关闭之后，刀具仍会空转片刻。



请远离他人。



请佩戴护目镜。



危险 - 保持手掌远离刀片。

## 一般安全注意事项

### 灌木剪一般安全注意事项



警告！

请阅读所有安全注意事项及说明。  
不遵守安全注意事项及说明可导致触电、火灾和 / 或重伤。  
请保管好所有安全注意事项和说明资料以备将来使用。  
在本安全注意事项中使用的“电动工具”一词既指电源驱动的电动工具（带电源线）也包括电池驱动的电动工具（不带电源线）。

### 1) 作业安全

- a) 请保持作业区域整洁且照明充足。  
作业区域杂乱或无照明可导致事故发生。

- b) 请勿在有易燃性液体、气体或粉尘的易爆炸环境中使用本款电动工具。  
电动工具会产生火花，可点燃粉尘和烟雾。
- c) 使用本电动工具时请确保附近没有儿童或其他人员。  
如果分心则可能无法良好控制修剪机。

## 2) 电气安全

- a) 电动工具的连接插头必须与插座匹配。  
不得以任何方式改动插头。不要将适配器插头与做了接地保护的电动工具一起使用。使用未改动的插头以及合适的插座可以减少触电危险。
- b) 避免肢体接触到管道、加热器、炉子和冰箱等接地表面。  
肢体如接地将增加触电风险。
- c) 请保护电动工具远离雨水和潮湿。  
电动工具进水将增加触电风险。
- d) 请勿滥用电缆来搬运、悬挂电动工具或用来从插座上拔下插头。请保持电缆远离热源、油、锐利边缘和转动的机器部件。  
损坏或缠绕的电缆可增加触电风险。
- e) 如在户外使用电动工具，须使用适用于户外的延长电缆。使用适用于户外的延长电缆可以减少触电风险。
- f) 如果不得不在潮湿的环境中操作电动工具，请使用漏电断路器。使用漏电断路器可减少触电风险。

## 3) 人员安全

- a) 作业时请谨慎小心、注意自己的动作，要理智操作电动工具。如果处于疲劳状态或受毒品、酒精及药物的影响，请勿使用电动工具。  
使用本电动工具过程中的片刻不当心就可导致重伤。
- b) 请使用个人防护装备并始终佩戴护目镜。  
根据电动工具的类型和使用情况相应佩戴个人防护用品，如防尘口罩、防滑安全鞋、安全帽或听力保护器等，可减少受伤风险。
- c) 请避免机器意外启动。在连接到电源和 / 或电池、拿起或搬运本款电动工具之前，请确保本机处于关闭状态。在搬运电动工具时如手指放在开关上或者在电动工具开启状态下接通电源，都有可能導致事故发生。
- d) 在开动电动工具之前，请取下扳手等调节工具。  
设备旋转部件上如有工具或扳手可造成伤害。
- e) 避免不正常的身体姿势。要稳妥站立，在斜坡上要能随时保持平衡。  
这样才能在出现突发情况时更好地控制电动工具。
- f) 请穿着合适的衣服。请勿穿松散的衣服或佩戴首饰。  
保持头发、衣物和手套远离转动的部件。松散的衣物、首饰和长发可能会被转动的部件卷入。

- g) 如果可以安装除尘和收集设备，请确保该设备已连接好并被正确使用。

使用除尘设备可以减少粉尘危害。

#### 4) 电动工具的使用和操作

- a) 不要让设备过载。请针对目的来选择专用的电动工具。

选择合适的电动工具可以让您在给定的性能范围内更好、更安全地工作。

- b) 请勿使用开关有故障的电动工具。

无法再开启或关闭的电动工具很危险，必须修理。

- c) 在调整设备、更换配件或收起设备之前，请将插头从插座拔下和 / 或取出电池。

这一预防措施可以防止电动工具意外启动。

- d) 电动工具不使用时请存放在儿童接触不到的地方。请勿让不熟悉本设备或未阅读本说明书的人员使用设备。让没有经验的人使用电动工具是很危险的。

- e) 请认真护理电动工具。检查各运动部件是否正常工作、有无卡住、各部件有无断裂或损坏而使电动工具的功能受到影响。使用设备前请先修理受损部件。

许多事故均源于电动工具保养不良。

- f) 请保持修剪工具锋利而洁净。

精心维护的修剪工具拥有锋利刀刃，不易卡死且更容易引导。

- g) 请按照本说明书使用电动工具、配件、应用工具等。同时要考虑到工作环境和工作内容。

将电动工具用于其它非指定用途可导致危险情况发生。

#### 5) 电池式工具的使用和操作

- a) 请务必使用制造商推荐的充电器来给电池充电。

如果使用仅限特定电池类型的充电器来给另一类型的电池充电，可引发火灾危险。

- b) 在本电动工具中请只使用指定电池。

使用其它电池可导致受伤或引发火灾。

- c) 电池在不使用时要远离回形针、硬币、钥匙、钉子、螺钉等其它可能导致触点桥接的小金属物件。

电池触点之间如短路可导致灼伤或起火。

- d) 电池如使用错误可能会溢出易燃液体。请勿接触该液体。如意外接触，则用清水冲洗。如该液体进入眼睛，还需就医。

溢出的电池液可刺激乃至灼伤皮肤。

#### 6) 维修服务

请只由合格的专业人员使用原装备件来维修您的电动工具。这样才能确保电动工具的安全性得以保持。

### 绿篱修剪机安全注意事项：

- 让身体所有部位均远离刀片。在刀片运行时请不要试图取出被剪下的枝叶或是抓住将要修剪的东西。要清除被卡住的枝叶时务必关闭机器。使用绿篱修剪机的过程中如有片刻不当心即可导致重伤。
- 在刀片停转之后借助手柄来搬运绿篱修剪机。运输或存放绿篱修剪机时，一定要盖好保护罩。正确操作机器可降低刀片造成伤害的风险。
- 务必握住电动工具的绝缘握持面，因为刀片可能会碰到隐藏的电源线或是自身电线。切割刀片如接触到接通的电缆，可使金属部件带电而造成触电。
- 让电缆远离修剪区域。在工作过程中，电缆可能会隐藏到灌木丛中而被不小心剪断。

### 草坪剪的安全操作

#### 1 培训

- a) 请认真阅读说明书。熟悉了解本机的各个控制部件及正确的使用方法。
- b) 切勿让不熟悉本说明书的人员或儿童使用本机。地方法规可能会限制用户的年龄。
- c) 请注意：本机的操作者或使用者须为涉及他人及他人财物的事故负责。

### 2 准备措施

- a) 使用前请检查连接线和延长线是否有损坏或老化迹象。电缆如在使用过程中损坏，必须立即断开电源。电源断开之间，请勿触碰电缆。如电缆损坏或磨损，请勿使用本机。
- b) 在使用之前，必须目视检查机器是否有损坏、防护设施或防护盖是否缺失或安装错误。
- c) 当有人特别是儿童或宠物在附近时，切勿操作本机。

### 3 操作

- a) 保持连接线和延长线远离切割装置。
- b) 在使用机器期间，必须全程佩戴护目镜并穿结实的鞋子。
- c) 避免在恶劣天气条件下使用本机，尤其是在有雷电风险的情况下。
- d) 仅在白天或是有充足人工照明的情况下修剪草坪。
- e) 切勿在机盖或保护装置损坏以及没有机盖或保护装置的情况下使用本机。
- f) 只有当手脚均不在切割装置触及范围内时，才能启动电机。
- g) 务必将机器与电源断开（即从电源上拔下插头，取下锁定装置或拆卸式电池）的情况：
  - 一旦无人看管机器时；

- 在清除堵塞物之前；
  - 在检查、清洁或处理机器之前；
  - 接触到异物时；
  - 一旦机器开始异常振动。
- h) 当心切割装置弄伤手脚。
- i) 要始终确保通风口无异物。

#### 4 维护与存放

- a) 在进行保养维护或清洁之前，必须将机器与电源断开（即从电源上拔下插头，取下锁定装置或拆卸式电池）。
- b) 只允许使用制造商推荐的备件和附件。
- c) 必须定期检查并保养本机。只在授权维修厂修理本机。
- d) 不使用时，请将本机存放在儿童触及不到的地方。

#### 附加安全注意事项：

##### 电池的安全使用



**危险！火灾危险！**

电池供电产品在充电过程中必须放置在不易燃、耐热且不导电的平面上。

有腐蚀性的、可燃和易燃的物品要远离充电器及电池供电产品。

充电过程中请勿遮盖充电器和电池供电产品。

如果冒烟或起火，请立即将充电器与电源断开。

为电池充电时务必使用原装 GARDENA 充电器。使用其它充电器可导致电池损毁甚至引发火灾。

请勿为其它电池充电。有起火和爆炸危险！

如果起火：请使用降氧灭火材料来灭火。



**危险！爆炸危险！**

防止电池供电产品接触热源和明火。请勿将电池供电产品放在暖气片上或长时间暴露在强烈的阳光下。

不要在爆炸性环境中操作，例如在易燃液体、气体或灰尘积聚附近。使用电池供电产品时可能会产生火花，从而引燃粉尘或烟雾。

只有当环境温度在 0° C 到零上 40° C 之间时方可为电池供电产品充电。长时间使用之后要让电池冷却。

定期检查充电电缆是否有损坏和老化（变脆）迹象。仅使用功能正常的电缆。

切勿在温度高于 45°C 时或是在阳光直射下存放或运输电池供电产品。电池供电产品的理想存放温度应在 25°C 以下，以降低其自放电量。

请勿将电池供电产品暴露在雨中或潮湿环境中。电池供电产品如果渗水将增加触电风险。

如果电池长时间不使用（冬季），应将电池完全充电，以防止过度放电。

请勿将电池供电产品存放在可发生静电放电的房间内。

#### 电气安全



**危险！心脏停搏！**

本产品在操作过程中产生电磁场。在某些情况下，该电磁场可能会影响主动或被动医疗植入物的功能。为了防止严重或致命的伤害，在使用本产品之前，有医疗植入物的人员应该咨询他们的医生和植入物制造商。

仔细检查即将使用本产品的区域，清除所有电缆和异物。

在使用之前和受到强烈撞击后，请检查机器是否有破裂或损坏迹象。必要时需请人进行维修。

如因故障而无法关机，可将本产品放置在坚实的表面之上并看守直至电池耗尽。将故障产品送至 GARDENA 服务部门。

切勿尝试使用不完整的产品或是未经授权而被改装的产品来作业。

如果本产品开始异常振动，请关机。剧烈振动可造成伤害。

请勿在水边使用本产品。

请勿在游泳池或花园池塘附近作业。

#### 人身安全



**危险！窒息危险！**

较小的部件容易被吞咽。塑料袋可能导致幼儿窒息危险。在安装过程中远离幼儿。

必须随时都清楚在紧急情况下如何当即关闭本产品。

避免接触刀片的油，尤其是对刀油过敏的人。

仅在白天或能见度良好的条件下作业。

每次使用前请检查机器。每次使用前请对本产品进行目视检查。检查风口是否畅通。

每次使用之前都要检查刀片。

要让刀片维持保养良好的状态。

如果本产品在运行过程中强烈升温，请将其冷却后再进行存放。



不要让本产品过载。

警告！当佩戴听力保护装置工作时，由于本产品产生的噪音，操作者可能注意不到有人靠近。

务必穿着适合的衣物、戴防护手套并穿坚实的鞋子。

确保作业时穿安全的鞋子。

请勿在湿滑表面上作业。

## 2. 使用



**危险！人身伤害！**

本产品如意外启动可导致割伤。

→ 在设置或运输本产品之前，要先等刀片停止不动并将保护罩推到刀片上。

### 电池充电 [图 O1]：



**注意！**

电压过高将损坏电池和充电器。

→ 确保使用正确的电源电压。

电池首次使用前必须完全充电。

锂离子电池可以在任何充电状态充电，充电过程可以随时中断而不损坏电池（无记忆效应）。

1. 将充电器 ③ 连接到电源插座。
2. 将电池充电电缆 ② 连接到充电插座 ①。

当电池充电指示灯 ① / ② / ③ 闪烁绿灯时，电池开始充电。

当电池充电指示灯 ① + ② + ③ 绿灯常亮时，电池已充满（充电时长请见 6. 技术参数）。

3. 在充电期间经常检查充电水平。
4. 当电池充满之后，将电池充电电缆 ② 与充电插座断开 ①。
5. 断开充电器 ③ 与插座。

### 电池充电指示灯 [图 O2]：

充电时电池充电指示灯：

充满 100 % ①、② 和 ③ 亮起（时长 60 秒）

充满 66 - 99 % ① 和 ② 亮起，③ 闪烁

充满 33 - 65 % ① 亮起，② 闪烁

充满 0 - 32 % ① 闪烁

**运行时电池充电指示灯 (5 秒) :**

电量 66 – 99 % ①、② 和 ③ 亮起

电量 33 – 65 % ① 和 ② 亮起

电量 11 – 32 % ① 亮起

电量 0 – 10 % ① 闪烁

**手柄调节 (仅限 ComfortCut Li) [图 O3] :**

手柄有 5 个调节档, 可按需调整。

→ 按下两边的调节接头 ①, 将手柄 ② 调整到所需角度。

**更换刀片 [图 O4] :**

只允许使用 GARDENA 刀片 :

– GARDENA 草坪及四季青修剪刀, 9862 号

– GARDENA 灌木刀, 9863 号

1. 同时按下两侧的锁定按钮 ③ 然后卸下刀片 ④。

2. 装上另一副刀片 ④。

**启动电池剪 :**

**危险! 人身伤害!**

如松开启动柄后本产品没有停下来, 则有受伤危险。

→ 请勿绕过安全装置和开关。比如, 不要将启动柄固定在手柄上。

**启动 :**

本产品配有安全装置 (启动柄带有开机锁), 可避本产品意外开动。

**不装伸缩柄 [图 O5] :**

1. 从刀片上取下保护罩。
2. 握住手柄 ②, 将开机锁 ⑤ 向前推并拉起启动柄 ⑥。电池剪启动。
3. 重新松开开机锁 ⑤。

**装有伸缩柄 [图 O6] :**

当装有伸缩柄时, 电池剪上的开机锁 ⑤ 和启动柄 ⑥ 不起作用。

1. 装上伸缩柄。
2. 从刀片上取下保护罩。
3. 握住伸缩柄上的手柄 ②<sup>h</sup>, 将伸缩柄上的开机锁 ⑤<sup>h</sup> 向前推并拉起伸缩柄上的启动柄 ⑥<sup>h</sup>。电池剪启动。
4. 重新松开开机锁 ⑤<sup>h</sup>。

### 停止：

1. 松开启动柄 ⑥/⑧。  
电池剪停止。
2. 等刀片停止不动，然后将保护罩推到刀片上。

## 3. 保养



#### 危险！人身伤害！

本产品如意外启动可导致割伤。

→ 在保养本产品之前，先等刀片停止不动并将保护罩推到刀片上。

1. 同时按下两个锁定按钮 ③ 然后卸下刀片 ④。
2. 请用湿布巾来清洁本产品。
3. 用 **GARDENA 护理喷剂 2366 号** 喷洒刀片。  
要避免塑料部件接触到油。
4. 重新安上刀片 ④。

### 清洁电池剪 [图 M1]：



#### 危险！人身伤害！

有受伤以及损坏产品的危险。

1. 请勿用水或水射流清洁本产品（尤其是高压水射流）。
2. 请勿使用化学品进行清洁（包括汽油和溶剂）。其中有些会损坏关键的塑料部件。

### 清洁充电器：

确保充电插座和充电器的表面及触点洁净且干燥，然后才连接充电器。

### 不要使用流水。

用柔然的干燥布巾清洁触点和塑料部件。

## 4. 存放

### 停止使用：

必须将本产品保存在儿童接触不到的地方。

1. 给电池充电。
2. 清洁电池剪和充电器（参见 3. 保养）。
3. 将电池剪和充电器保存在干燥、封闭且防冻的地方。

### 废弃处理：

（遵循 RL2012/19/EU）



本产品不得与普通家庭垃圾一起处理。  
必须遵守当地现行环境保护规定进行废弃处理。



GARDENA 电池为锂离子电池，在使用寿命结束时必须与一般的家庭垃圾分开进行废弃处理。

### 重要！

请通过当地的回收站来处理本产品。

## 5. 故障排除





**危险！人身伤害！**

本产品如意外启动可导致割伤。

→ 在排除本产品故障之前，先等刀片停止不动并将保护罩推到刀片上。

问题	可能原因	补救措施
修剪不齐整	刀片钝了或是损坏。	→ 请更换刀片。
运行时间过短	刀片已脏。	→ 请清洁刀片。
电池剪无法启动。 ① 闪烁绿灯 [图 02]	电池耗尽。	→ 给电池充电。

问题	可能原因	补救措施
电池剪无法启动。 故障 LED  闪烁红灯 [图 O2]	刀片被堵住 (过流)。	→ 清除障碍物。重新启动。
电池剪无法停止	启动柄卡住。	→ 参见 1. 安全。
故障 LED  亮起	电池故障 / 电池损坏。	→ 请联系 GARDENA 服务部门。



注意：

如出现其它故障，请联系 GARDENA 服务中心。维修工作只能由 GARDENA 服务中心或 GARDENA 授权的专业经销商进行。

## 6. 技术参数

电池剪	单位	参数值 (9853号)	参数值 (9854号)	参数值 (9856号)	参数值 (9857号)	电池剪	单位	参数值 (9853号)	参数值 (9854号)	参数值 (9856号)	参数值 (9857号)
		带割草刀	带灌木刀	带割草刀	带灌木刀			带割草刀	带灌木刀	带割草刀	带灌木刀
集线器	1/min	1000	1000	1000	1000	声功率级 $L_{WA}$ <sup>2)</sup>					
割草刀宽度	mm	80	-	80	-	测得 / 确保	dB (A)	79 / 80		79 / 80	
灌木刀长度	cm	-	12,5	-	12,5	不确定度 $k_{WA}$		0,35		0,4	
重量	g	575	640	635	700	手臂振动 $a_{vhw}$ <sup>1)</sup>	$m/s^2$	< 2,5	< 2,5	< 2,5	< 2,5
声压等级 $L_{PA}$ <sup>1)</sup>	dB (A)	< 70	< 70	< 70	< 70	不确定度 $k_a$		1,5	1,5	1,5	1,5
不确定度 $k_{PA}$		3	3	3	3	测量方法依据: <sup>1)</sup> EN 60745-2-15; <sup>2)</sup> RL 2000/14/EC					



注意：所述振动排放值是根据标准化的测试方法测得，可用于电动工具之间的比较。

该数值也可以用于初步评估暴露量。

振动排放值在实际应用电动工具过程中可能有不同。

9854 号套装包括 9853 号 ClassicCut Li 带 9863 号灌木刀。

9857 号套装包括 9856 号 ComfortCut Li 带 9862 割草刀和 9863 灌木刀。

ZH

电池	单位	参数值 (ClassicCut Li)	参数值 (ComfortCut Li)
电池电压	V (DC)	3,6	3,6
电池容量	Ah	2,5	3,0

电池	单位	参数值 (ClassicCut Li)	参数值 (ComfortCut Li)
电池充电时间 80% / 100% (约)	min.	130 / 175	150 / 200

电池充电器	单位	参数值
电源电压	V (AC)	100 - 240
电网频率	Hz	50 - 60
额定功率	W	10
输出电压	V (DC)	5
最大输出电流	mA	1000

部件名称	有害物质					
	铅	汞	镉	六价铬	多溴联苯	多修二苯醚
电池充电器	X	O	O	O	O	O
发动机 / 电子	X	O	O	O	O	O
外壳	O	O	O	O	O	O

本表格依据 SJ/T 11364 的规定编制。

O: 表示该有害物质在该部件所有均质材料中的含量均在 GB/T 26572 规定的限量要求以下。

X: 表示该有害物质至少在该部件的某一均质材料中的含量超出 GB/T 26572 规定的限量要求。

62

## 7. 配件

<b>GARDENA</b> 草坪及四季青修剪刀	用于修剪草地和四季青。	<b>9862 号</b>
<b>GARDENA</b> 灌木刀	用于修剪灌木。	<b>9863 号</b>
<b>GARDENA</b> 伸缩柄	用于直立修剪。	<b>9859 号</b>

<b>GARDENA 轮组</b>	用于辅助 修剪工作。	<b>9861 号</b>
<b>GARDENA 护理喷嘴</b>	可延长刀片寿命及保持电 池续航时间。	<b>2366 号</b>

## 8. 务 / 保修

### 服务：

请联系背面的地址。

### 保修声明：

在保修的情况下提供免费服务。

对所有原装GARDENA新产品，如果产品完全用于私人用途，GARDENA制造有限公司提供自从经销商处首次购买起2年保修。对于在二手市场上购买的产品，此制造商保修不适用。保修涉及所有产品重要缺陷，这些缺陷必须可证实由于材料或制造缺陷而造成。如果满足以下条件，我们将酌情更换一个功能正常的产品或免费维修发送的产品：

- 产品被正确使用，根据操作说明中的建议进行操作。
- 产品没有被买方或第三方试图打开或修理。
- 仅使用原装GARDENA备件和易损件进行操作。

### • 出示购买凭证

零件和组件（例如刀片、刀片装卡件、涡轮机、灯具，楔形带和齿形带、叶轮、空气过滤器、火花塞）的正常磨损、视觉变化以及易损件和消耗件不在保修范围内。

本制造商保修仅限于满足上述条件时提供备件和维修。对我们制造商提出的其它索赔，例如损害赔偿，并不在制造商保修之列。**当然，该制造商保修不影响对经销商/销售商的法定和合同保修索赔。**

制造商保修受德意志联邦共和国法律约束。

如果发生保修情况，请将有缺陷的产品连同购买凭证复印件和故障描述贴上足够邮资一起发送到GARDENA服务地址。

### 易损件：

修剪刀片为易损件，因此不在保修范围内。

**EN Product liability**

In accordance with the German Product Liability Act, we hereby expressly declare that we accept no liability for damage incurred from our products where said products have not been properly repaired by a GARDENA-approved service partner or where original GARDENA parts or parts authorised by GARDENA were not used.

**FR Responsabilité**

Conformément à la loi relative à la responsabilité du fait des produits défectueux, nous déclarons expressément par la présente que nous déclinons toute responsabilité pour les dommages résultant de nos produits, si lesdits produits n'ont pas été correctement réparés par un partenaire d'entretien agréé GARDENA ou si des pièces d'origine GARDENA ou des pièces agréées GARDENA n'ont pas été utilisées.

**ES Responsabilidad sobre el producto**

De acuerdo con la Ley de responsabilidad sobre productos alemana, por la presente declaramos expresamente que no aceptamos ningún tipo de responsabilidad por los daños ocasionados por nuestros productos si dichos productos no han sido reparados por un socio de mantenimiento aprobado por GARDENA o si no se han utilizado piezas originales GARDENA o piezas autorizadas por GARDENA.



**Deutschland / Germany**

GARDENA Manufacturing GmbH  
Central Service  
Hans-Lorenser-Straße 40  
D-89079 Ulm  
Produktfragen: (+49) 731 490-123  
Reparaturen: (+49) 731 490-290  
service@gardena.com  
http://www.gardena.com

**Albania**

KRAFT SHPK  
Autostrada Tirane-Durres  
Km 7  
1051 Tirane

**Argentina**

ROBERTO C. RUMBO S.R.L.  
Predio Norlog  
Lote 7  
Benavidez, ZC: 1621  
Buenos Aires  
ventas@rumbosrl.com.ar

**Australia**

Husqvarna Australia Pty. Ltd.  
Locked Bag 5  
Central Coast BC  
NSW 2252  
Phone: (+ 61) (0) 2 4352 7400  
customer.service@  
husqvarna.com.au

**Austria / Österreich**

Husqvarna Austria GmbH  
Industriezeile 36  
4010 Linz  
Tel.: (+43) 732 77 01 01-485  
service.gardena@  
husqvarnagroup.com

**Azerbaijan**

Firm Progress  
a. Aliyev Str. 26A  
1052 Baku

**Belarus**

Private Enterprise  
"Master Garden"  
Minsk  
Sharangovich str., 7a  
Phone: (+375) 17 257-00-33  
Mob.: (+375) 29 676-16-09  
mg@mastergarden.by

**Belgium**

Husqvarna Belgium nv  
Gardena Division  
Leuvensesteenweg 542  
Planet II E  
1930 Zaventem  
Belgie

**Bosnia / Herzegovina**

SILK TRADE d.o.o.  
Industrijska zona Bukva bb  
74260 Tešanj

**Brazil**

Husqvarna do Brasil Ltda  
Av. Francisco Matarazzo,  
1400 – 19ª andar  
São Paulo – SP  
CEP: 05001-903  
Tel: 0800-112252  
marketing.br.husqvarna@  
husqvarna.com.br

**Bulgaria**

AGROLAND България АД  
бул. 8 Декември, № 13  
Офис 5  
1700 Студентски град  
София  
Tel.: (+359) 24 66 69 10  
info@agroland.eu

**Canada / USA**

GARDENA Canada Ltd.  
100 Summerlea Road  
Brampton, Ontario L6T 4X3  
Phone: (+1) 905 932 93 30  
info@gardenacanada.com

**Chile**

REPRESENTACIONES  
JCE S.A.  
Av. Del Valle Norte 857,  
Piso 4  
Santiago RM  
Phone: (+56) 2 24142560  
contacto@jce.cl

**China**

Husqvarna (Shanghai)  
Management Co., Ltd.  
富世华 (上海) 管理有限公司  
3F, Benq Square B,  
No207, Song Hong Rd.,  
Chang Ning District,  
Shanghai, PRC. 200335  
上海市长宁区淞虹路207号明  
基广场B座3楼, 邮编: 200335

**Colombia**

Husqvarna Colombia S.A.  
Calle 18 No. 68 D-31, zona  
Industrial de Montevideo  
Bogotá, Cundinamarca  
Tel. 571 2922700 ext. 105  
jairo.salazar@husqvarna.com.co

**Costa Rica**

Compania Exim  
Euroberoamericana S.A.  
Los Colegios, Moravia,  
200 metros al Sur del Colegio  
Saint Francis – San José  
Phone: (+506) 297 68 83  
exim\_euro@racsa.co.cr

**Croatia**

Husqvarna Austria GmbH  
Industriezeile 36  
4010 Linz  
Tel.: (+43) 732 77 01 01-485  
service.gardena@  
husqvarnagroup.com

**Cyprus**

Med Marketing  
17 Digeni Akritia Ave  
P.O. Box 27017  
1641 Nicosia

**Czech Republic**

Husqvarna Cesko s.r.o.  
Türkova 2319/5b  
149 00 Praha 4 – Chodov  
Bezpłatná infolinka :  
800 100 425  
servis@cz.husqvarna.com

**Denmark**

GARDENA DANMARK  
Lejrvvej 19, st.  
3500 Værløse  
Tlf.: (+45) 70 26 47 70  
husqvarna@husqvarna.dk  
www.gardena.com / dk

**Dominican Republic**

BOSQUESA, S.R.L  
Carretera Santiago Licey  
Km. 5 ½  
Esquina Copal II.  
Santiago  
Dominican Republic  
Phone: (+809) 736-0333  
joserbosquesa@claro.net.do

**Ecuador**

Husqvarna Ecuador S.A.  
Arupos E1-181 y 10 de  
Agosto Quito, Pichincha  
Tel.: (+593) 22800739  
francisco.jacome@  
husqvarna.com.ec

**Estonia**

Husqvarna Eesti OÜ  
Valdeku 132  
EE-11216 Tallinn  
info@gardena.ee

**Finland**

Oy Husqvarna Ab  
Gardena Division  
Lautatarankatu 8 B / PL 3  
00581 HELSINKI  
www.gardena.fi

**France**

Husqvarna France  
9/11 Allée des pierres mayettes  
92635 Gennevilliers Cedex  
France  
http://www.gardena.com/ fr  
N° AZUR: 0 810 00 78 23  
(Prix d'un appel local)

**Georgia**

Transporter LLC  
113B Belashvili street  
0159 Tbilisi, Georgia

**Great Britain**

Husqvarna UK Ltd  
Preston Road  
Aycliffe Industrial Park  
Newton Aycliffe  
County Durham  
DL5 6UP  
info.gardena@husqvarna.co.uk

**Greece**

ΠΛΑΠΑΔΟΠΟΥΛΟΣ ΑΕΒΕ  
Αδων. Αθηνών 92  
Αθήνα  
T.K.104 42  
Ελλάδα  
Τηλ. (+30) 210 5193 100  
info@papadopoulos.com.gr

**Hungary**

Husqvarna Magyarország Kft.  
Ezred u. 1-3  
1044 Budapest  
Telefon: (+36) 1 251-4161  
vevoszolgalat.husqvarna@  
husqvarna.hu

**Iceland**

BYKO ehf.  
Bíldshöfða 20  
110 Reykjavík

**Ireland**

Husqvarna UK Ltd  
Preston Road  
Aycliffe Industrial Park  
Newton Aycliffe  
County Durham  
DL5 6UP  
info.gardena@husqvarna.co.uk

**Italy**

Husqvarna Italia S.p.A.  
Via Santa Vecchia 15  
23868 VALMADRERA (LC)  
Phone: (+39) 0341.203.111  
assistenza.italia@it.husqvarna.com

**Japan**

Husqvarna Zenoah Co., Ltd.  
1-9 Minamidai  
Kawagoe  
350-1165 Saitama  
gardena-jp@husqvarnagroup.com

**Kazakhstan**

LAMED Ltd.  
155/1, Tazhibayevoi Str.  
050060 Almaty  
IP Schmidt  
Abayavenue 3B  
110 005 Kostanay

**Korea**

Kyung Jjin Trading CO.,LTD.  
107-4, Sunduk Bld.,  
YangJae-dong,  
Seocho-gu,  
Seoul, (zipcode: 137-891)  
Phone: (+82) (0)2 574-6300

**Latvia**

Husqvarna Latvija SIA  
Ulbrokas 19A  
LV-1021 Riga  
info@gardena.lv

**Lithuania**

UAB Husqvarna Lietuva  
Ateities pl. 77C  
LT-52104 Kaunas  
info@gardena.lt

**Luxembourg**

Magasins Jules Neuberg  
39, rue Jacques Stas  
Luxembourg-Gasperich 2549  
Case Postale No. 12  
Luxembourg 2010  
Phone: (+352) 40 14 01  
api@neuberg.lu

**Mexico**

AFOSA  
Av. Lopez Mateos Sur # 5019  
Col. La Calma 45070  
Zapopan, Jalisco, Mexico  
Phone: (+52) 33 3818-3434  
icornejo@afosa.com.mx

**Moldova**

Corvel S.R.L.  
290A Muncesti Str.  
2002 Chisinau

**Netherlands**

Husqvarna Nederland B.V.  
GARDENA Division  
Postbus 50131  
1305 AC ALMERE  
Phone: (+31) 36 521 00 10  
info@gardena.nl

**Neth. Antilles**

Jonka Enterprises N.V.  
Sta. Rosa Weg 196  
P.O. Box 8200  
Curaçao  
Phone: (+599) 9 767 66 55  
pgm@jonka.com

**New Zealand**

Husqvarna New Zealand Ltd.  
PO Box 76-437  
Manukau City 2241  
Phone: (+64) (0) 9 9202410  
support.nz@husqvarna.co.nz

**Norway**

Husqvarna Norge AS  
Gardena Division  
Trøskenvæien 36  
1708 Sarpsborg  
info@gardena.no

**Peru**

Husqvarna Perú S.A.  
Jr. Ramón Cárcamo 710  
Lima 1  
Tel: (+51) 1 3320400 ext. 416  
juan.rumzugo@husqvarna.com

**Poland**

Husqvarna Poland Spółka z o.o.  
ul. Wysockiego 15 b  
03-371 Warszawa  
Phone: (+48) 22 330 96 00  
gardena@husqvarna.com.pl

**Portugal**

Husqvarna Portugal, SA  
Lagoa - Albarraque  
2635 - 595 Rio de Mouro  
Tel.: (+351) 21 922 85 30  
Fax: (+351) 21 922 85 36  
info@gardena.pt

**Romania**

Madex International Srl  
Soseaua Odaii 117 - 123,  
RO 013603 Bucuresti, S1  
Phone: (+40) 21 352.76.03  
madex@ines.ro

**Russia / Россия**

000 „Хусварна“  
141400, Московская обл.,  
г. Химки,  
улица Ленинградская,  
владение 39, стр.6  
Бизнес Центр  
„Химки Бизнес Парк“,  
помещение 0B02\_04  
http://www.gardena.ru

**Serbia**

Domel d.o.o.  
Autoput za Novi Sad bb  
11273 Belgrade  
Phone: (+381) 11 8488812  
miroslav.jejina@domel.rs

**Singapore**

Hy-Ray PRIVATE LIMITED  
40 Jalan Pemimpin  
#02-08 Tat Ann Building  
Singapore 577185  
Phone: (+65) 6253 2277  
shiyang@hyray.com.sg

**Slovak Republic**

Husqvarna Cesko s.r.o.  
Turkova 2319/5b  
149 00 Praha 4 - Chodov  
Bezplatná infolinka:  
800 154 044  
servis@sk.husqvarna.com

**Slovenia**

Husqvarna Austria GmbH  
Industriezeile 36  
4010 Linz  
Tel.: (+43) 732 77 01 01-485  
service.gardena@husqvarnagroup.com

**South Africa**

Husqvarna  
South Africa (Pty) Ltd  
Postnet Suite 250  
Private Bag X6,  
Cascades, 3202  
South Africa  
Phone: (+27) 33 846 9700  
info@gardena.co.za

**Spain**

Husqvarna España S.A.  
Calle de Rivas nº 10  
28052 Madrid  
Phone: (+34) 91 708 05 00  
atencioncliente@gardena.es

**Suriname**

Deto Handelmaatschappij N.V.  
Kernkampweg 72-74  
P.O.Box: 12782  
Paramaribo – Suriname  
South America  
Phone: (+597) 438050  
www.deto.sr

**Sweden**

Husqvarna AB/GARDENA Sverige  
Drottninggatan 2  
561 82 Huskvarna  
Sverige

**Switzerland / Schweiz**

Husqvarna Schweiz AG  
Consumer Products  
Industriestrasse 10  
5506 Mägenwil  
Phone: (+41) (0) 62 887 37 90  
info@gardena.ch

**Turkey**

Dost Bahçe Dış Ticaret  
Müessesilik A.Ş.  
Yunus Mah. Adli Sok. No: 3  
İc Kapi No: 1 Kartal  
34873 İstanbul  
Phone: (+90) 216 38 93 939  
info@dostbahce.com.tr

**Ukraine / Україна**

TOB «Хусварна Україна»  
вул. Васильківська, 34,  
офіс 204-Г  
03022, м. Київ  
Tel. (+38) 0 800 504 804  
info@gardena.ua

**Uruguay**

FELI SA  
Entre Rios 1083 CP 11800  
Montevideo – Uruguay  
Tel: (+598) 22 03 18 44  
info@felisa.com.uy

**Venezuela**

Corporación Casa y Jardín C.A.  
Av. Caroni, Edif. Trezmen, PB.  
Colinas de Bello Monte.  
1050 Caracas.  
Tel: (+58) 212 992 33 22  
info@casayjardin.net.ve