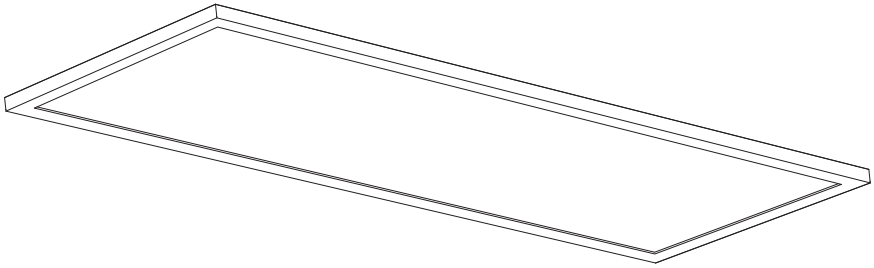
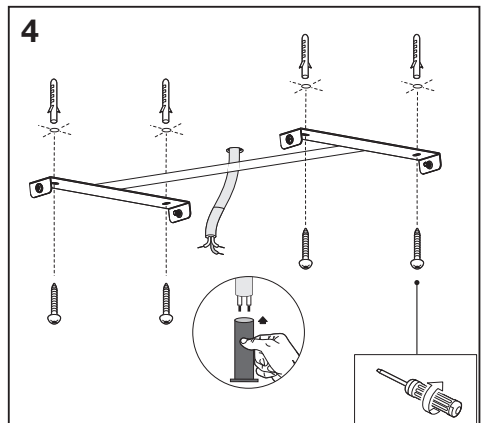
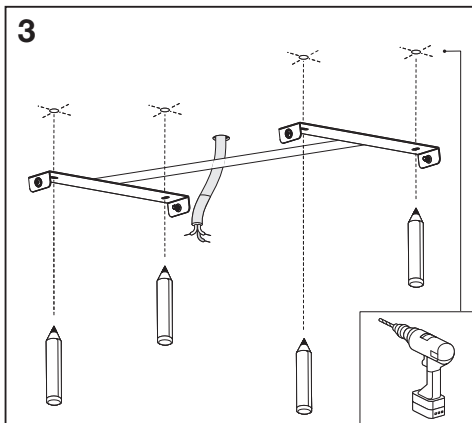
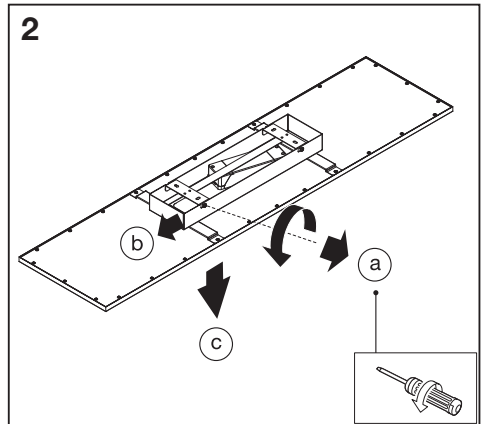
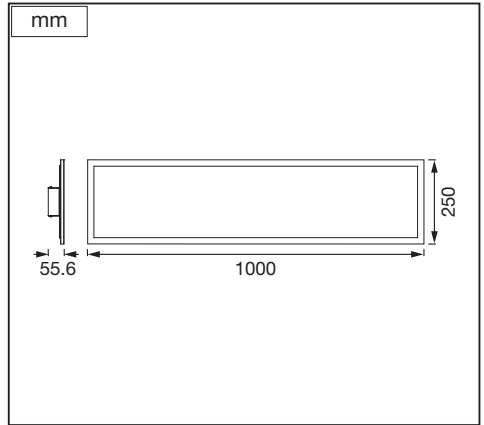
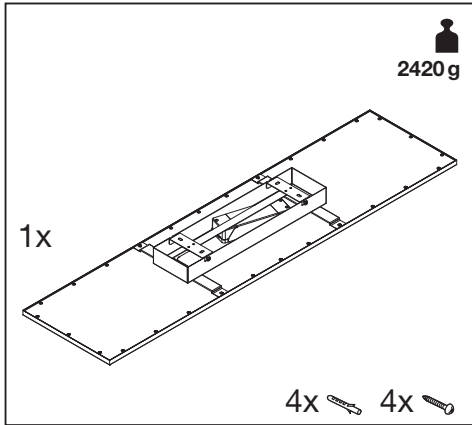


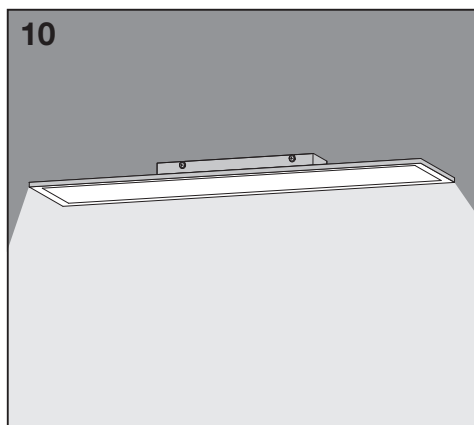
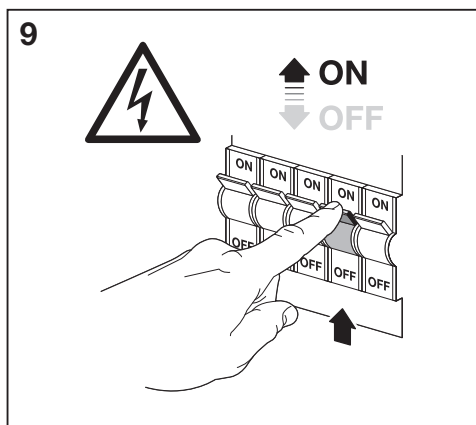
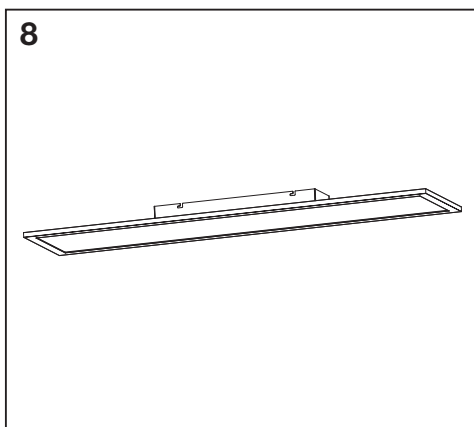
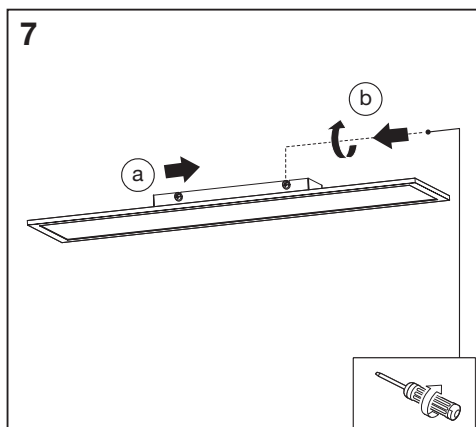
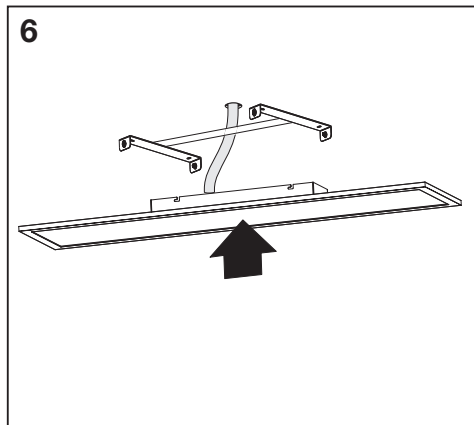
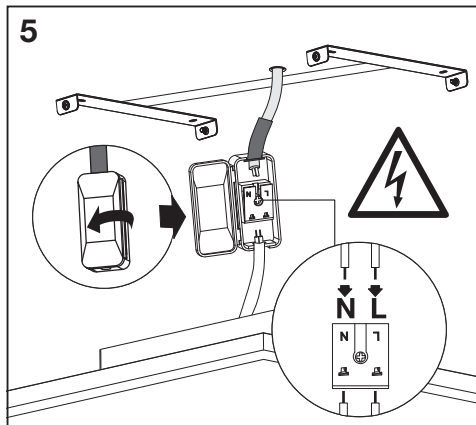



SMART⁺ PLANON PLUS



	EAN	W	lm	K	°C (°C)	V~	mA	Hz	PF
SMART WIFI PLANON PLUS 100X25 REMTW	4058075590175	28	2100	3000-6500	-20...+40	220-240	170	50/60	>0.9





	EAN	This product contains a light source of energy efficiency class	Contained Light Source
SMART WIFI PLANON PLUS 100X25 REMTW	4058075590175	E	



C10449057
G11111755
07.05.2021



LEDVANCE GmbH
Steinerne Furt 62
86167 Augsburg, Germany
www.ledvance.com