



Paulmann

**Safety Instructions**

0,1,2,3,4,6,7,8,9,11,15,  
20,22,26,27



**Info**

[www.paulmann.com](http://www.paulmann.com)

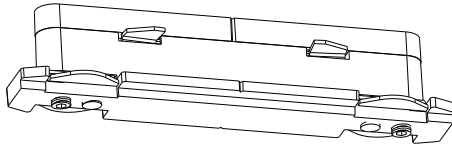
Paulmann Licht GmbH  
Quezinger Feld 2  
31832 Springe  
Germany

[www.paulmann.com](http://www.paulmann.com)

Art.-Nr.: 951.36



(+MA173)PBO 10/20



1x



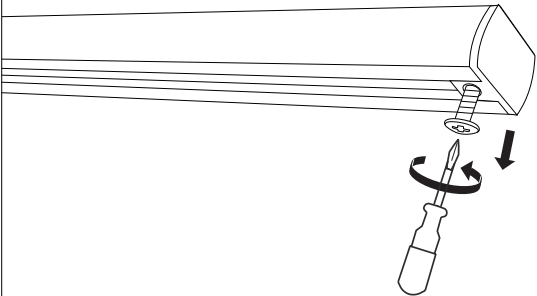
1x



**A**



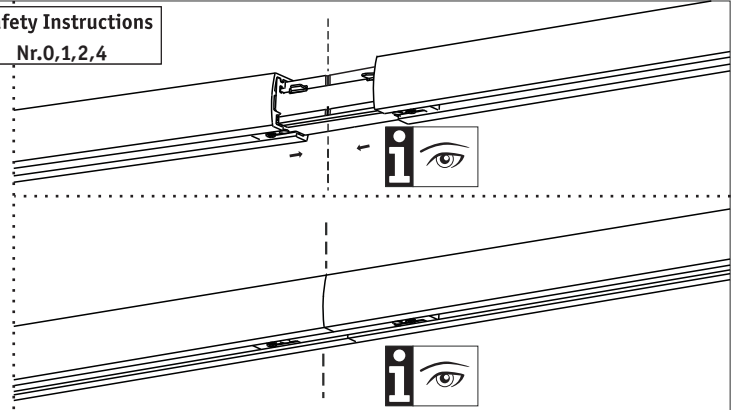
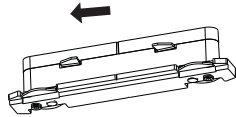
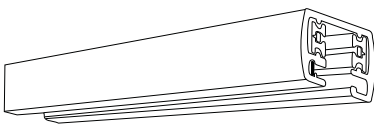
**Safety Instructions**  
Nr.0,1,2,4



**B**



**Safety Instructions**  
Nr.0,1,2,4



**C**



**Safety Instructions**  
Nr.0,1,2,4

