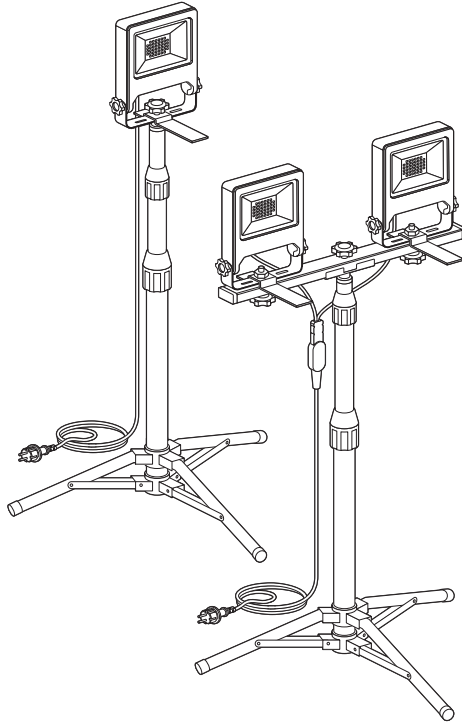

LED WORKLIGHT TRIPOD

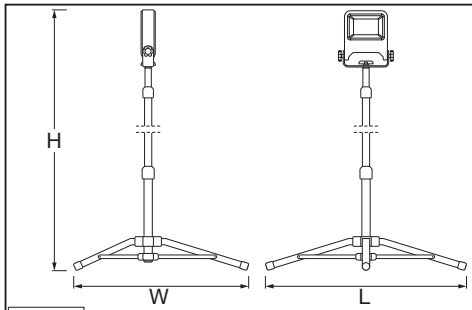
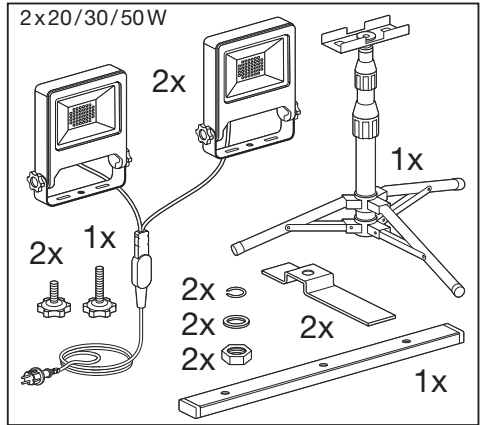
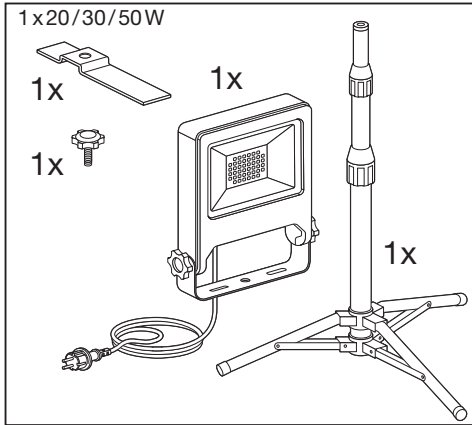


IP65

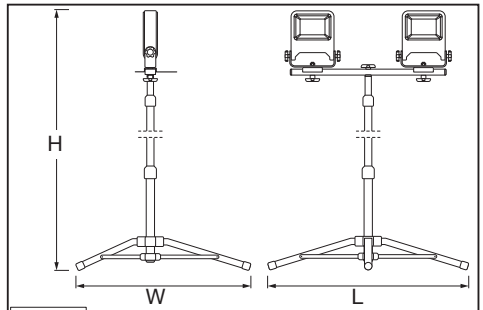
IP44

	EAN	W	lm	K	Temp (°C)	V~	mA	Hz	PF
LED WORKLIGHT 1x20W 840 TRIPOD	4058075213890	20	1700	4000	-20...+45	220-240	92	50/60	>0.9
LED WORKLIGHT 2x20W 840 TRIPOD	4058075213913	2x20	2x1700	4000	-20...+45	220-240	184	50/60	>0.9
LED WORKLIGHT 1x30W 840 TRIPOD	4058075213937	30	2700	4000	-20...+45	220-240	145	50/60	>0.9
LED WORKLIGHT 2x30W 840 TRIPOD	4058075213951	2x30	2x2700	4000	-20...+45	220-240	290	50/60	>0.9
LED WORKLIGHT 1x50W 840 TRIPOD	4058075213975	50	4500	4000	-20...+45	220-240	220	50/60	>0.9
LED WORKLIGHT 2x50W 840 TRIPOD	4058075213999	2x50	2x4500	4000	-20...+45	220-240	440	50/60	>0.9

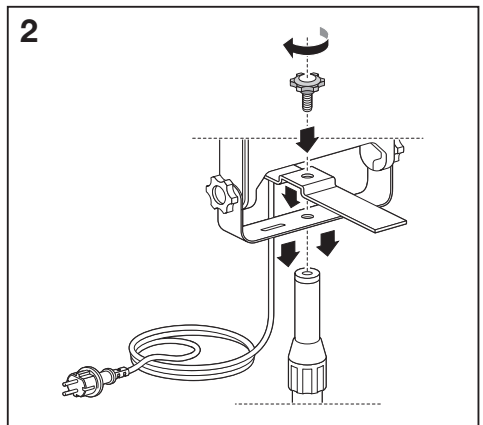
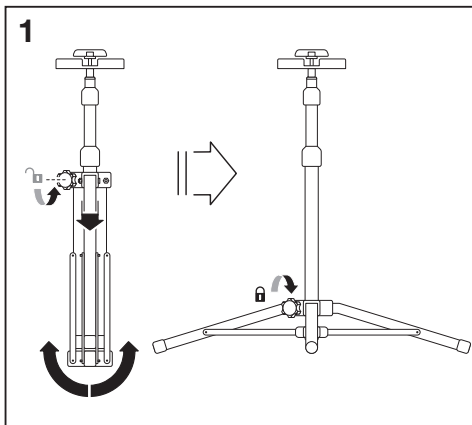
TRIPOD

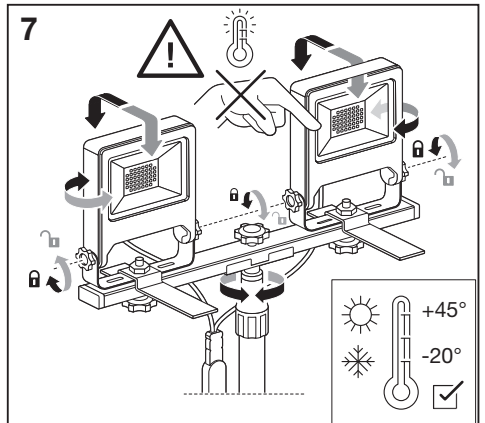
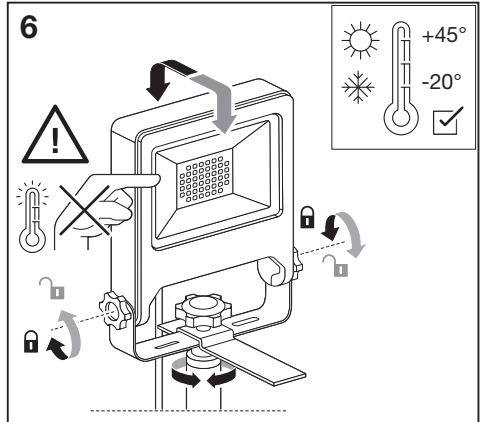
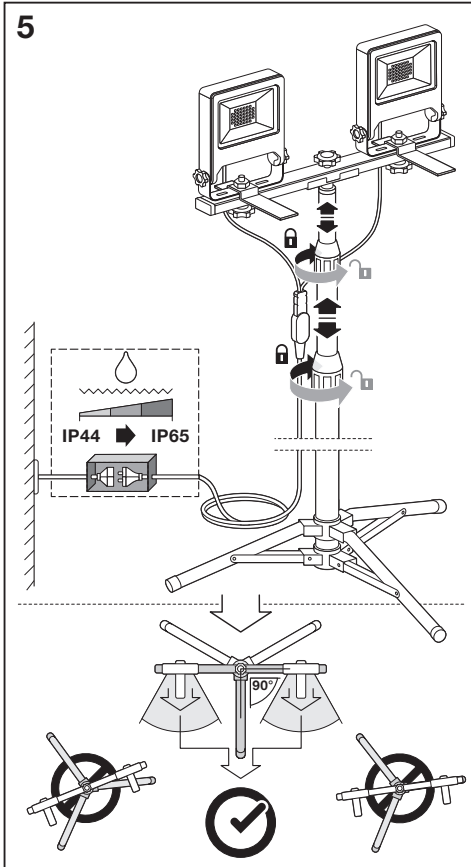
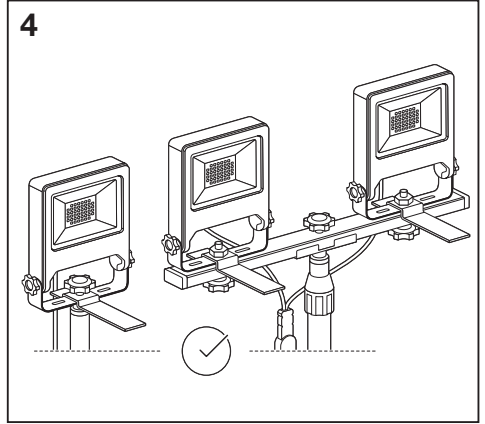
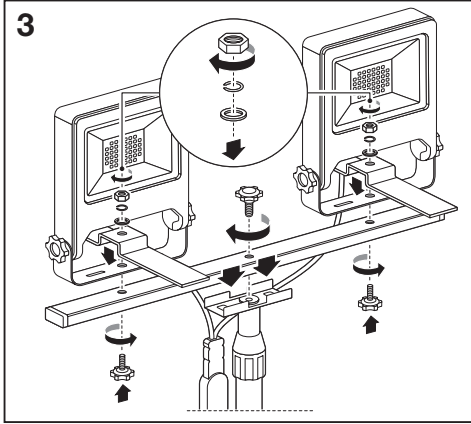


mm	L	W	H	👤
LED WORKLIGHT 1x20W	780	680	1700	2.6kg
LED WORKLIGHT 1x30W	780	680	1750	2.9kg
LED WORKLIGHT 1x50W	780	680	1800	3.3kg



mm	L	W	H	👤
LED WORKLIGHT 2x20W	780	680	1700	3.4kg
LED WORKLIGHT 2x30W	780	680	1750	3.9kg
LED WORKLIGHT 2x50W	780	680	1800	4.8kg







LEDVANCE GmbH
Steinerne Furt 62
86167 Augsburg, Germany
www.ledvance.com