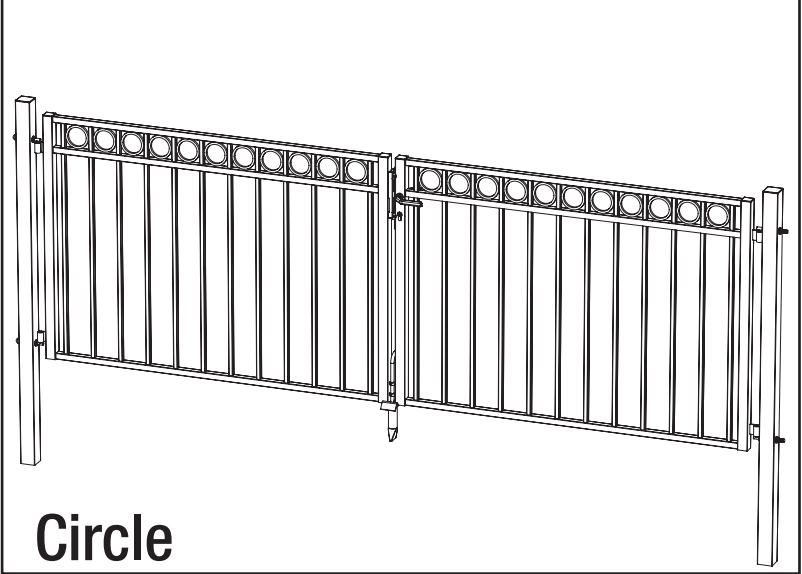
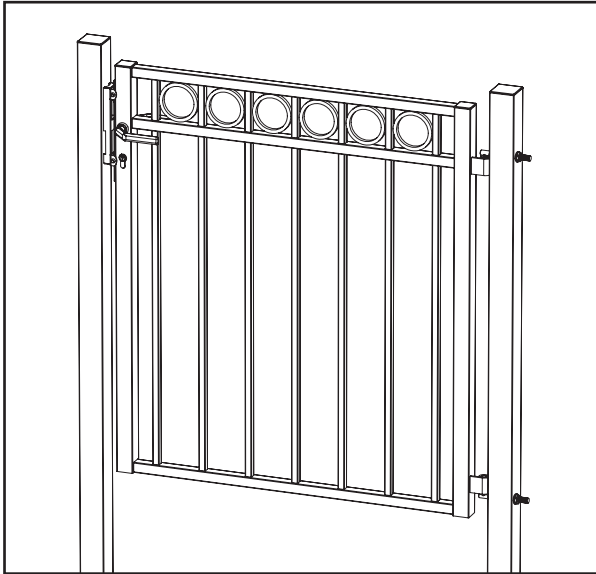
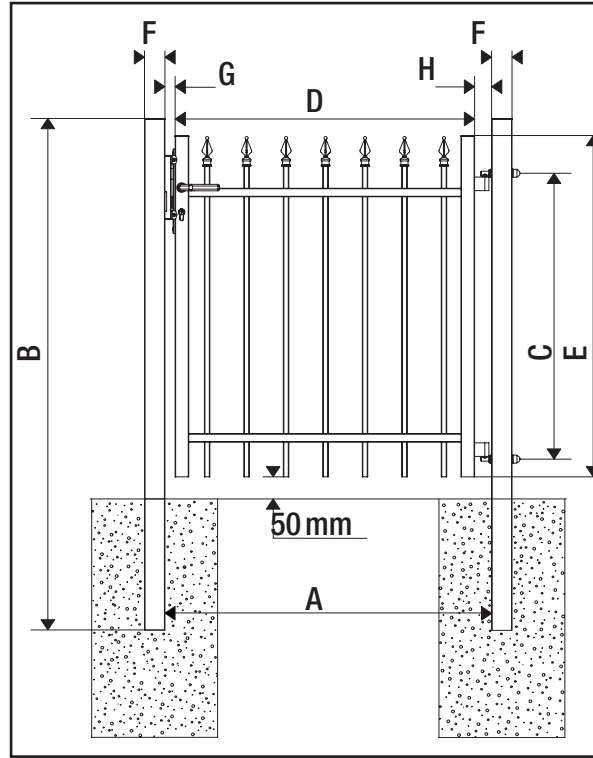
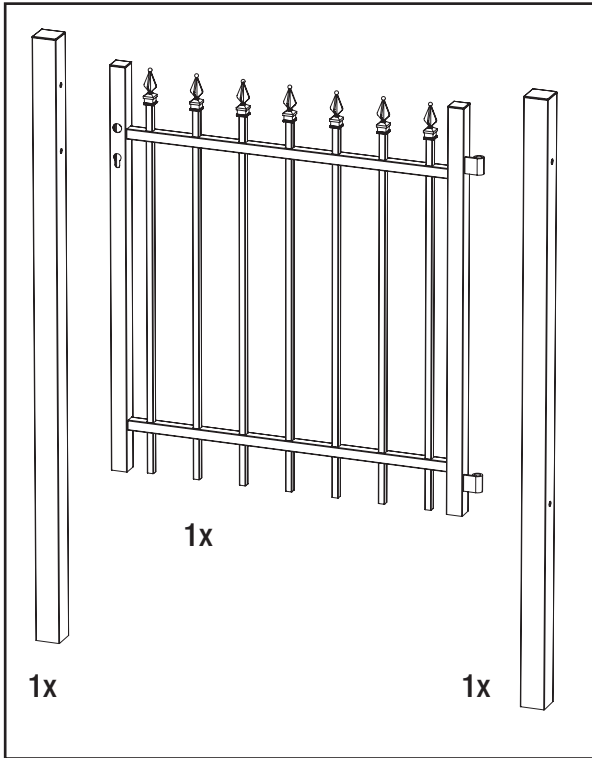


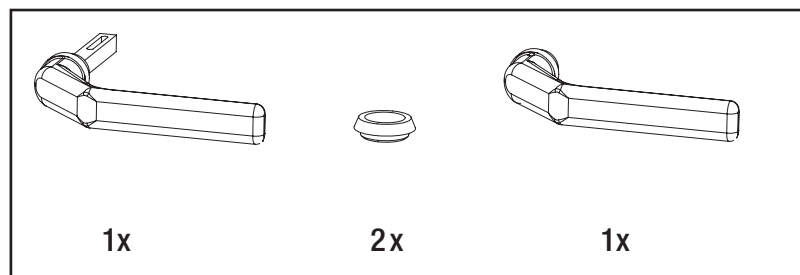
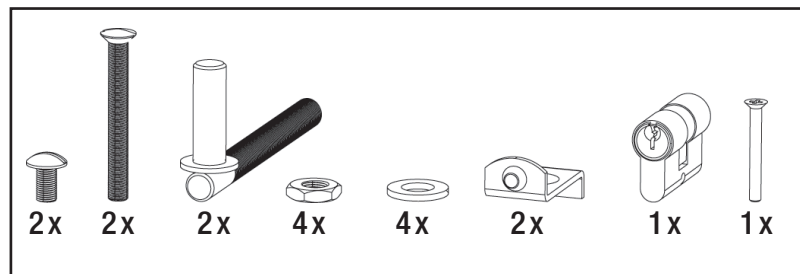
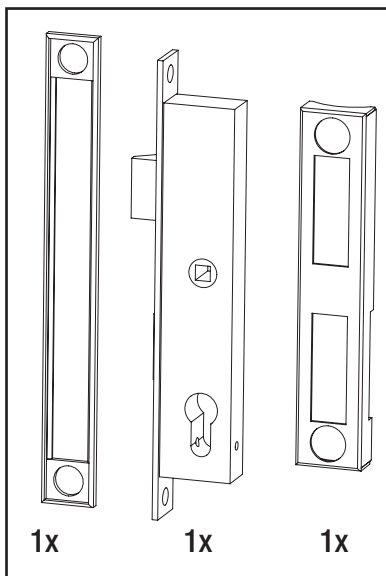
Chaussee



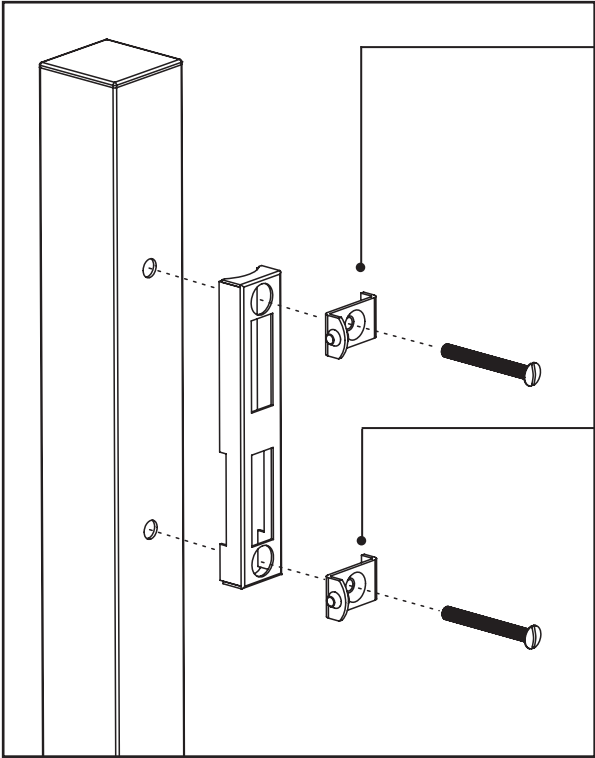
Circle



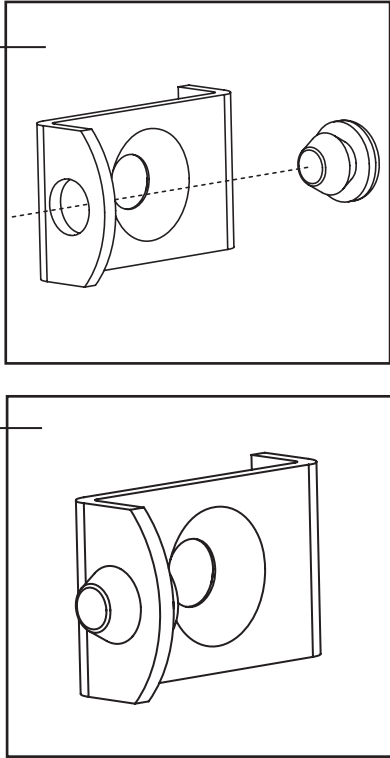
	Chaussee	Circle
A (mm)	965	965
B (mm)	1500/1700	1500/1700
C (mm)	840/1040	840/1040
D (mm)	880	880
E (mm)	1000/1200	1000/1200
F (mm)	60	60
G (mm)	35	35
H (mm)	50	50



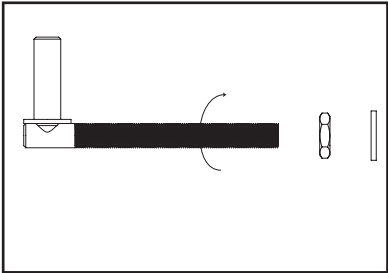
1.2



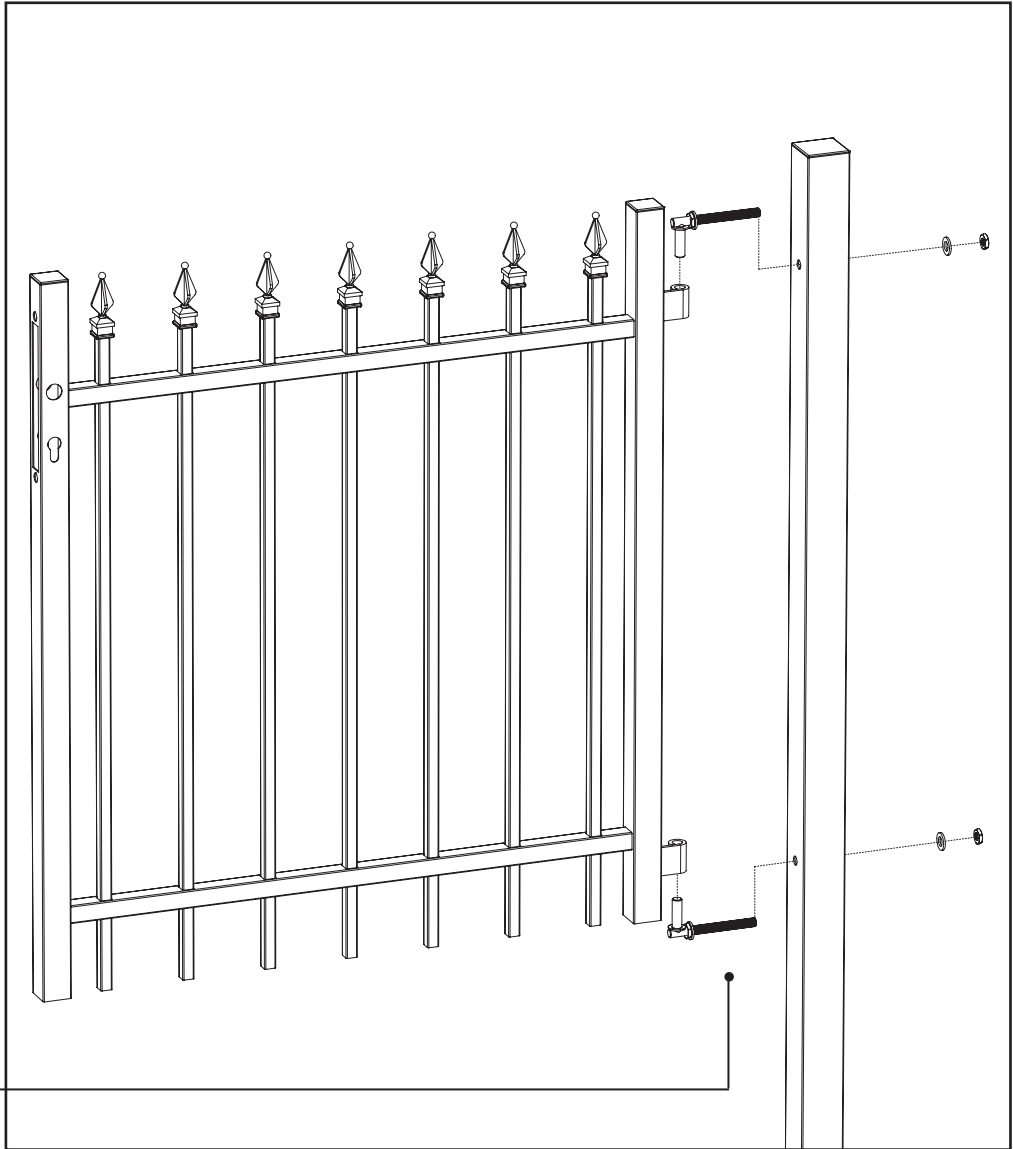
1.1



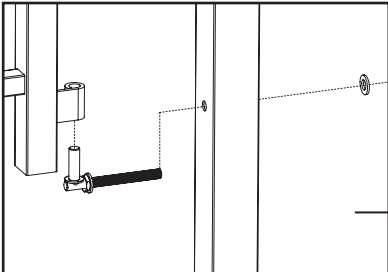
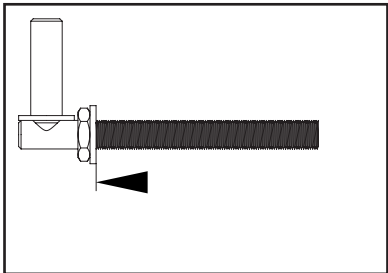
2.1



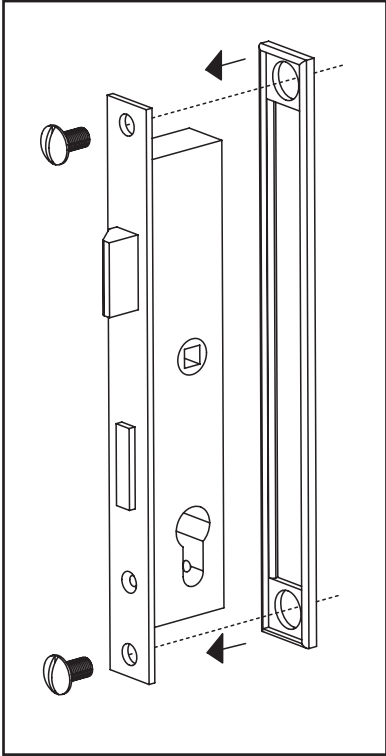
2.3



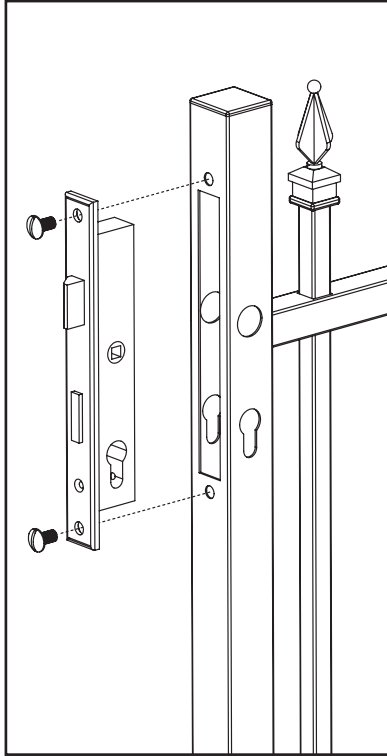
2.2



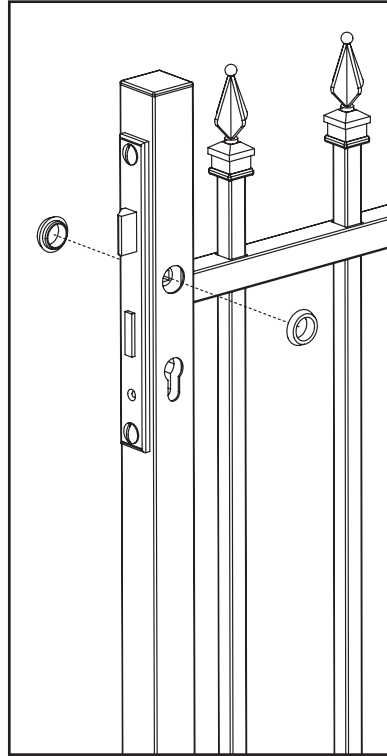
3.1



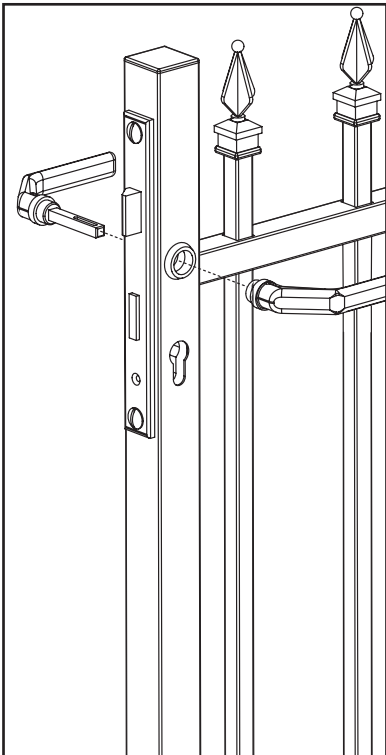
3.2



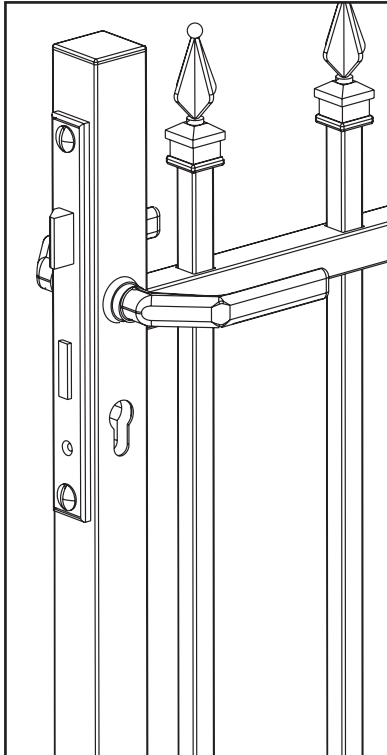
3.3



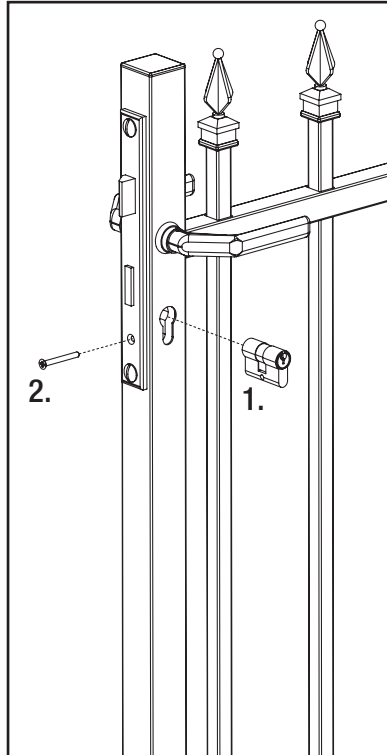
3.4

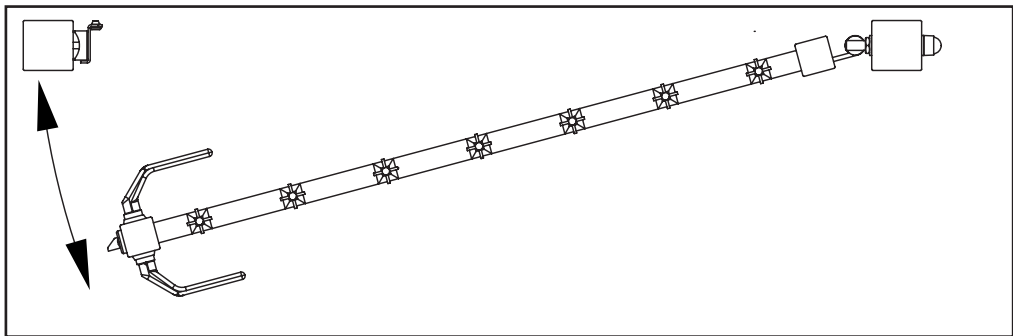
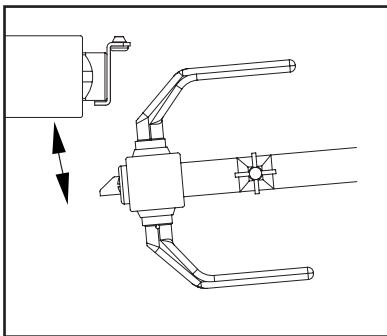
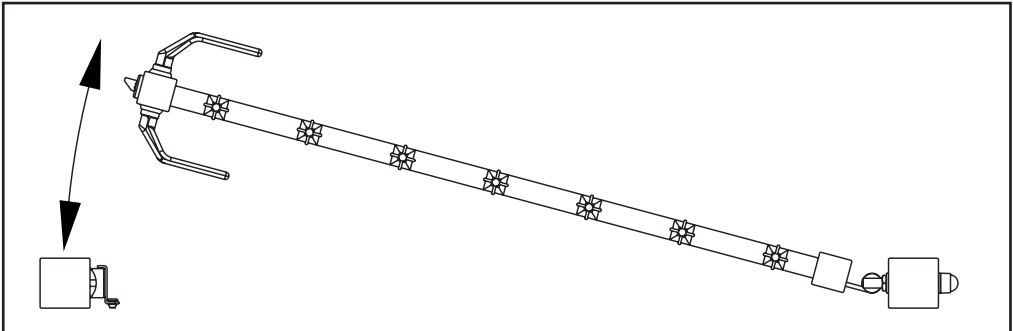
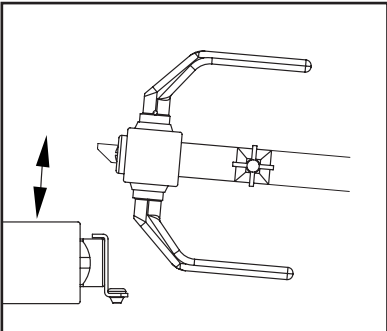


3.5

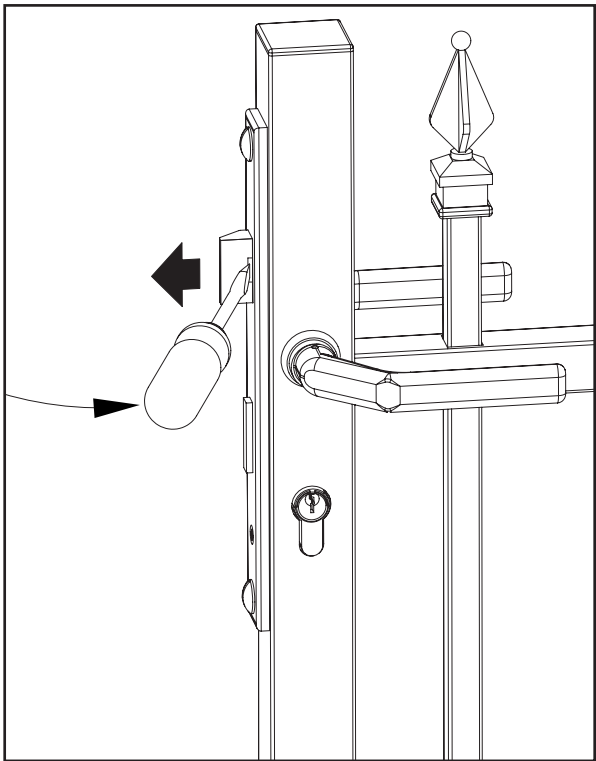


3.6

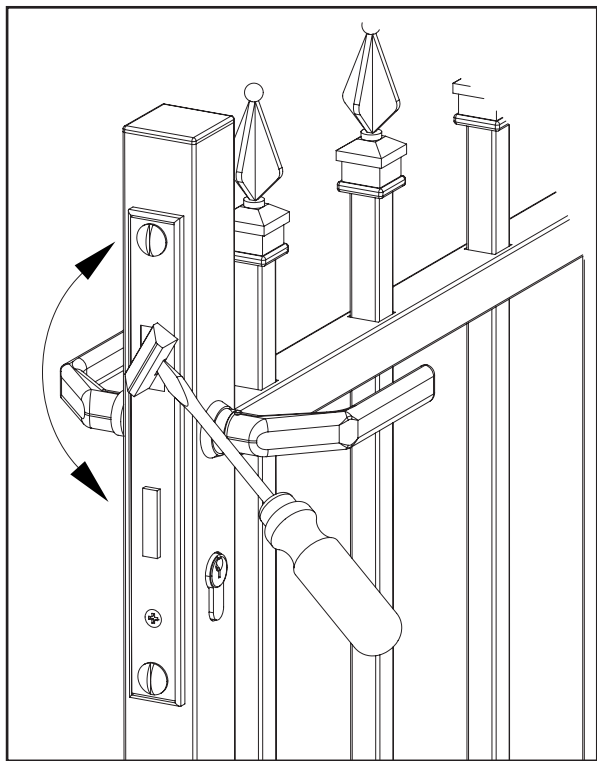




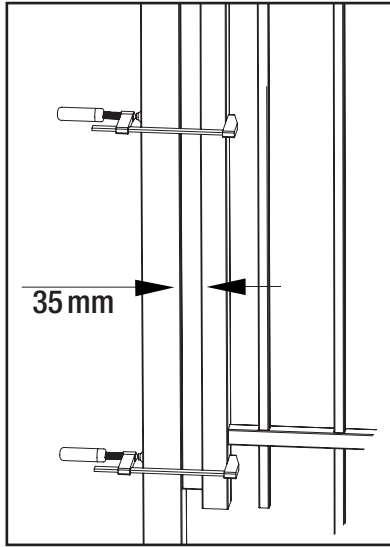
3.7



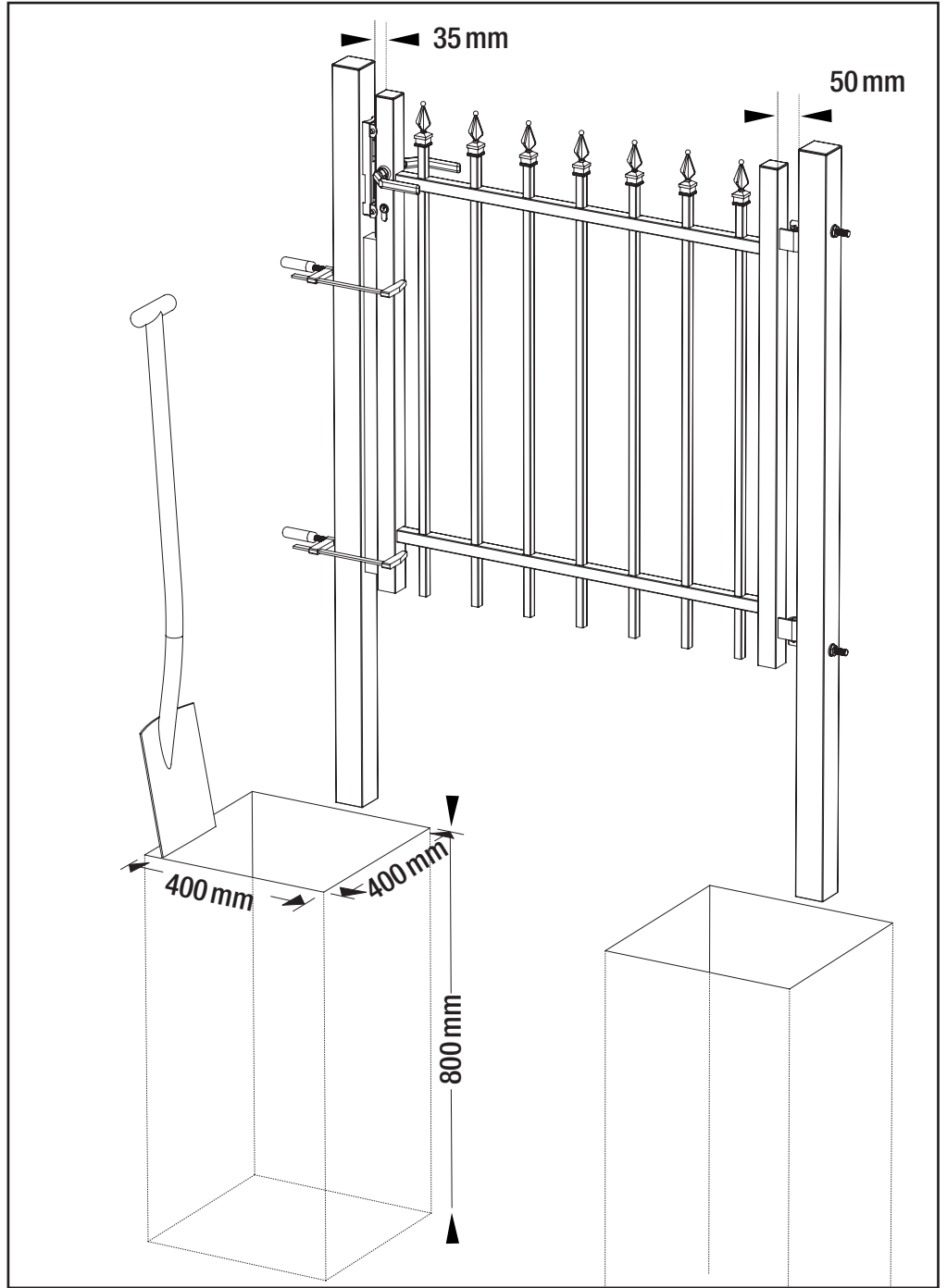
3.8



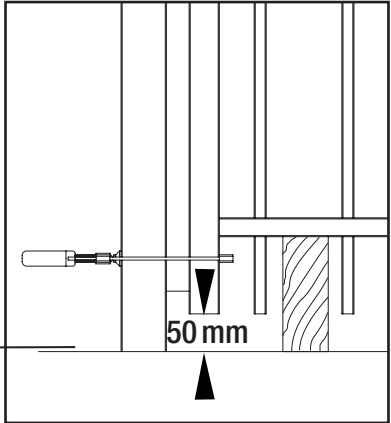
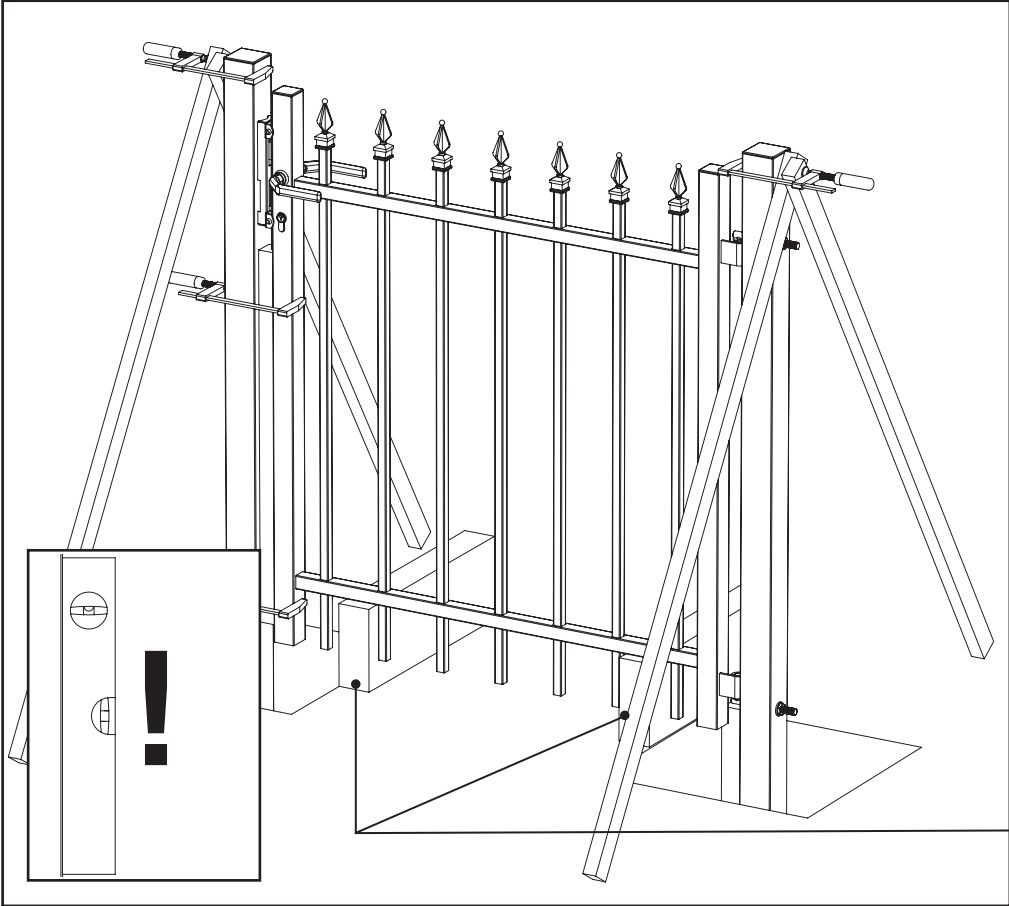
4.1



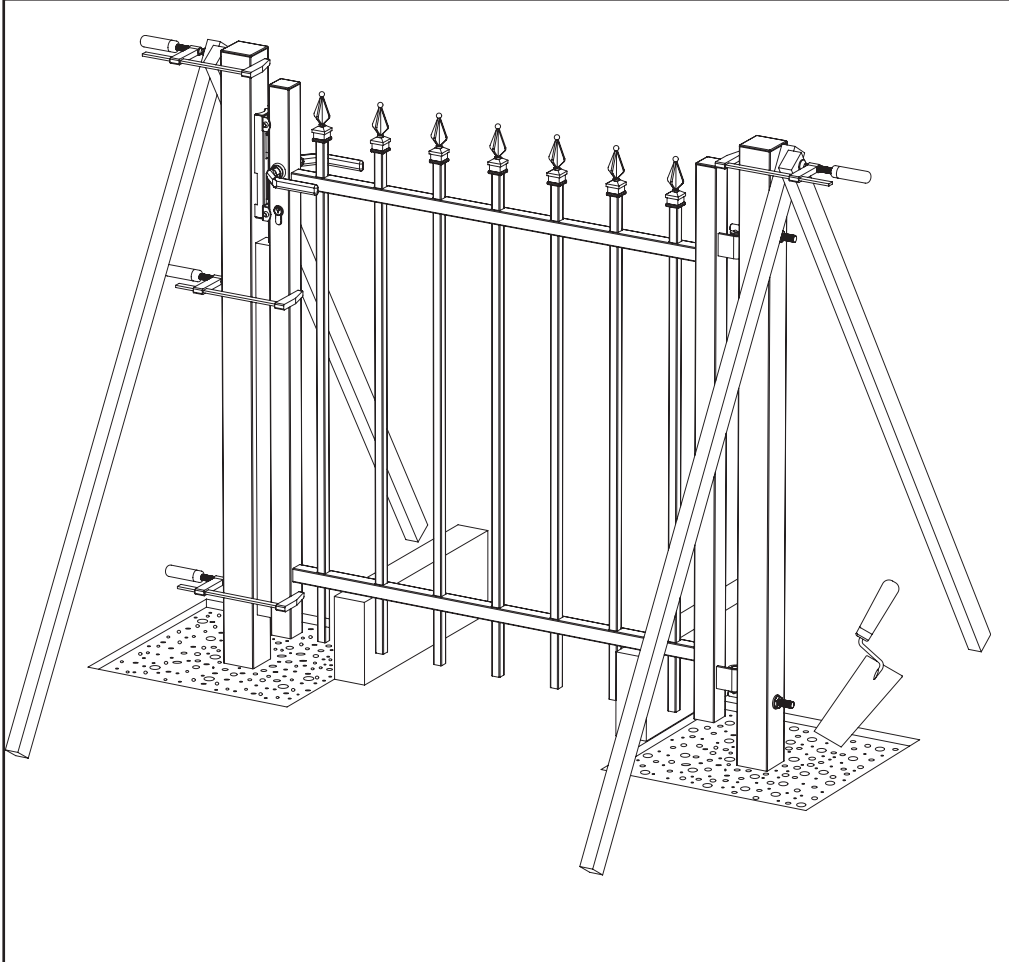
4.2



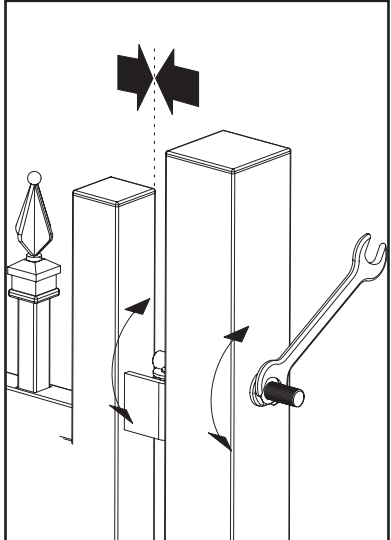
5.1

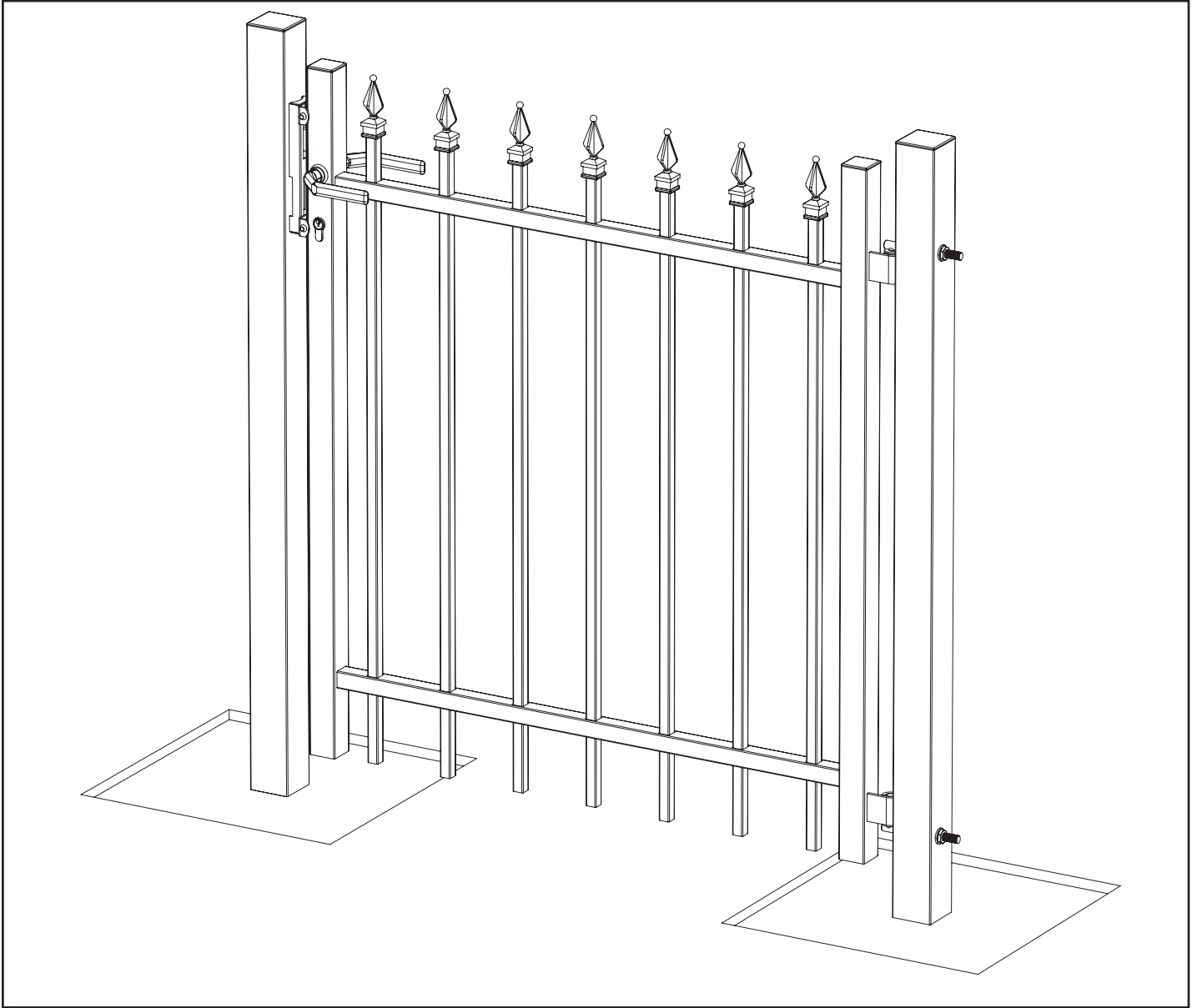


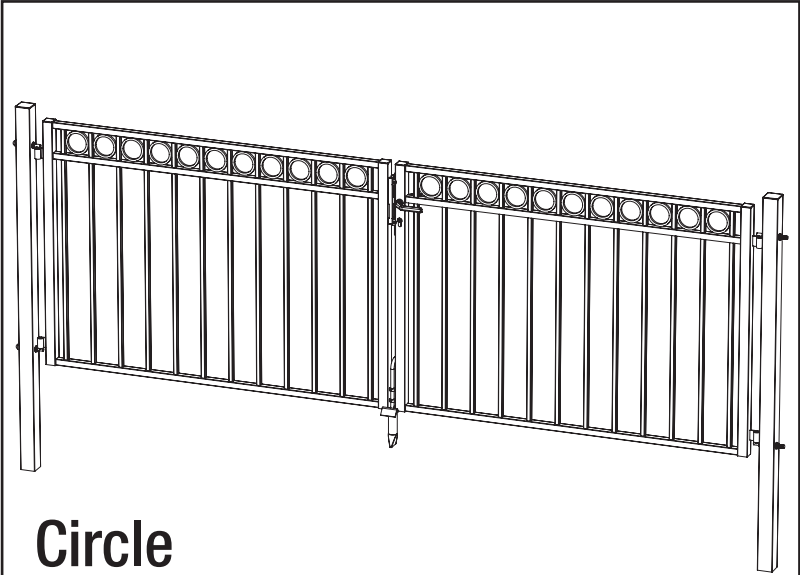
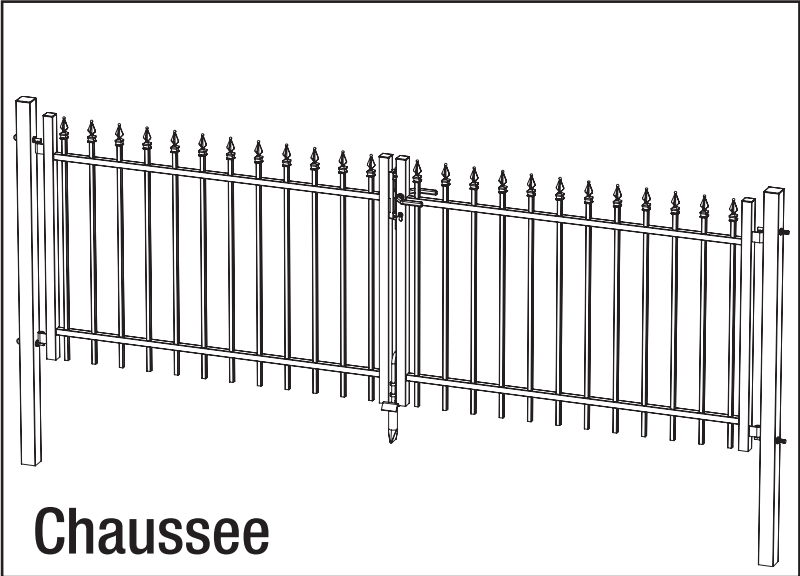
6.1

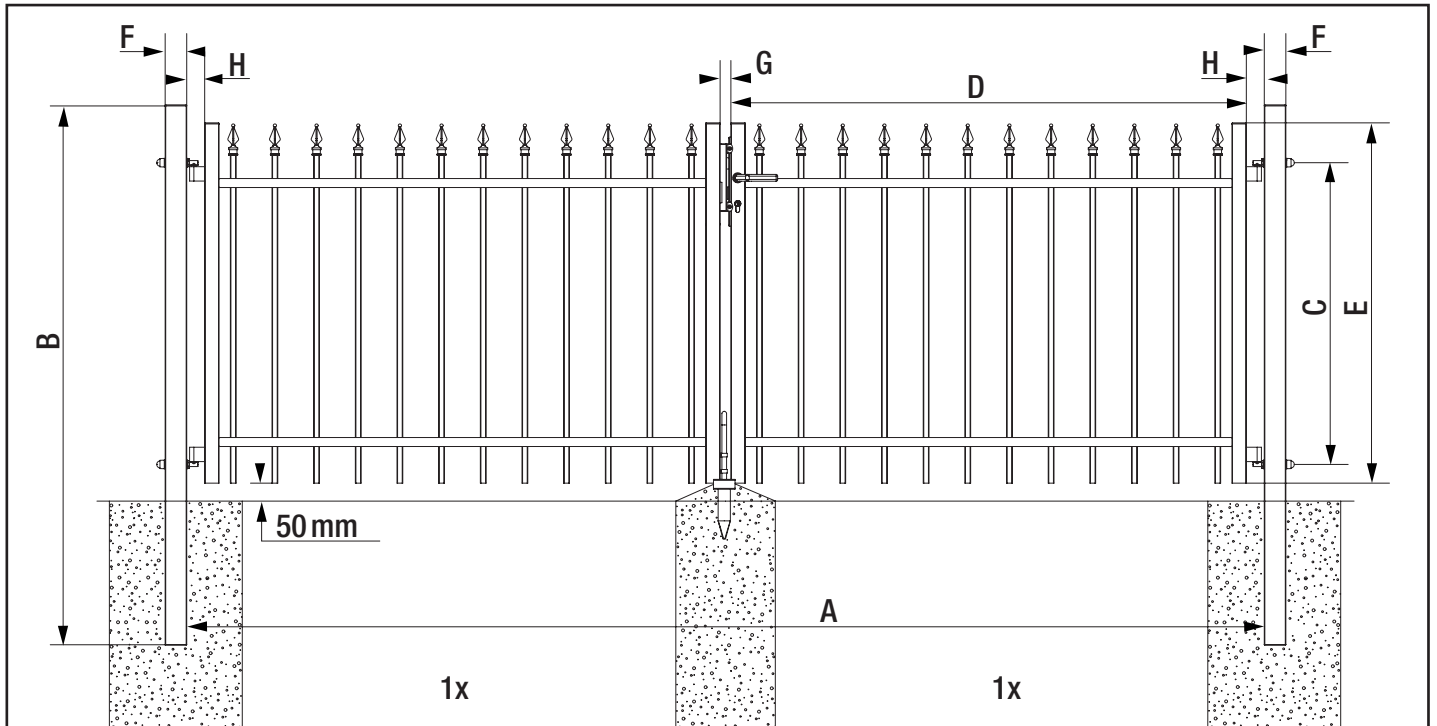


7.1

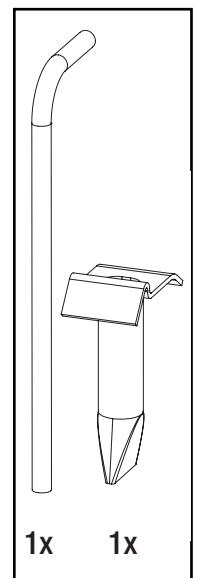
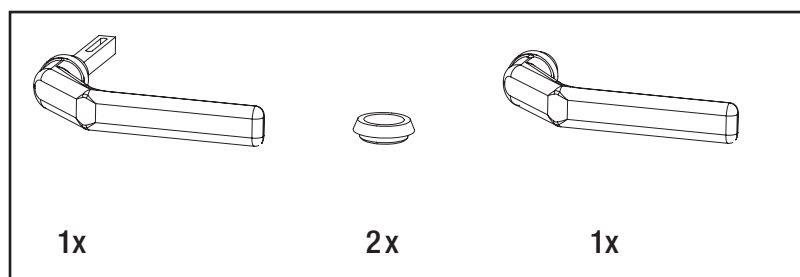
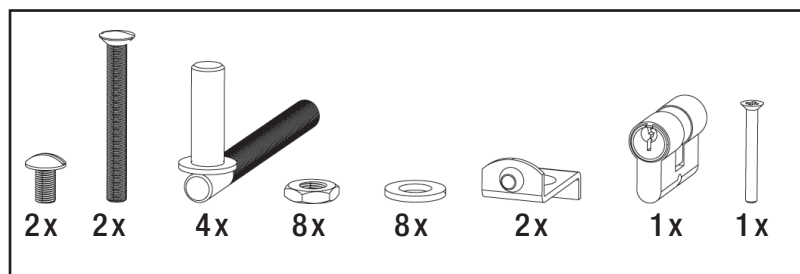
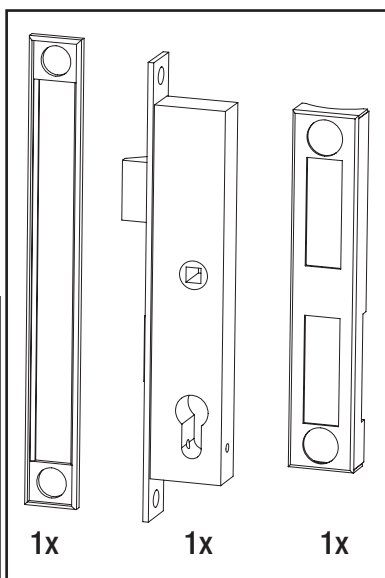




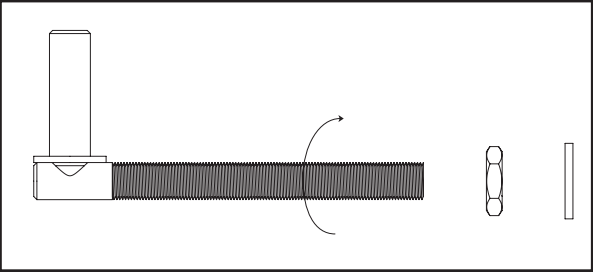




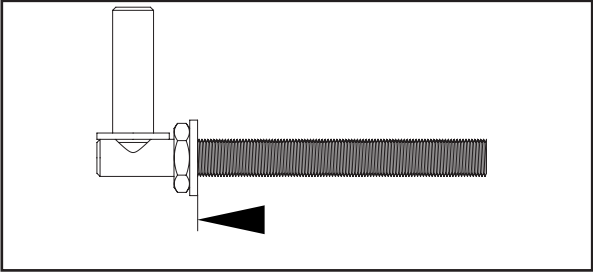
	Chaussee	Circle
A (mm)	3010	3010
B (mm)	1500/1700	1500/1700
C (mm)	840/1040	840/1040
D (mm)	1435	1435
E (mm)	1000/1200	1000/1200
F (mm)	89	89
G (mm)	35	35
H (mm)	50	50



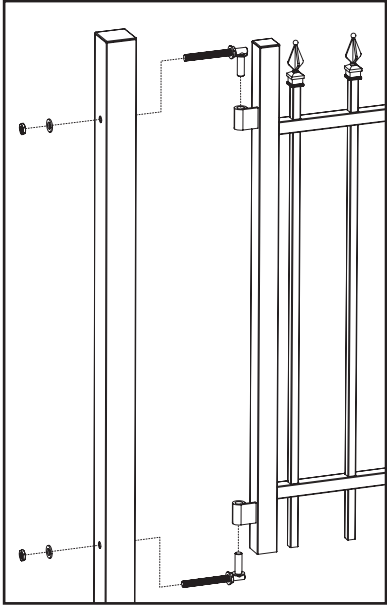
1.1



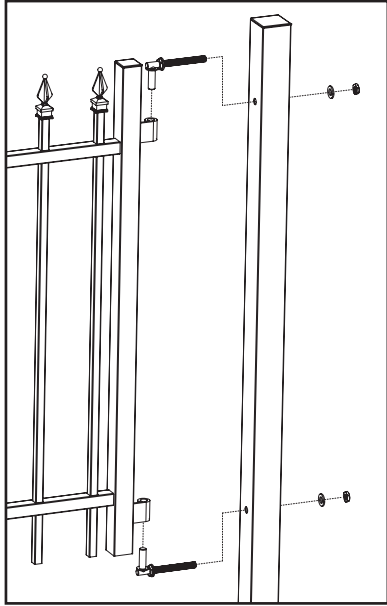
1.2



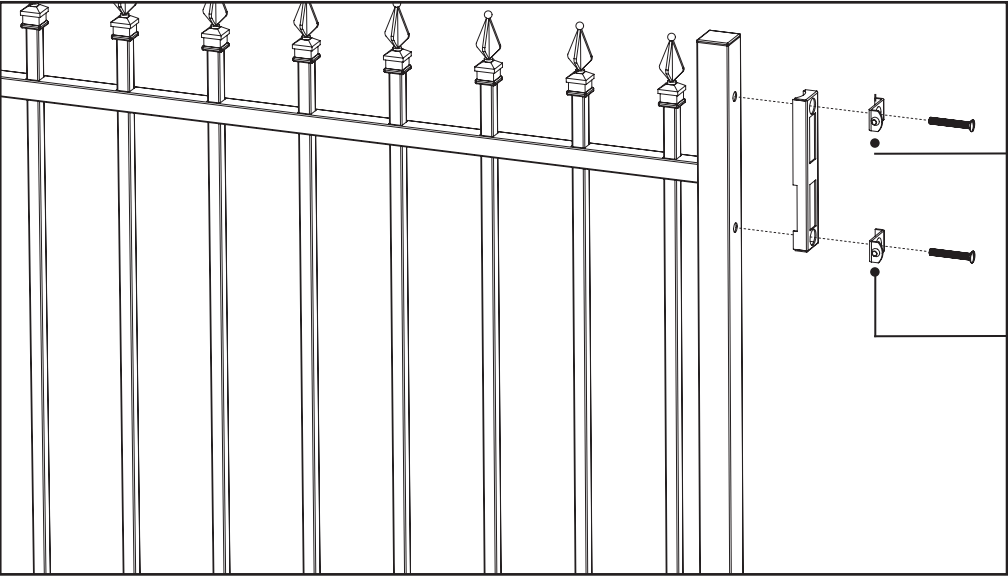
1.3



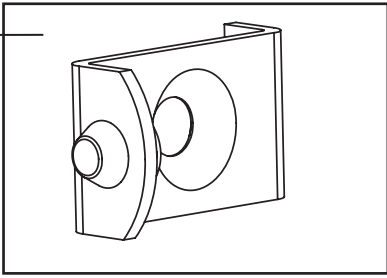
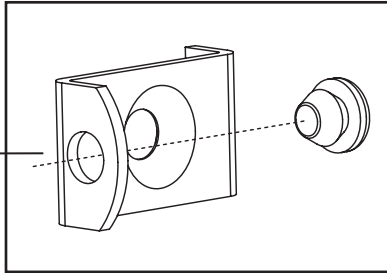
1.4



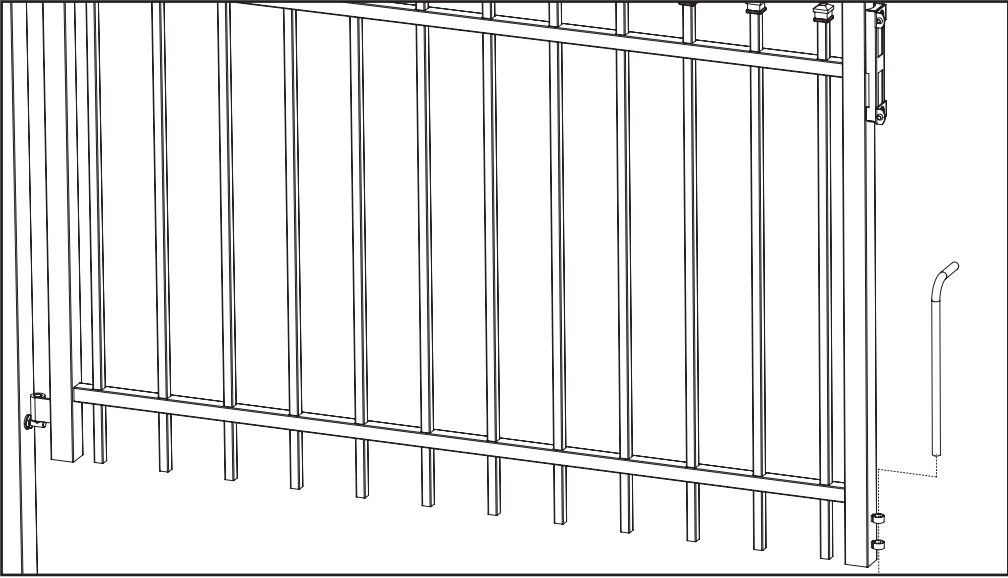
2.2



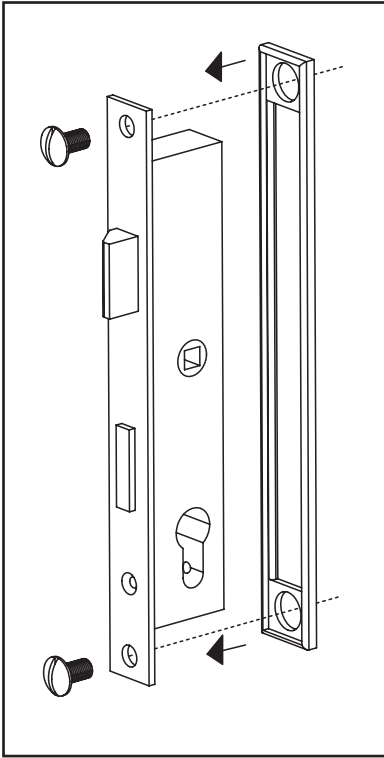
2.1



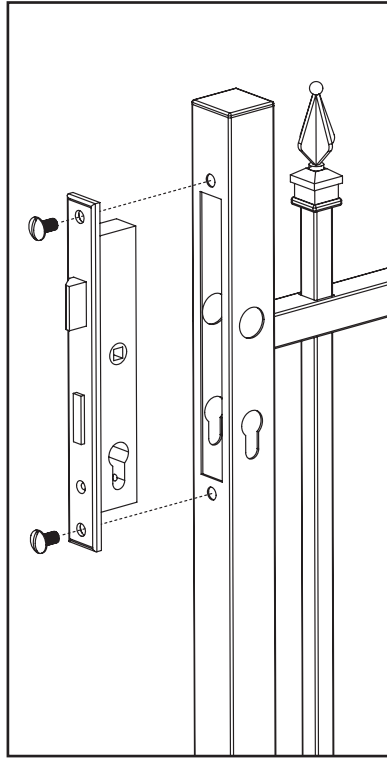
2.3



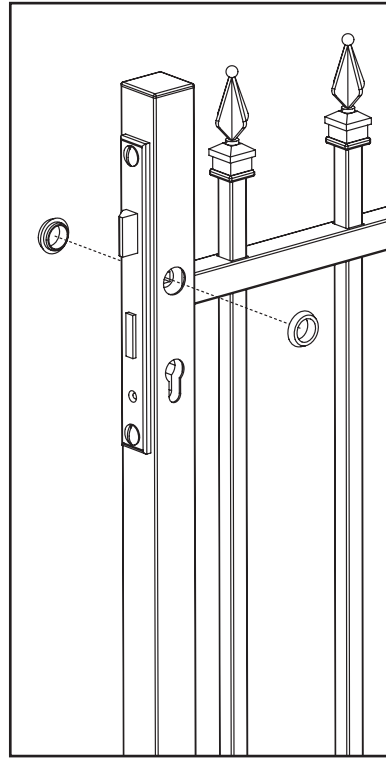
3.1



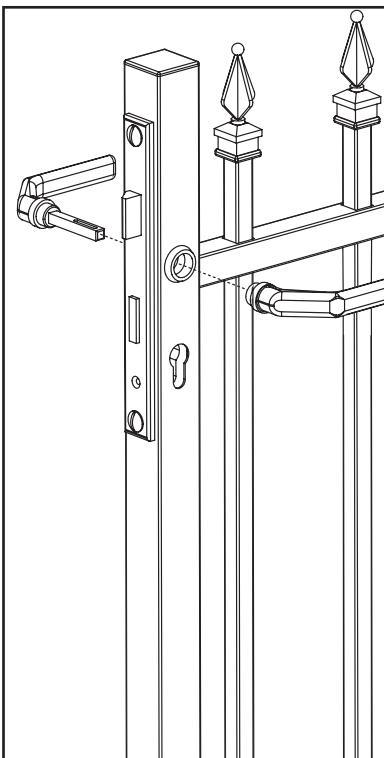
3.2



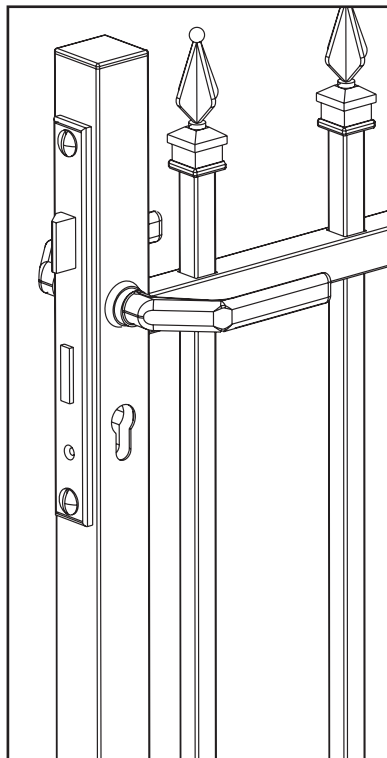
3.3



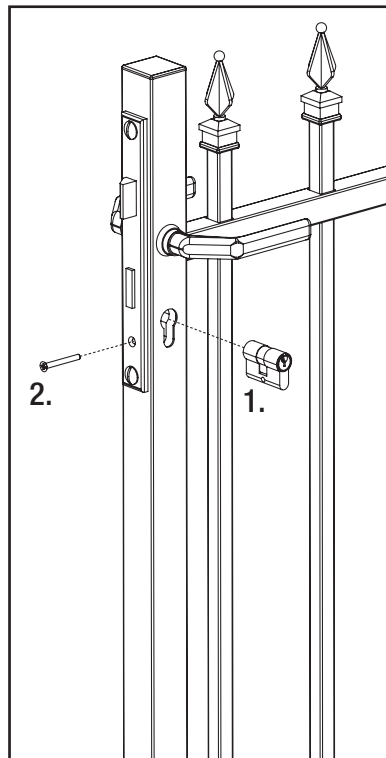
3.4

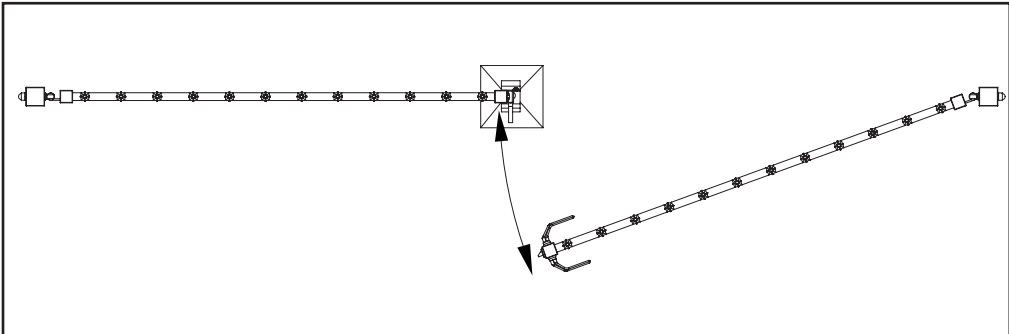
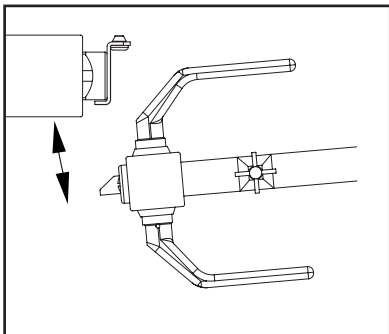
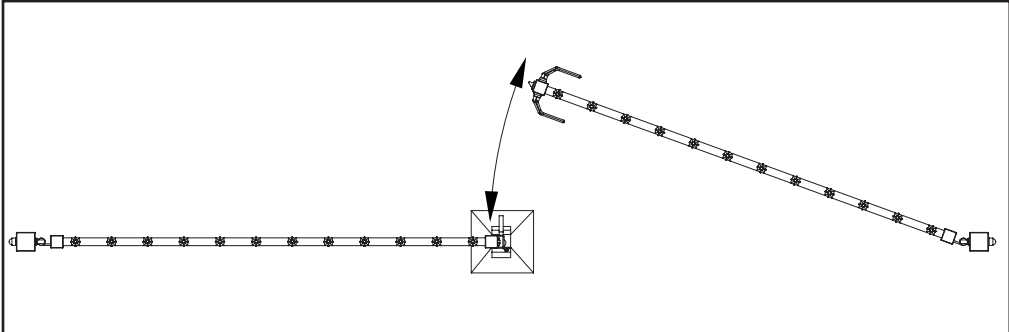
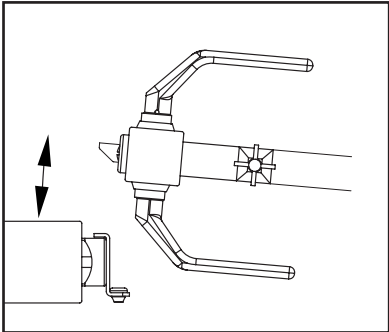


3.5

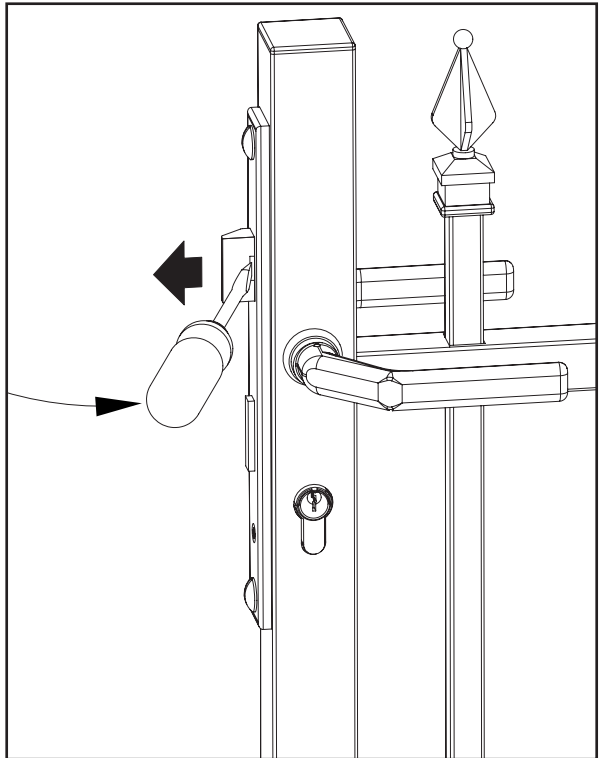


3.6

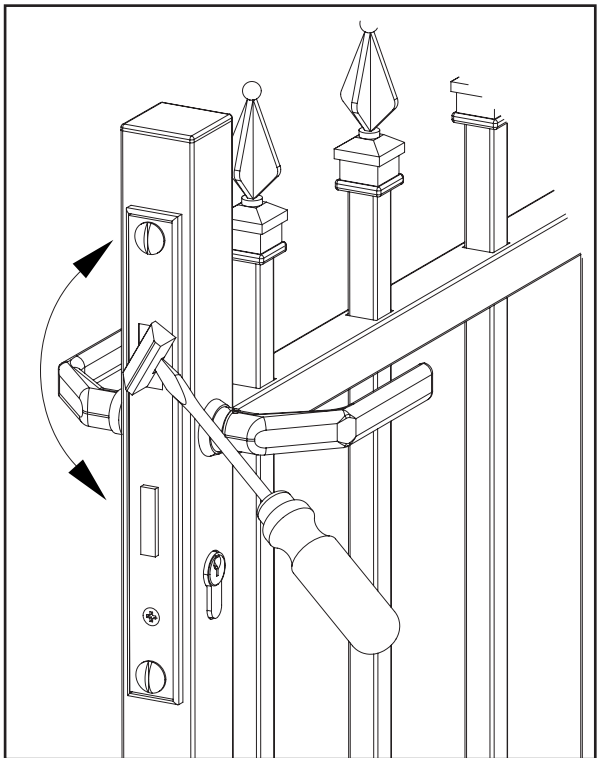




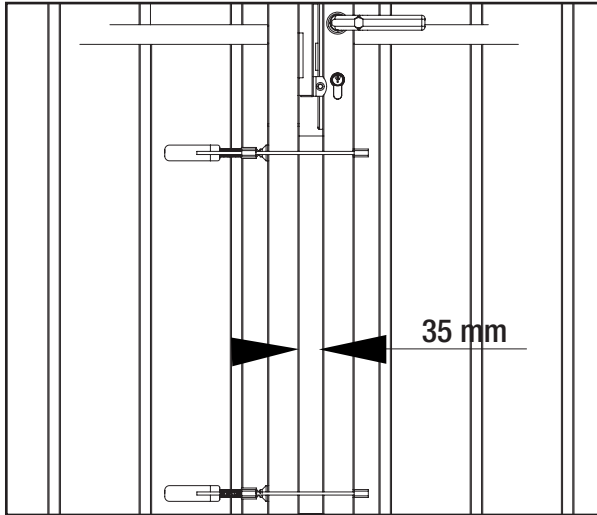
3.7



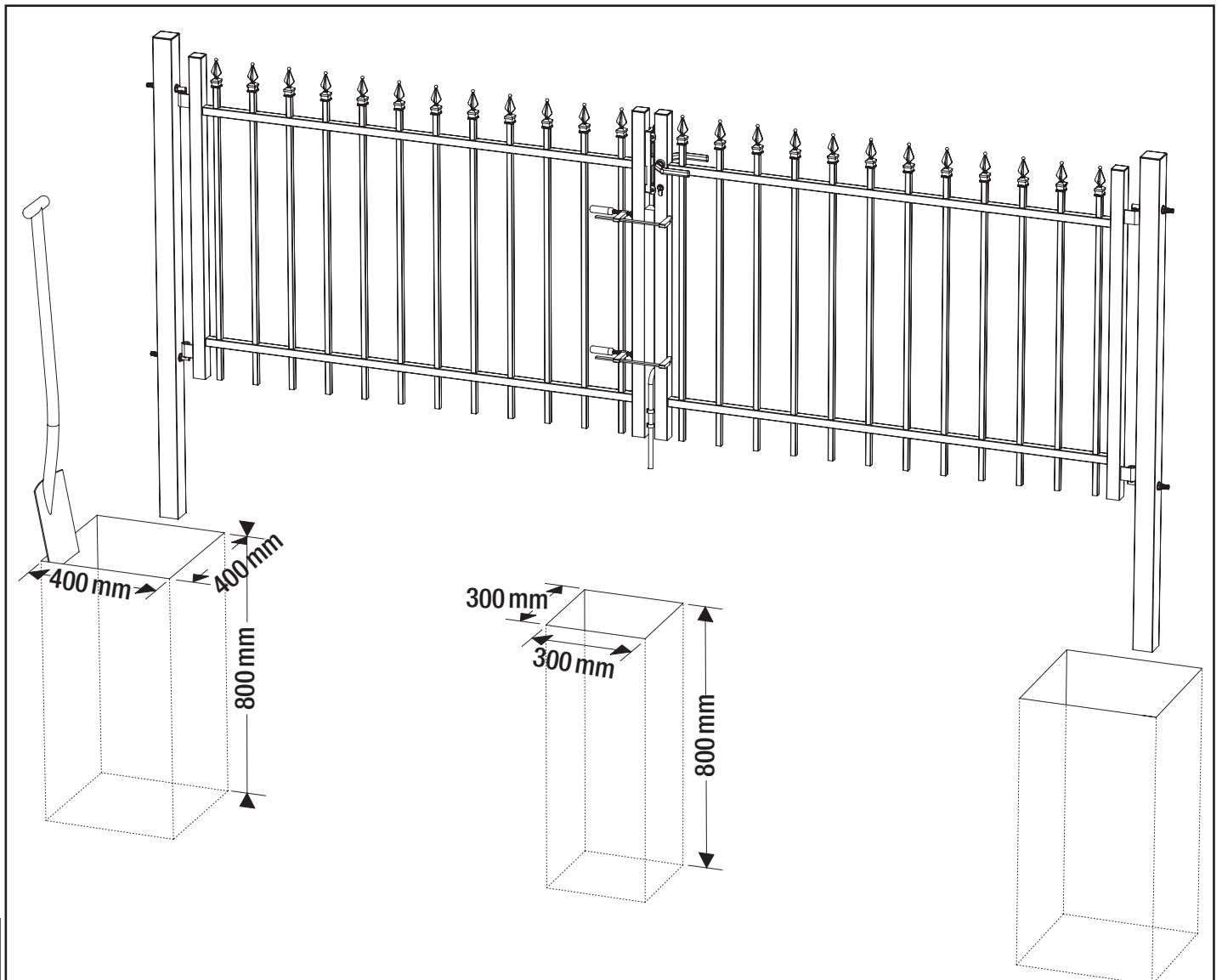
3.8



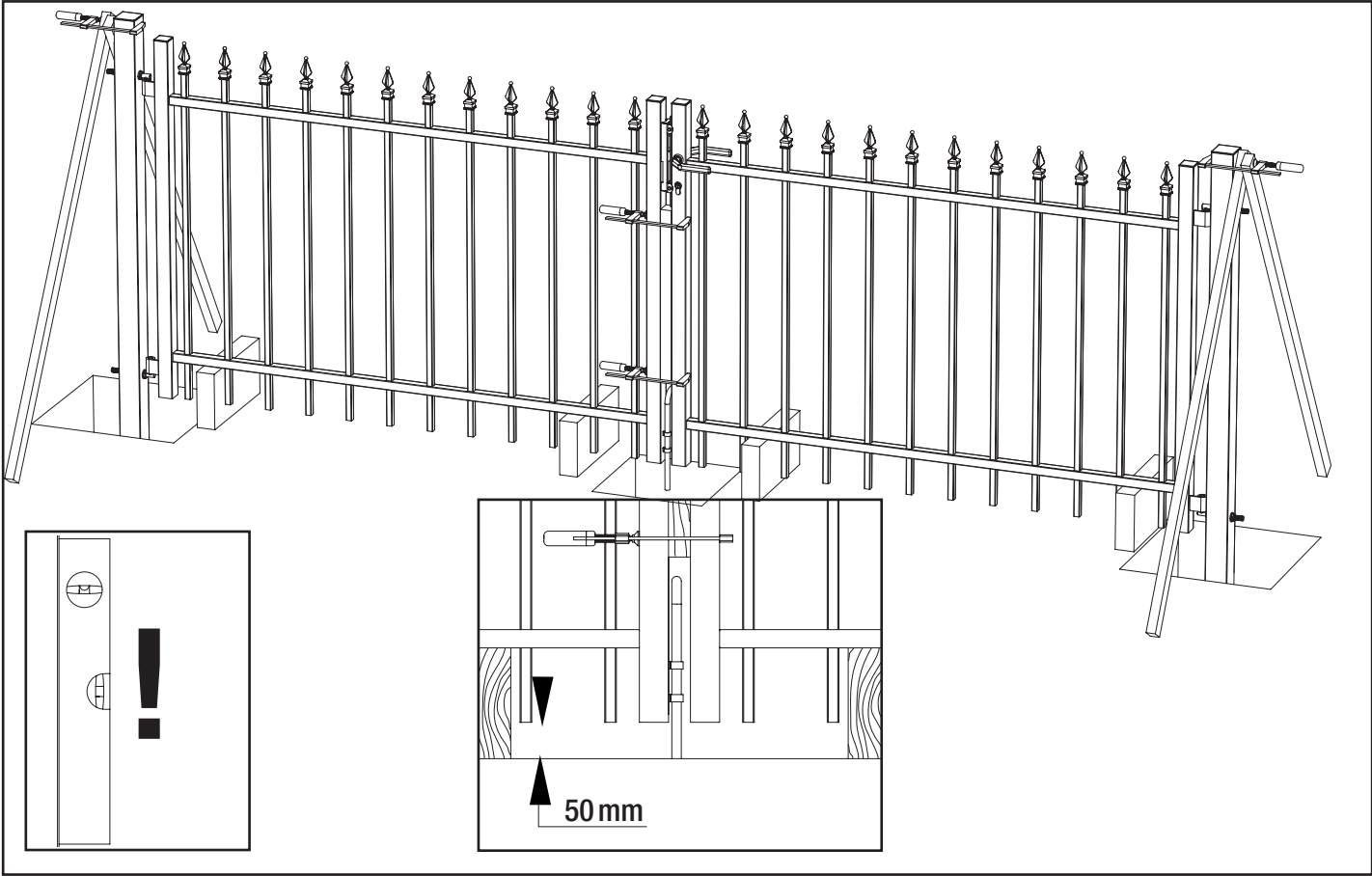
4.1



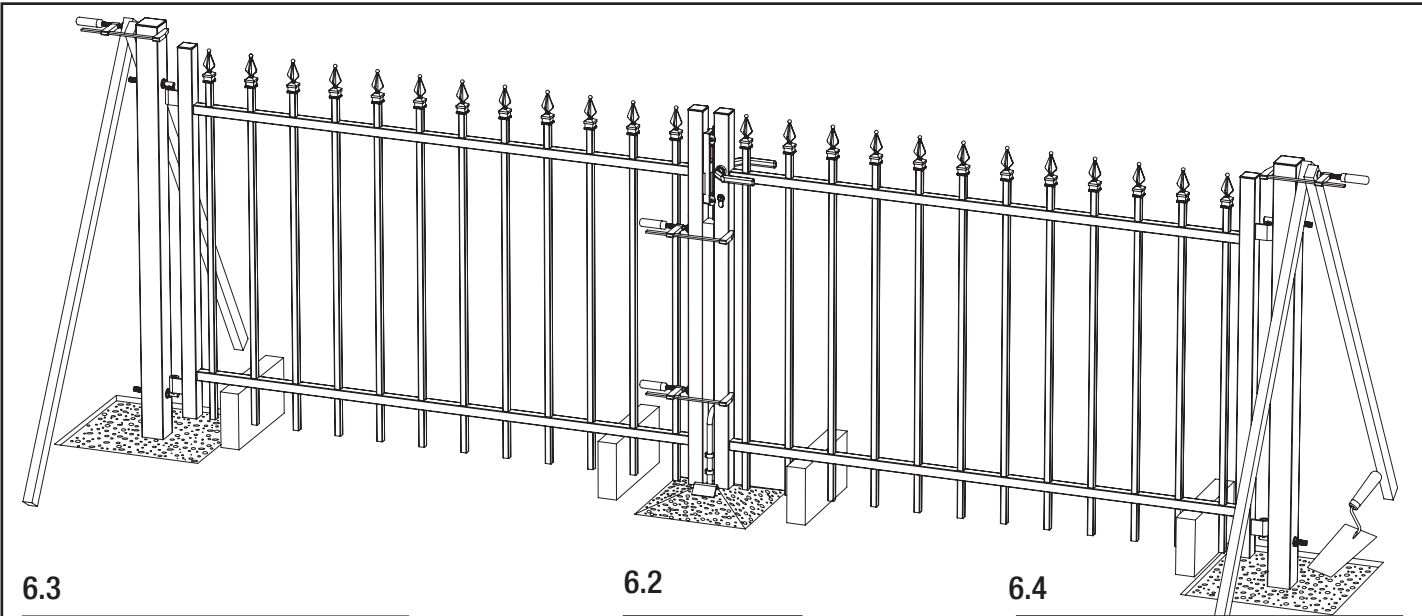
4.2



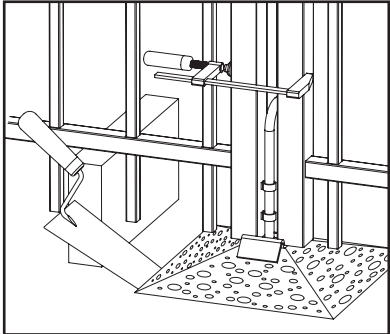
5.1



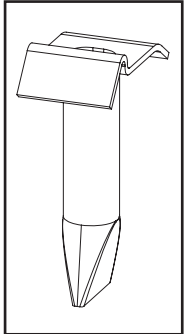
6.1



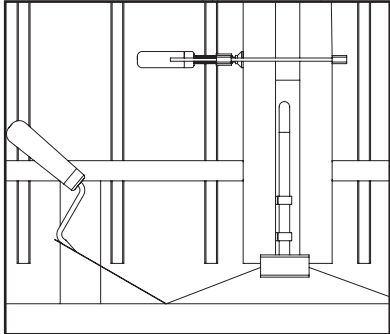
6.3



6.2



6.4



7.1

