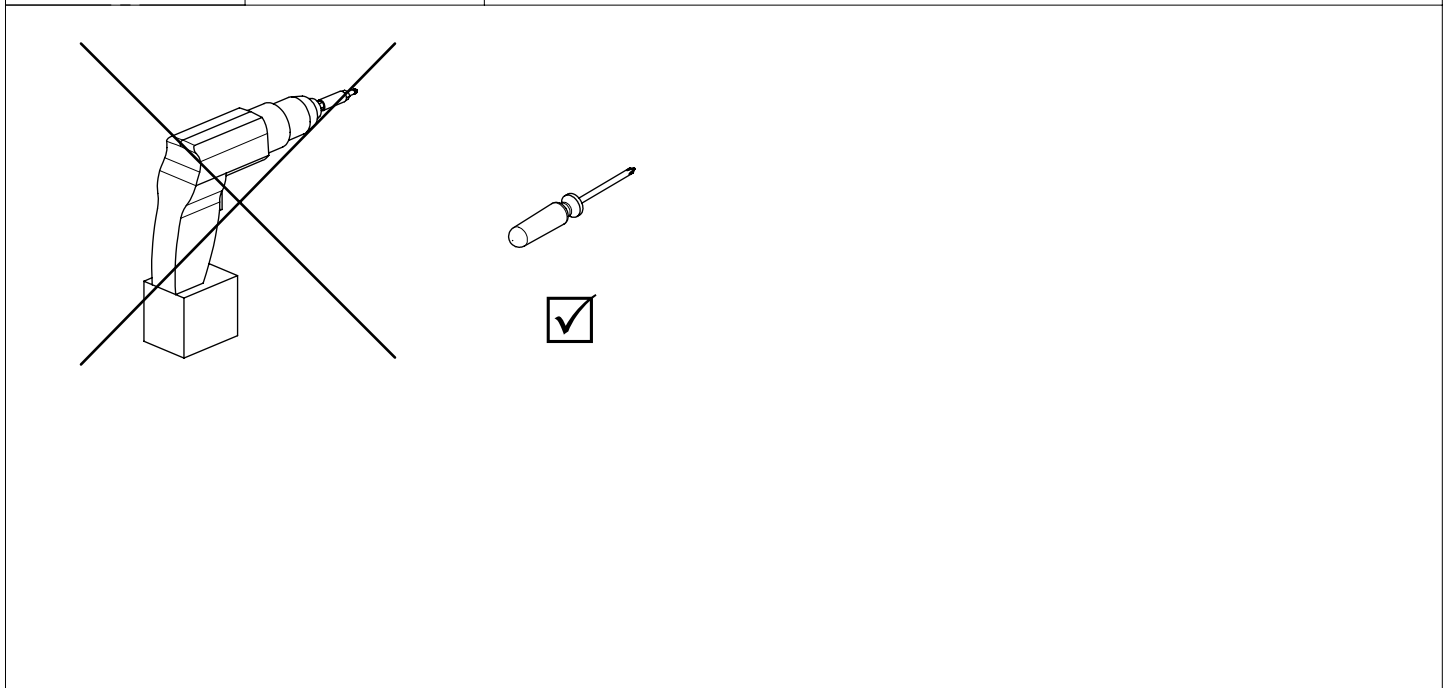
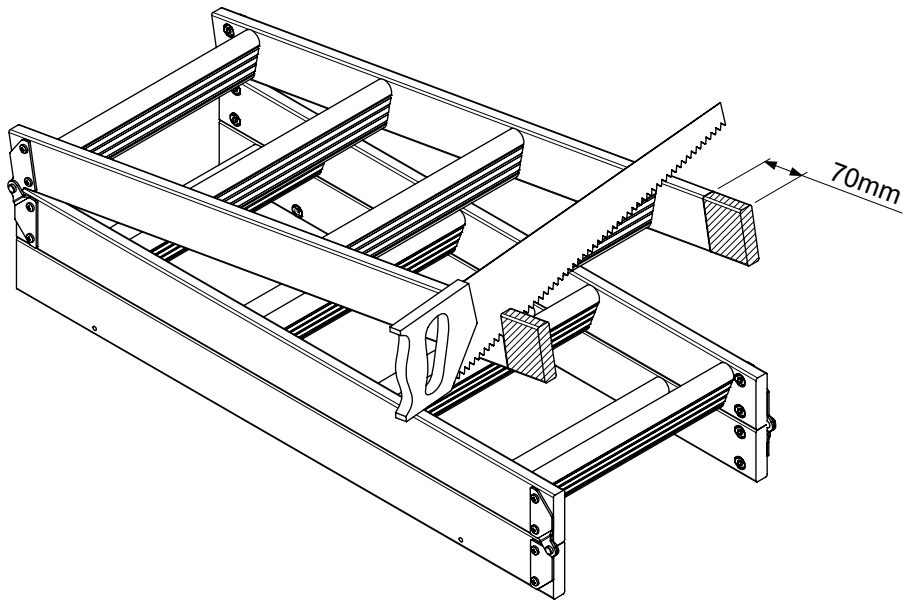


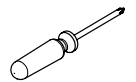
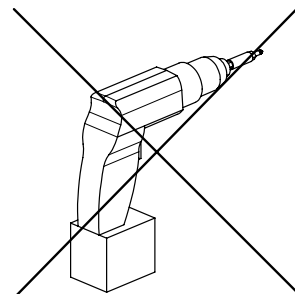
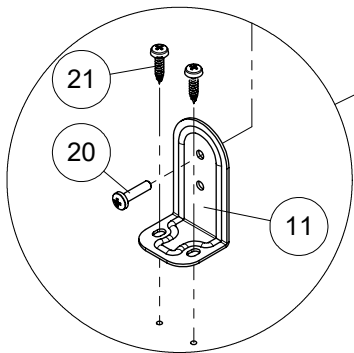
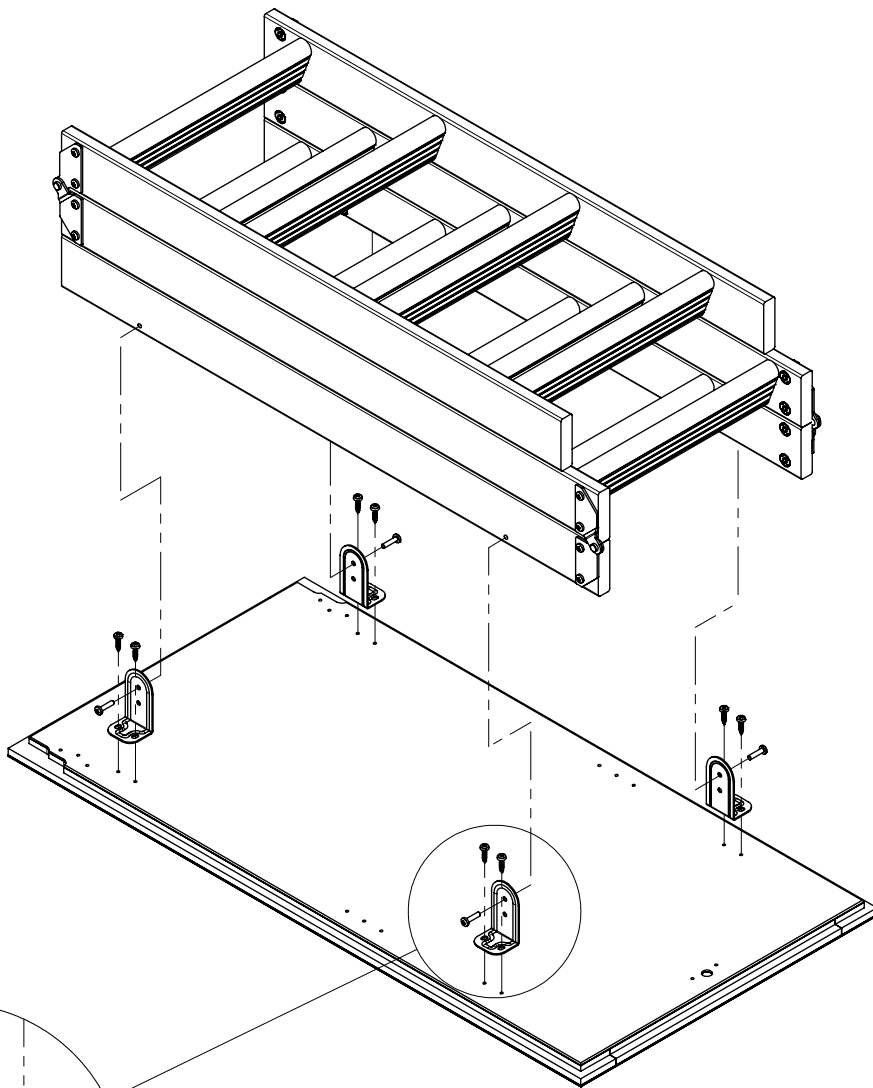
<p>10</p> <p>× 1 C2-11031</p> <p>× 1 C2-11030</p>	<p>11</p> <p>× 4 C1-09060</p>	<p>12</p> <p>× 1 R1-63106</p>	<p>13</p> <p>× 1 K1-22920</p>	<p>14</p> <p>× 1 K2-22925</p>
<p>17</p> <p>× 4 R1-61215</p>		<p>15</p> <p>× 1 R1-60104</p> <p>16</p> <p>× 2 R1-61411</p> <p>18</p> <p>× 2 C2-10203</p> <div style="display: flex; justify-content: space-around;"> <div data-bbox="790 763 1029 992"> <p>18.1</p> <p>× 2 K1-03030</p> </div> <div data-bbox="1029 763 1268 992"> <p>18.2</p> <p>× 2 K3-04005 Ø6</p> </div> <div data-bbox="1268 763 1527 992"> <p>18.3</p> <p>× 2 K3-01020 M6 x 30</p> </div> </div>		
<p>20</p> <p>× 12 R1-63119 M6 x 20</p>	<p>21</p> <p>× 22 R1-63272 Ø6 x 25</p>	<p>22</p> <p>× 4 R1-63242 Ø3,5 x 45</p>		
<p>28</p> <p>× 1 R1-63216 Ø3,5 x 16</p>	<p>29</p> <p>× 1 K1-22035</p>	<p>30</p> <p>× 1 R1-40980</p>		



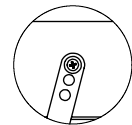
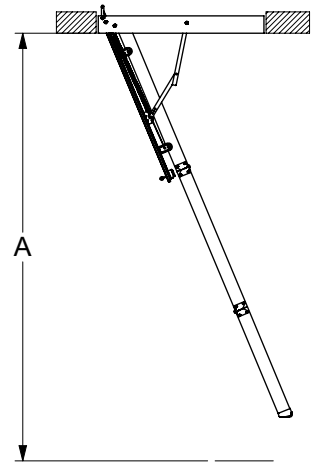
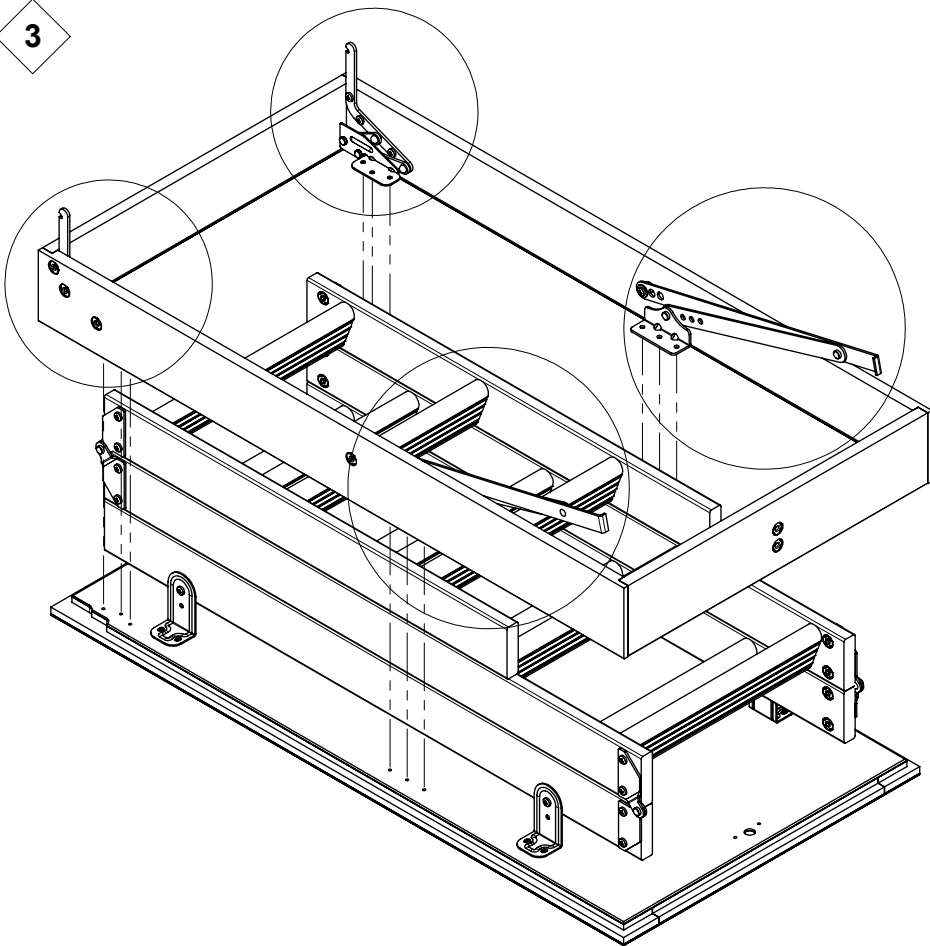
1



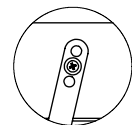
2



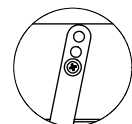
3



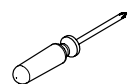
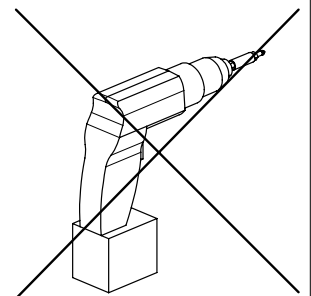
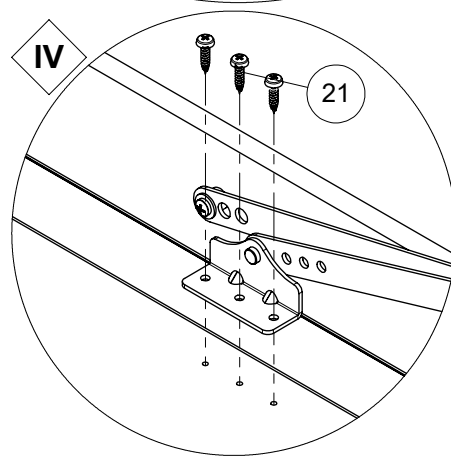
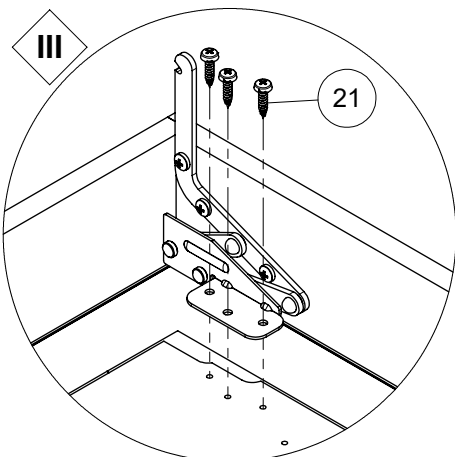
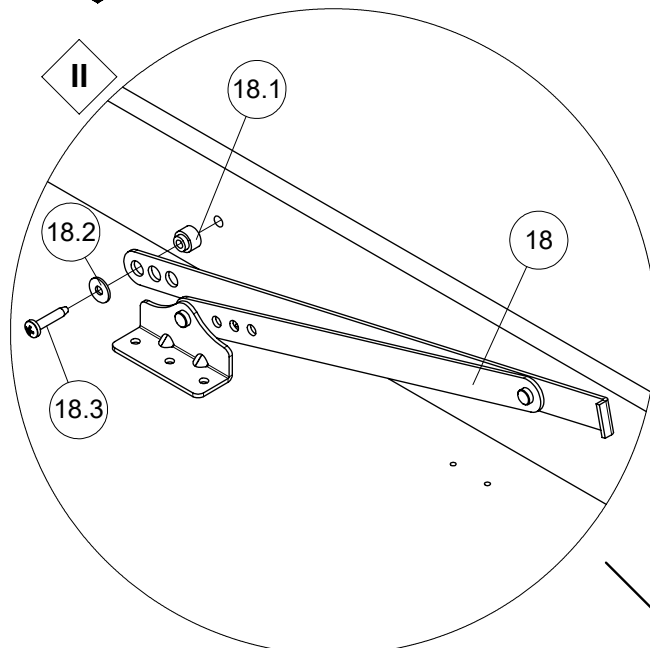
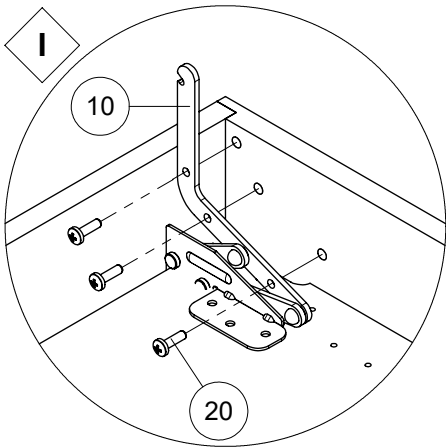
Pos. 1
A

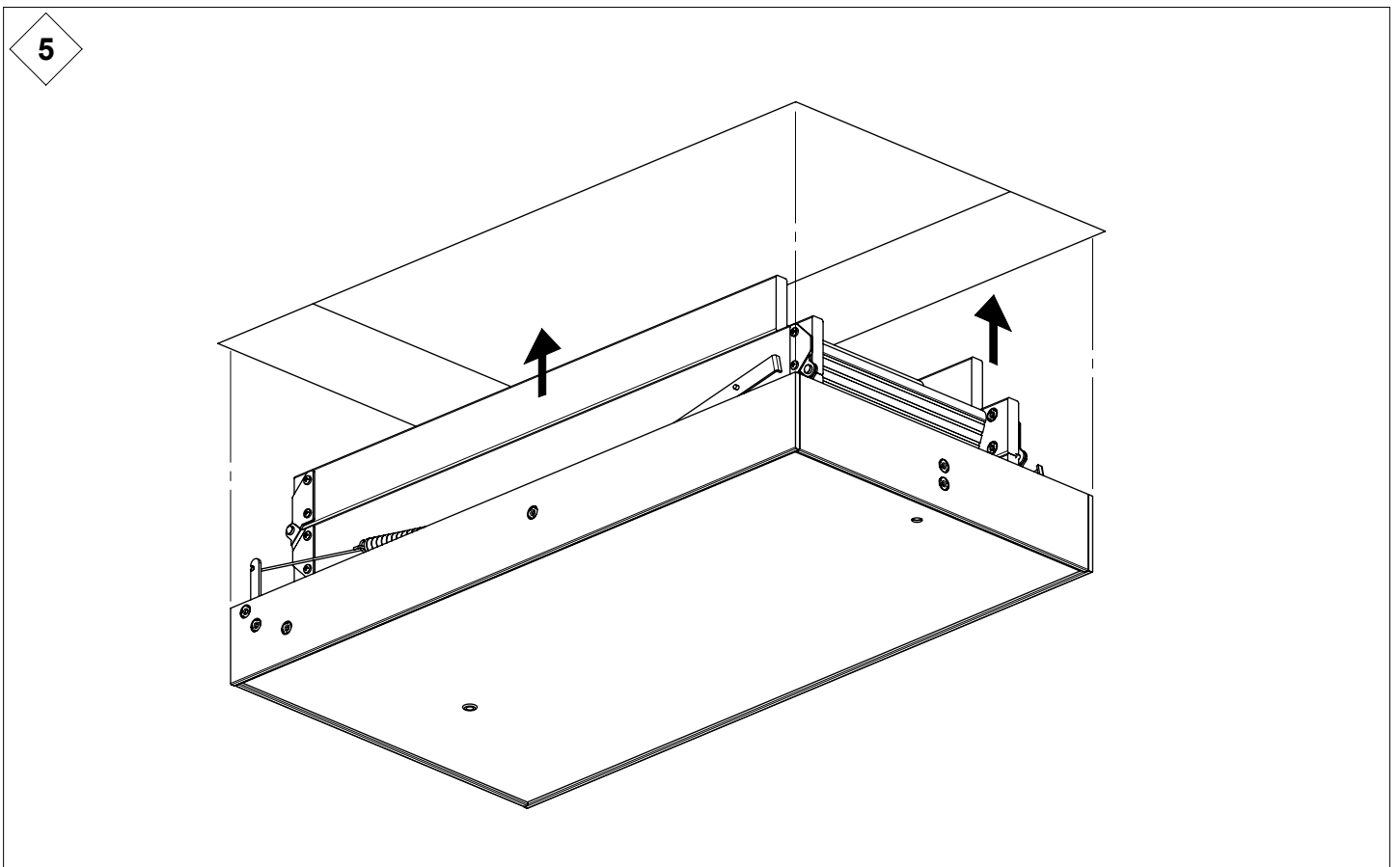
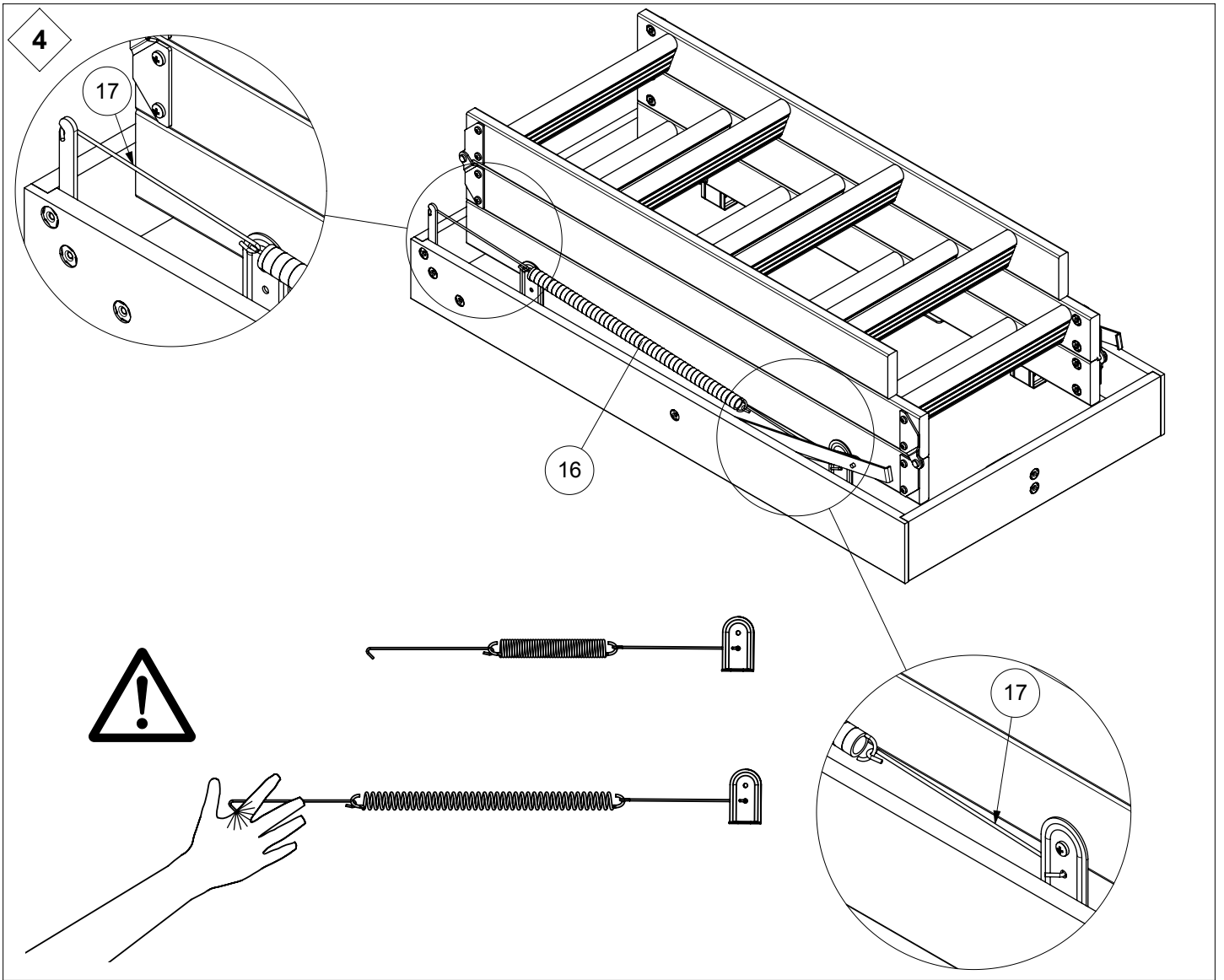


Pos. 2
A + 45 mm

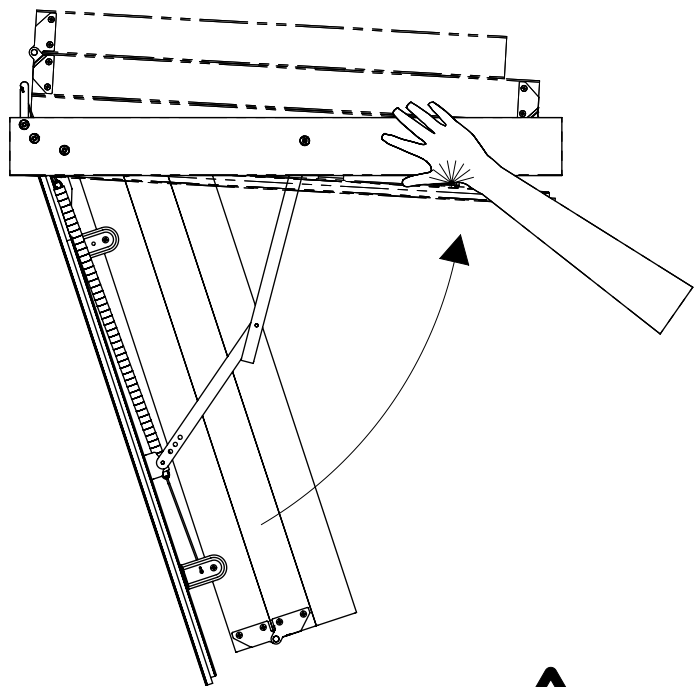
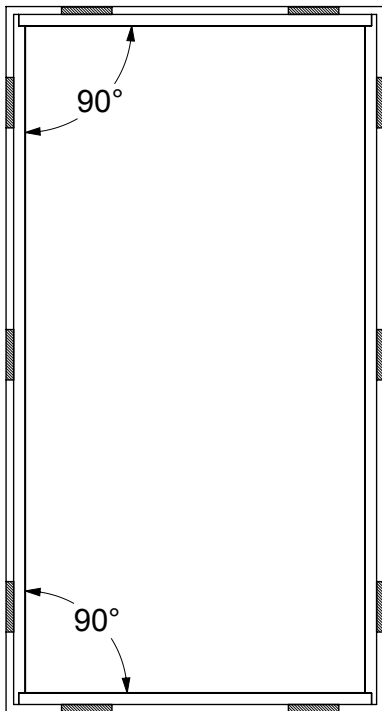
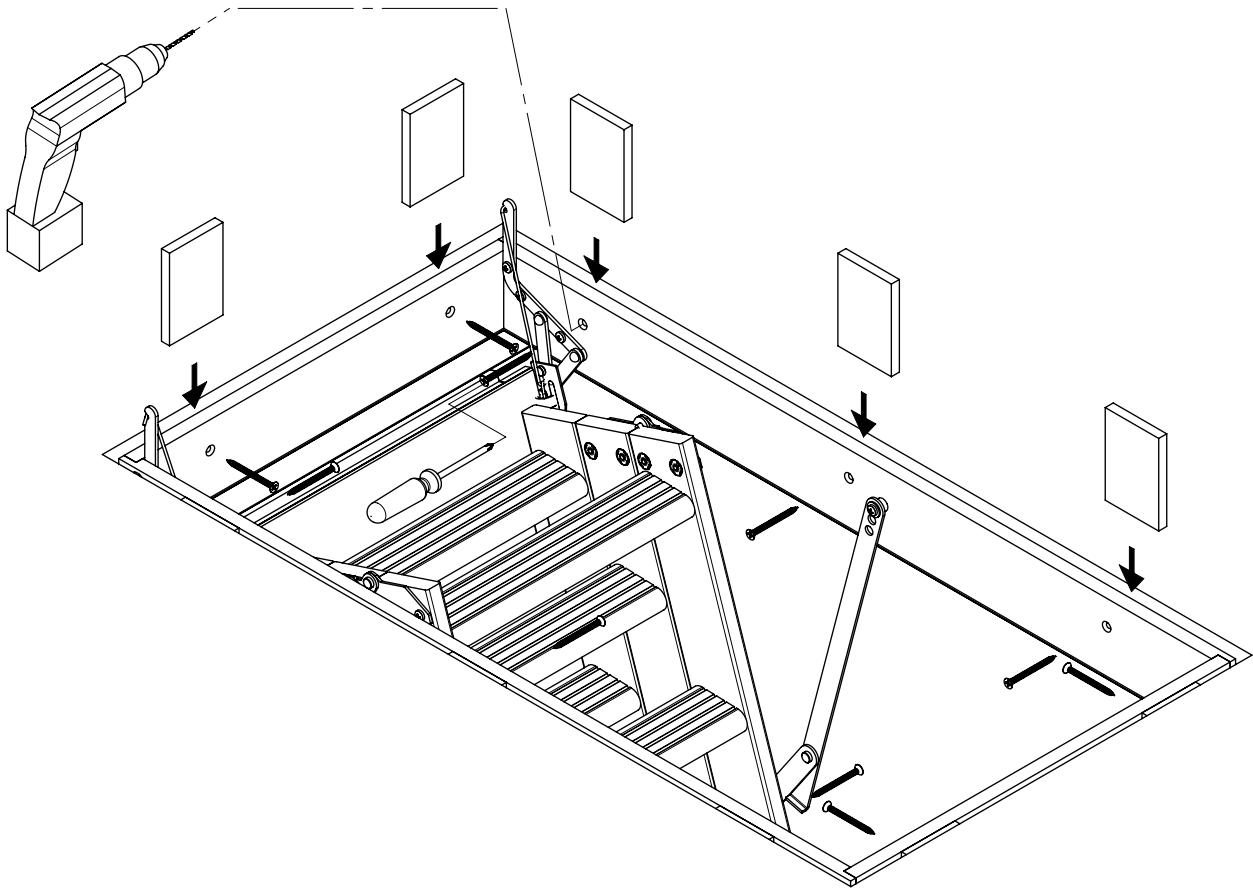


Pos. 3
A + 90 mm

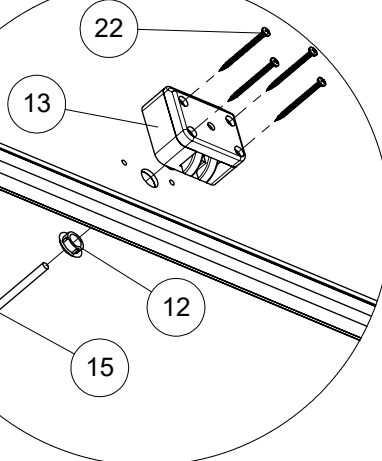
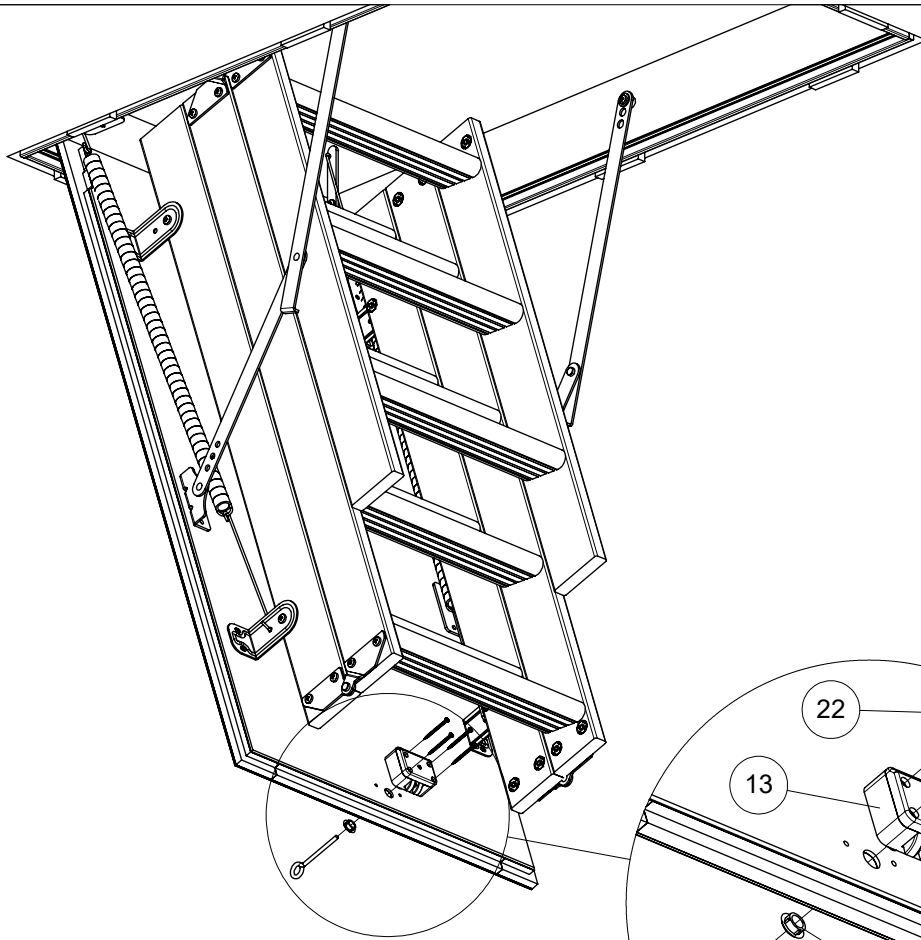




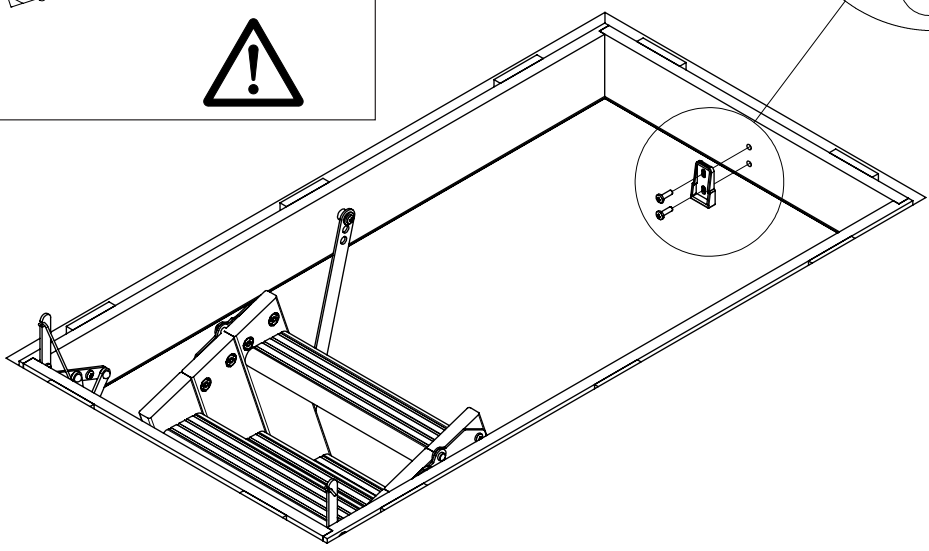
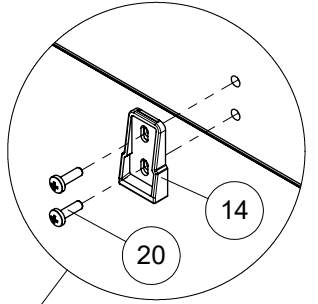
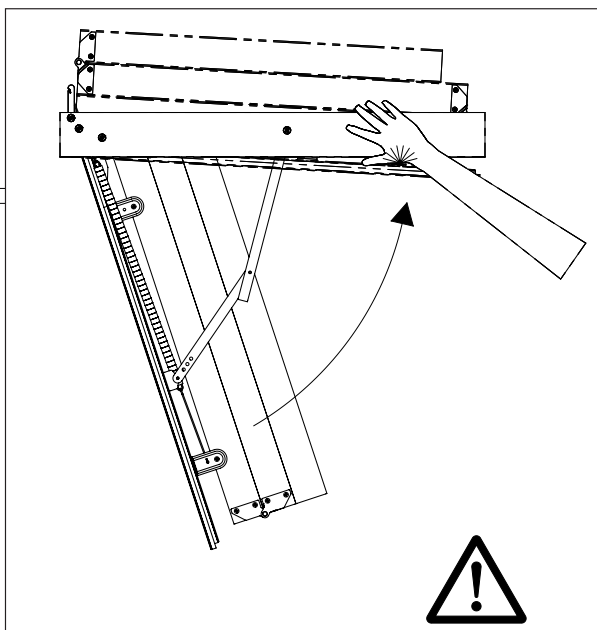
6



7



8



9

