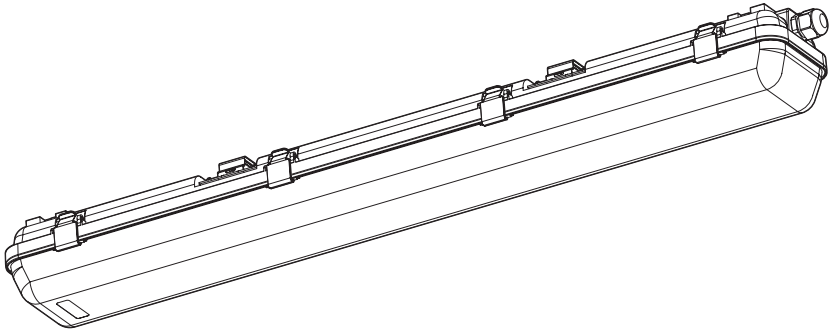

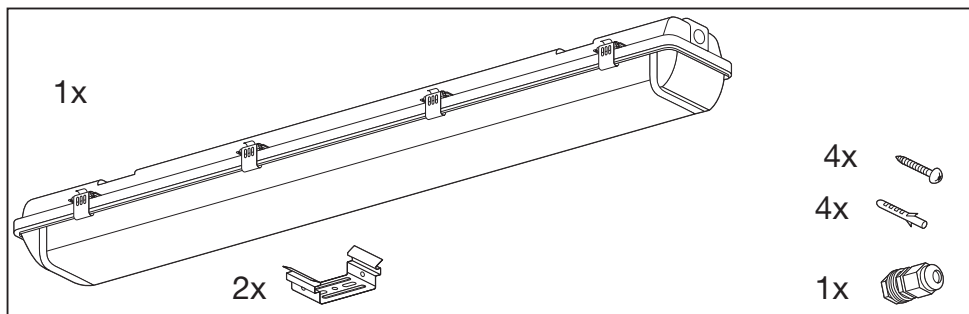

SUBMARINE® SENSOR

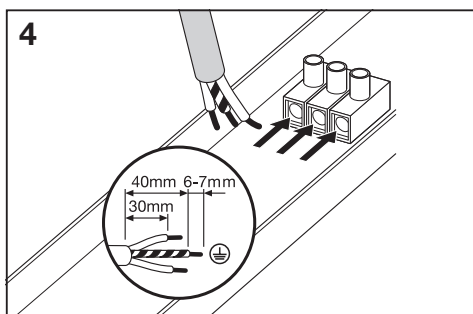
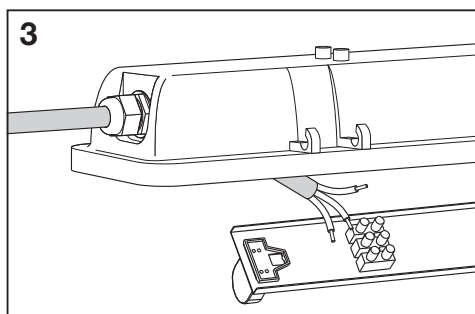
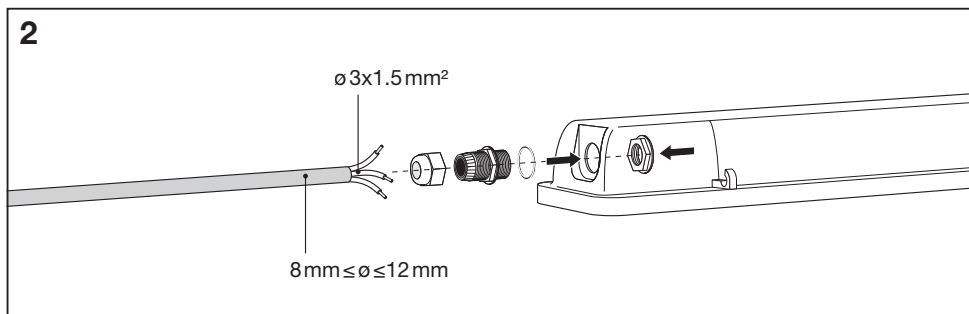
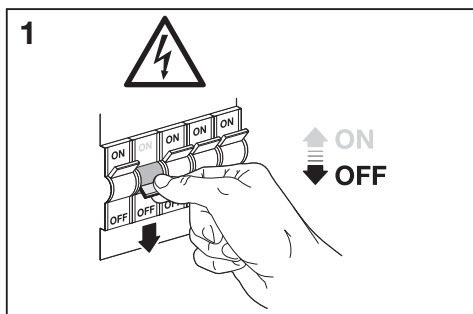


	EAN	W	Lumen module lm	Lumen output lm	K	IP	Temp (°C)	V _{ac}	mA	Hz	DF	
SUBMARINE SEN 60CM 1X8W 840 GR	4058075576377	8	800	650	4000	65	-20...+35	220-240	55	50/60	>0.5	0.65 kg
SUBMARINE SEN 120CM 1X16W 840 GR	4058075576391	16	1800	1600	4000	65	-20...+35	220-240	95	50/60	>0.7	1.1 kg
SUBMARINE SEN 150CM 1X19W 840 GR	4058075576414	19	2200	1900	4000	65	-20...+35	220-240	108	50/60	>0.8	1.34 kg



mm

	L	W	H
SUBMARINE SEN 60CM 1X8W 840 GR	651	67	75
SUBMARINE SEN 120CM 1X16W 840 GR	1261	67	75
SUBMARINE SEN 150CM 1X19W 840 GR	1561	67	75



5

	X (mm)	Y (mm)
SUBMARINE SEN 60CM 1X8W 840 GR	254 +/-35	24 +/- 2
SUBMARINE SEN 120CM 1X16W 840 GR	859 +/-35	24 +/- 2
SUBMARINE SEN 150CM 1X19W 840 GR	1134 +/-35	24 +/- 2

6

7

“click”

90°

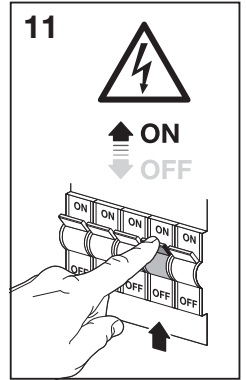
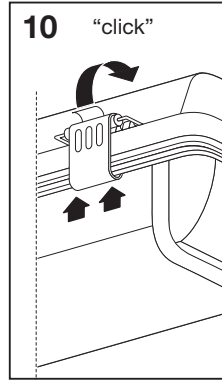
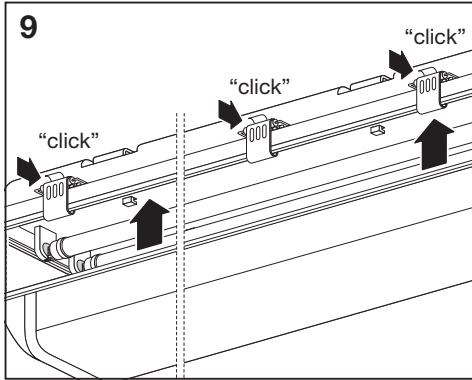
b

8

T8 (18W, 36W, 58W)
G13 LED only

90°

	220-240 V / 50/60 Hz
SUBMARINE SEN 60CM 1X8W 840 GR	1xST8SP-0.6m-8W-840-EM(SubstiTUBE® STAR 0.6)
SUBMARINE SEN 120CM 1X16W 840 GR	1xST8SP-1.2m-16W-840-EM(SubstiTUBE® STAR 1.2)
SUBMARINE SEN 150CM 1X19W 840 GR	1xST8SP-1.5m-19W-840-EM(SubstiTUBE® STAR 1.5)



	EAN	This product contains a light source of energy efficiency class	Contained Light Source
SUBMARINE SEN 60CM 1X8W 840 GR	4058075576377	E	
SUBMARINE SEN 120CM 1X16W 840 GR	4058075576391	E	
SUBMARINE SEN 150CM 1X19W 840 GR	4058075576414	E	



C10449057
G11120857
23.09.2021



LEDVANCE GmbH
Steinerne Furt 62
86167 Augsburg, Germany
www.ledvance.com