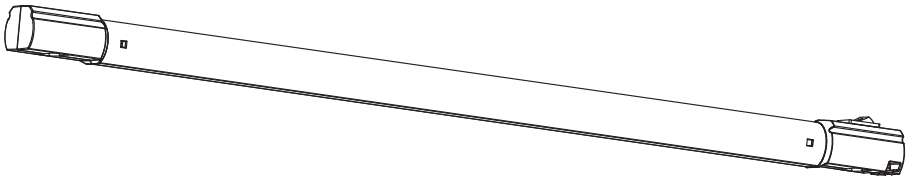


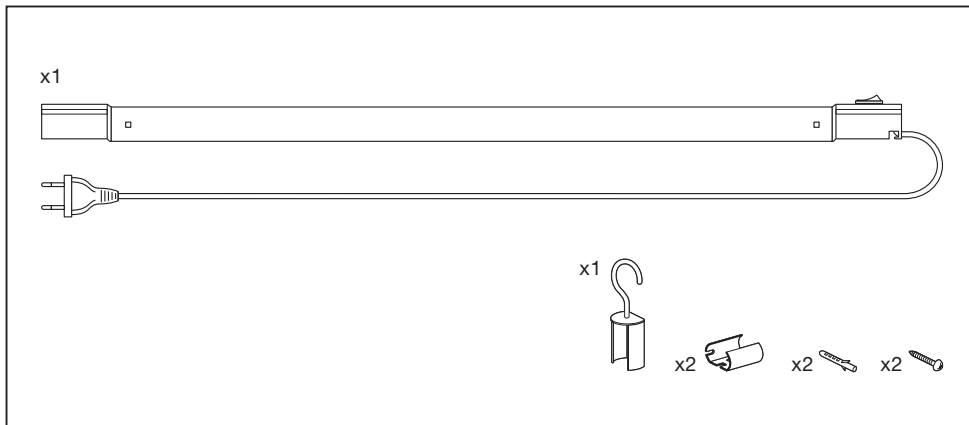
---

**TUBEKIT® LED**


---



	EAN	W	lm	K	°C	V <sub>ac</sub>	mA	Hz	PF	👤
<b>TUBEKITLED06 8.9W/830 230V G5</b>	4058075264991	8.9	900	3000	-20...+40	220-240	42	50/60	>0.9	200 g
<b>TUBEKITLED06 8.9W/840 230V G5</b>	4058075265011	8.9	990	4000	-20...+40	220-240	42	50/60	>0.9	200 g
<b>TUBEKITLED12 19W/830 230V G5</b>	4058075265035	19	1900	3000	-20...+40	220-240	82	50/60	>0.9	280 g
<b>TUBEKITLED12 19W/840 230V G5</b>	4058075265059	19	2090	4000	-20...+40	220-240	82	50/60	>0.9	280 g
<b>TUBEKITLED15 21,5W/830 230V G5</b>	4058075265073	21.5	2150	3000	-20...+40	220-240	92	50/60	>0.9	320 g
<b>TUBEKITLED15 21,5W/840 230V G5</b>	4058075265097	21.5	2365	4000	-20...+40	220-240	92	50/60	>0.9	320 g



mm

1800 mm

41.9 mm

113.5 mm

1 x

28 mm

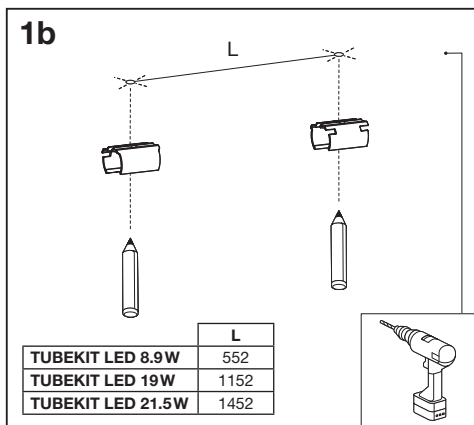
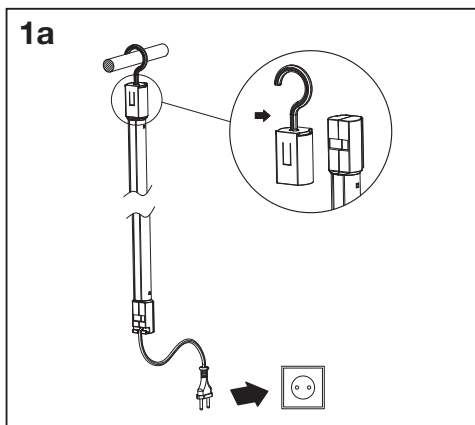
35 mm

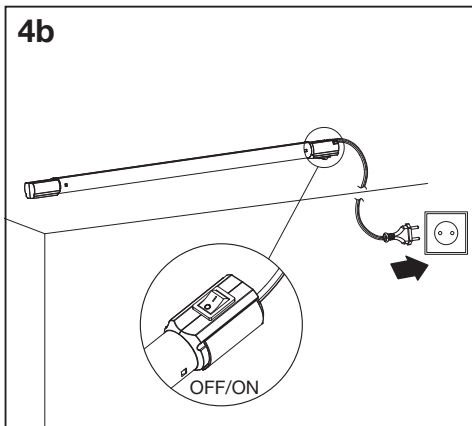
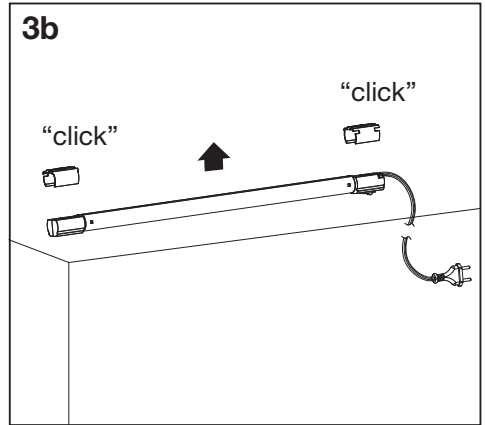
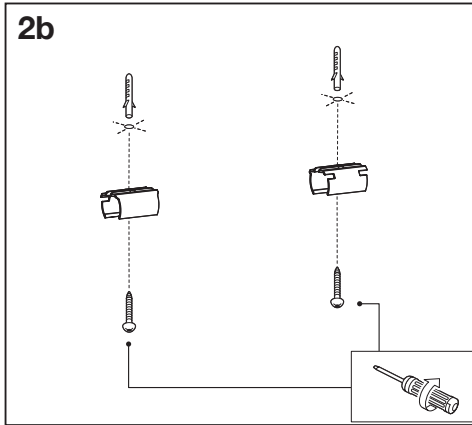
48 mm







2 x

26 mm

	L	W	H
TUBEKIT LED 8.9W	600	32	33.5
TUBEKIT LED 19W	1200	32	33.5
TUBEKIT LED 21.5W	1500	32	33.5





	EAN	This product contains a light source of energy efficiency class	Contained Light Source
TUBEKITLED06 8.9W/830 230V G5	4058075264991	E	
TUBEKITLED06 8.9W/840 230V G5	4058075265011	E	
TUBEKITLED12 19W/830 230V G5	4058075265035	E	
TUBEKITLED12 19W/840 230V G5	4058075265059	E	
TUBEKITLED15 21,5W/830 230V G5	4058075265073	E	
TUBEKITLED15 21,5W/840 230V G5	4058075265097	E	



C10449057  
G11124145  
25.06.2021



LEDVANCE GmbH  
Steinerne Furt 62  
86167 Augsburg, Germany  
[www.ledvance.com](http://www.ledvance.com)