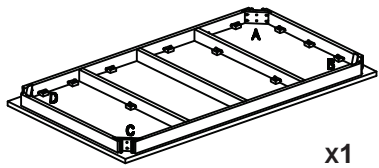


ASSEMBLY INSTRUCTIONS



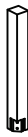
x1



x1



x1

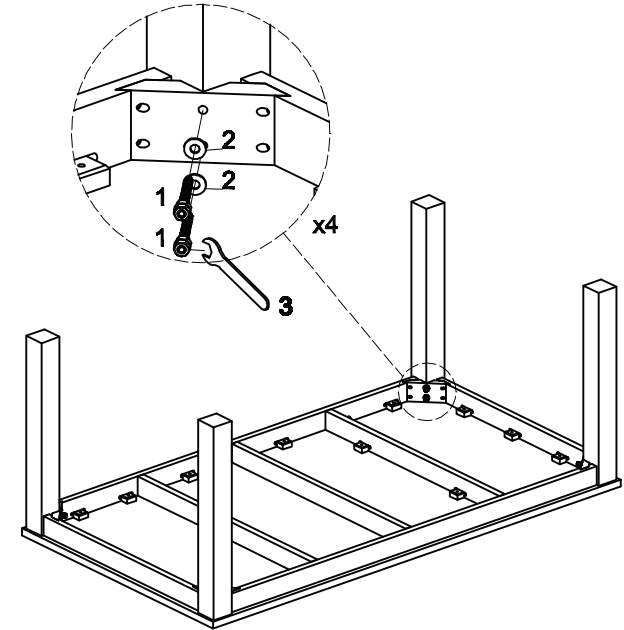
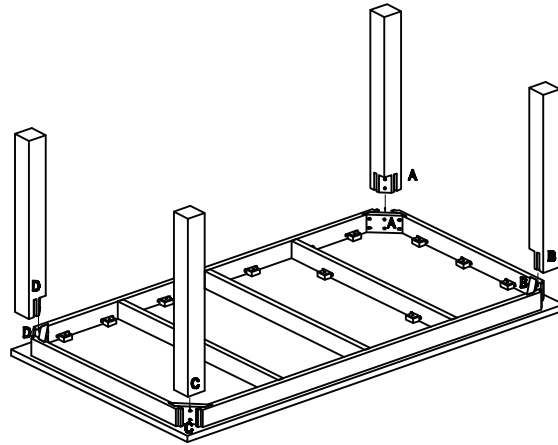


x1

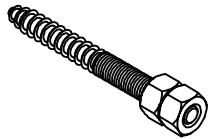


x1

1



1



x8

2



x8

3



x1

2

