

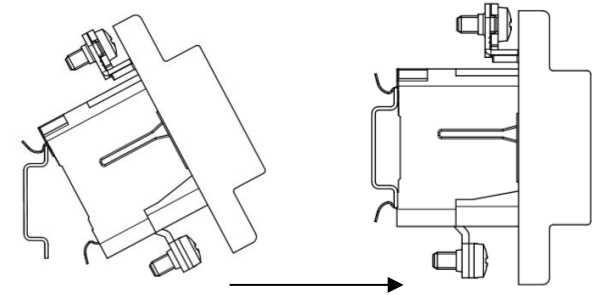
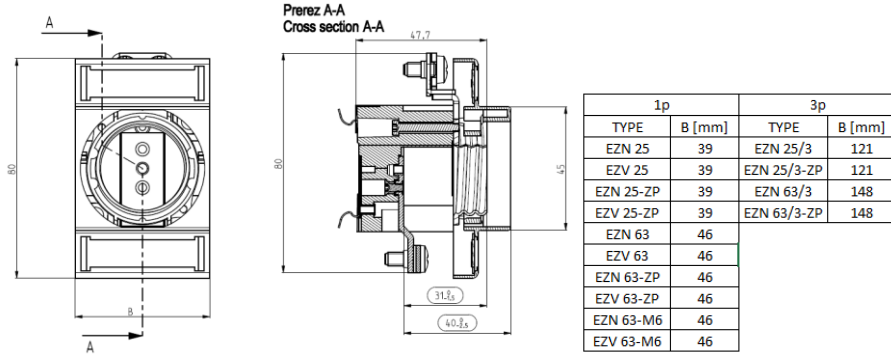
Fuse base D 1p 3p

INSTALLATION INSTRUCTION

Fuse base D 1p 3p

Dimensions [mm]

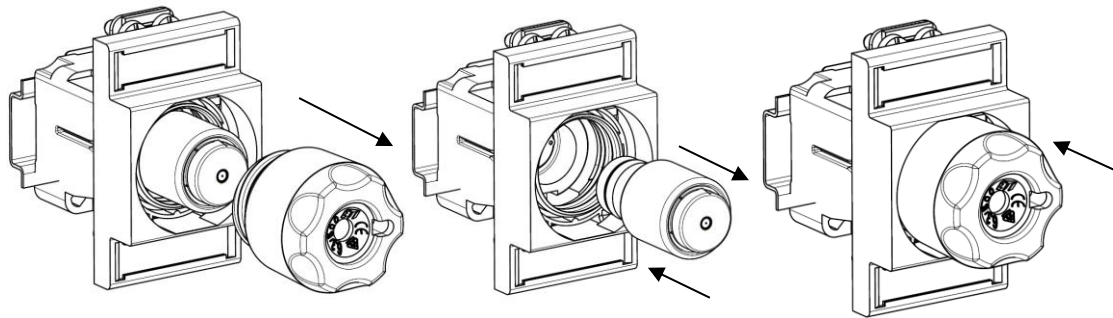
Installation



Snap on DIN

Fuse link replacement

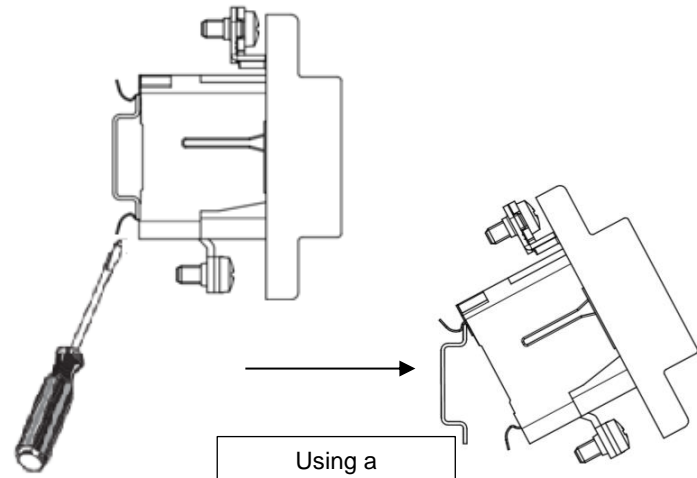
Disassembly



Unscrew the fuse carrier.

Replace the fuse-link.

Screw back the fuse carrier.



Using a screwdriver, pull down on the metal snap-on unit.