



Paulmann

Safety Instructions

1, 2, 3, 4, 5, 6, 10, 11, 13, 19,
22, 23, 24, 25, 26, 33, 34



Info

www.paulmann.com

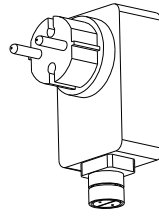
Paulmann Licht GmbH
Quezinger Feld 2
31832 Springe
Germany

www.paulmann.com

Art.-Nr.: 988.48

988.48

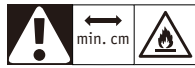
(+MA 326) PSU 05/17



1x

A

Safety Instructions
Nr. 10,11,13



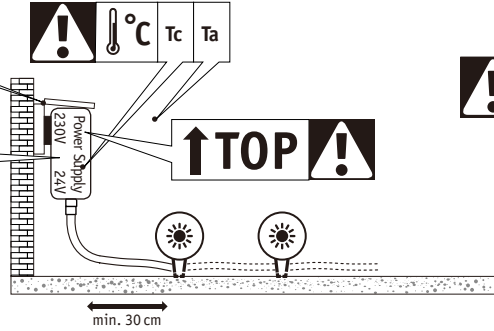
$\geq IP44$

$^{\circ}C$ Tc Ta

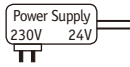
IP44

↑ TOP

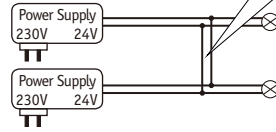
Safety Instructions
Nr. 5 off



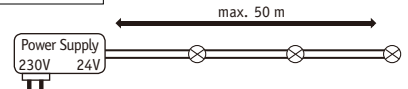
		24V-AC LED
		24V-DC LED



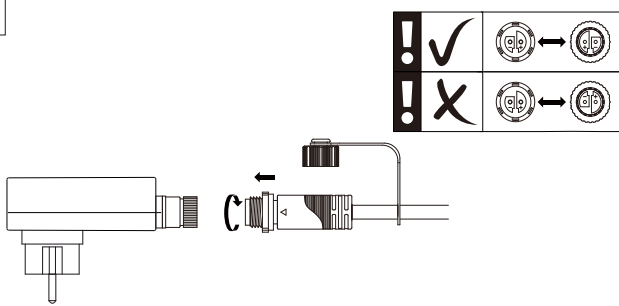
Nr. 11



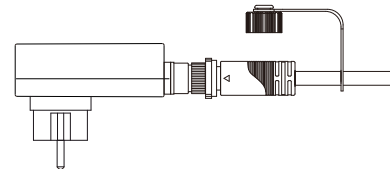
Power Supply 21W
Art.-Nr.: 988.48



B1 B2



B1 B2



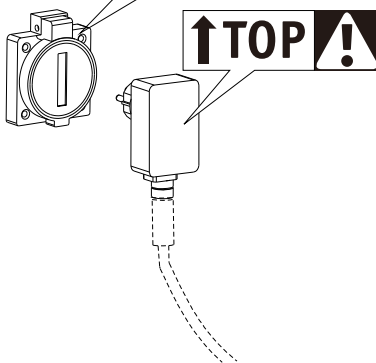
C1 C2 C3

Safety Instructions
Nr. 5 off

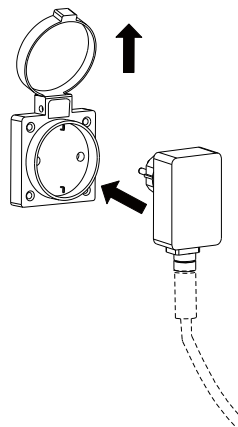
		< IP44
		$\geq IP44$

off

↑ TOP



C1 C2 C3



C1 C2 C3

