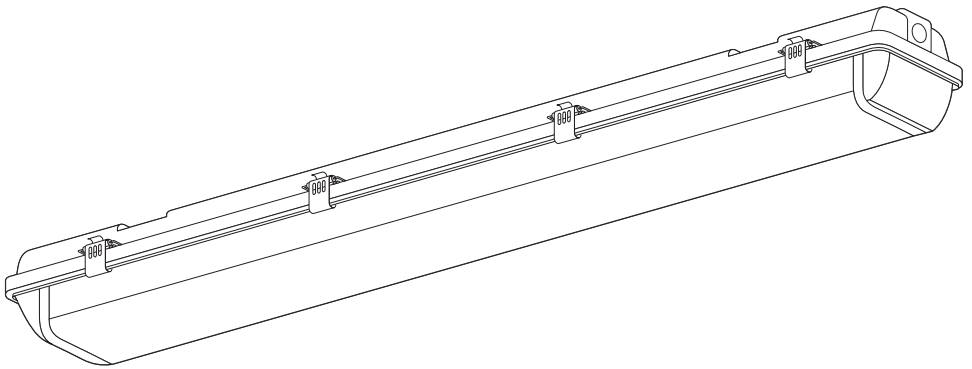
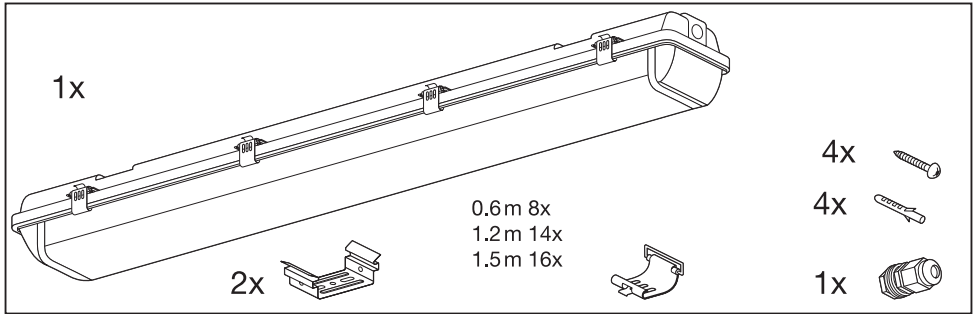

SUBMARINE®
LED

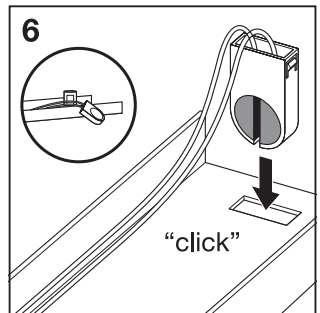
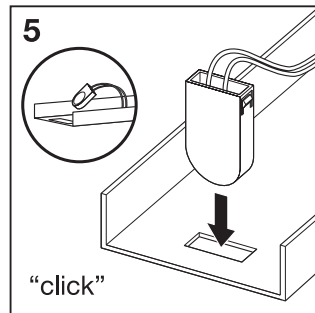
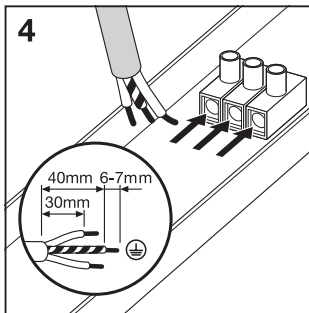
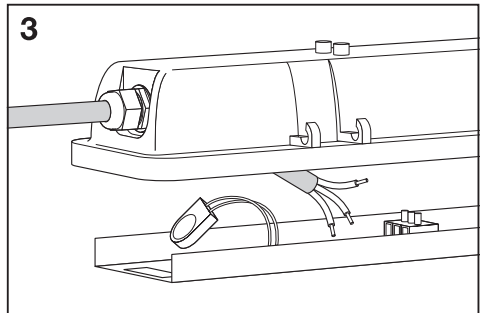
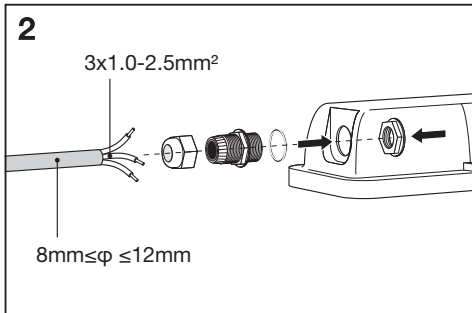
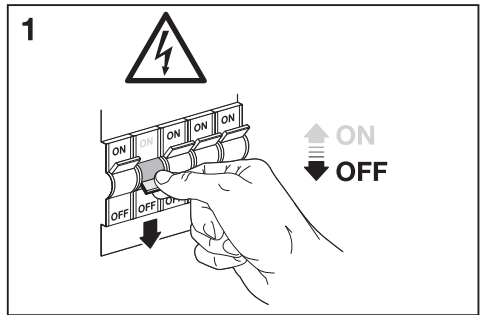


	EAN	W	lm	K	IP	°C	V _{ac}	mA	Hz	PF	👤
SUBMARINE® LED 1x8W 840 60	4058075303928	8	720	4000	65	-20...+35	220-240	35	50/60	>0.9	0.7 kg
SUBMARINE® LED 1x16W 840 120	4058075303942	16	1550	4000	65	-20...+35	220-240	75	50/60	>0.9	1.3 kg
SUBMARINE® LED 1x19W 840 150	4058075303966	19	1800	4000	65	-20...+35	220-240	88	50/60	>0.9	1.6 kg
SUBMARINE® LED 2x8W 840 60	4058075303980	16	1400	4000	65	-20...+30	220-240	70	50/60	>0.9	1.2 kg
SUBMARINE® LED 2x16W 840 120	4058075304000	32	3000	4000	65	-20...+30	220-240	150	50/60	>0.9	1.8 kg
SUBMARINE® LED 2x19W 840 150	4058075304024	38	3500	4000	65	-20...+30	220-240	176	50/60	>0.9	2.5 kg



mm

	L	W	H
SUBMARINE® LED 1x8W	651	69	70
SUBMARINE® LED 1x16W	1261	69	70
SUBMARINE® LED 1x19W	1561	69	70
SUBMARINE® LED 2x8W	651	107	70
SUBMARINE® LED 2x16W	1261	107	70
SUBMARINE® LED 2x19W	1561	107	70



7

	X (mm)	Y (mm)
SUBMARINE® LED 1x8W	254 +/-35	24 +/- 2
SUBMARINE® LED 1x16W	859 +/-35	24 +/- 2
SUBMARINE® LED 1x19W	1134 +/-35	24 +/- 2
SUBMARINE® LED 2x8W	254 +/-35	44 +/- 2
SUBMARINE® LED 2x16W	859 +/-35	44 +/- 2
SUBMARINE® LED 2x19W	1134 +/-35	44 +/- 2

8

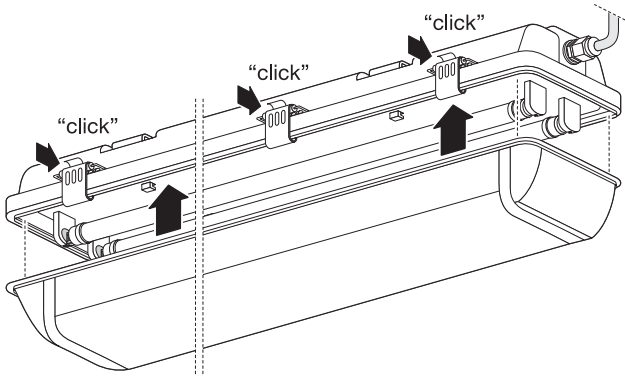
9

10

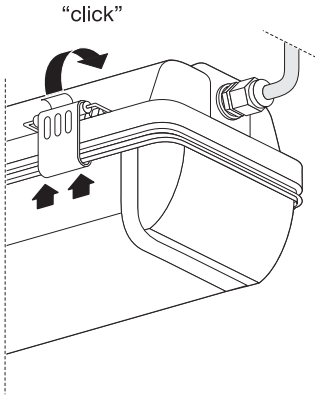
T8 (18W, 36W, 58W)
G13 LED only

220-240V / 50/60Hz	
SUBMARINE® LED 1x8W	1xST8SP-0.6m-8 W-8xx-EM(SubstiTUBE® STAR 0.6)
SUBMARINE® LED 1x16W	1xST8SP-1.2m-16 W-8xx-EM(SubstiTUBE® STAR 1.2)
SUBMARINE® LED 1x19W	1xST8SP-1.5m-19 W-8xx-EM(SubstiTUBE® STAR 1.5)
SUBMARINE® LED 2x8W	1xST8SP-0.6m-8 W-8xx-EM(SubstiTUBE® STAR 0.6)
SUBMARINE® LED 2x16W	1xST8SP-1.2m-16 W-8xx-EM(SubstiTUBE® STAR 1.2)
SUBMARINE® LED 2x19W	1xST8SP-1.5m-19 W-8xx-EM(SubstiTUBE® STAR 1.5)

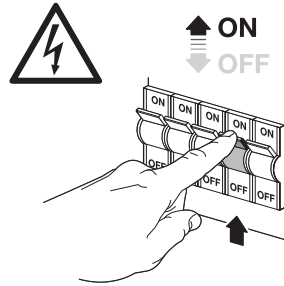
11



12



13



IP65



RoHS

C10449057
 G11077191V3
 28.05.2019



LEDVANCE GmbH
 Steinerne Furt 62
 86167 Augsburg, Germany
www.ledvance.com