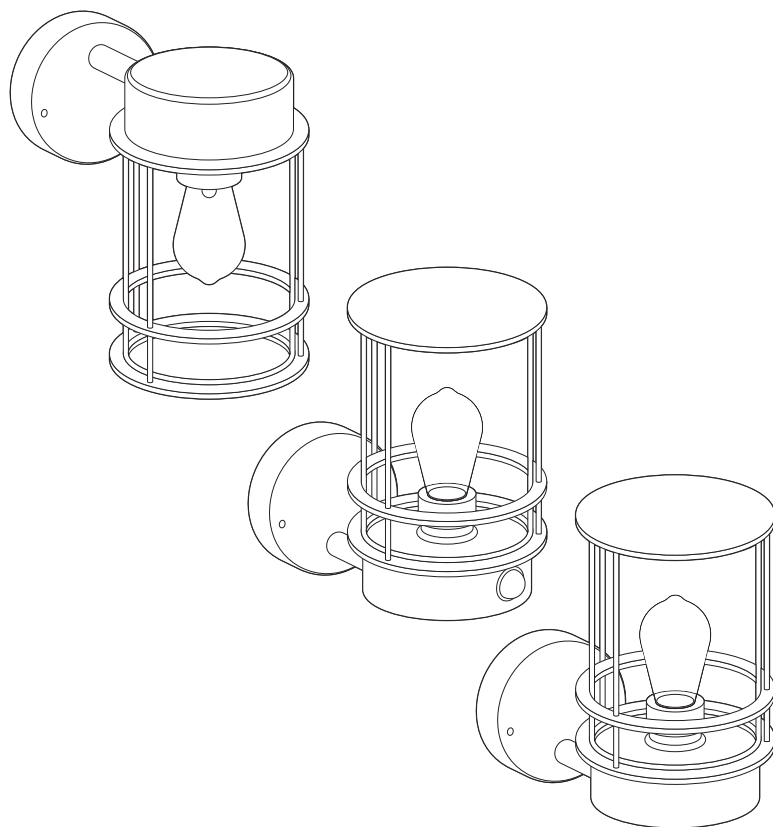
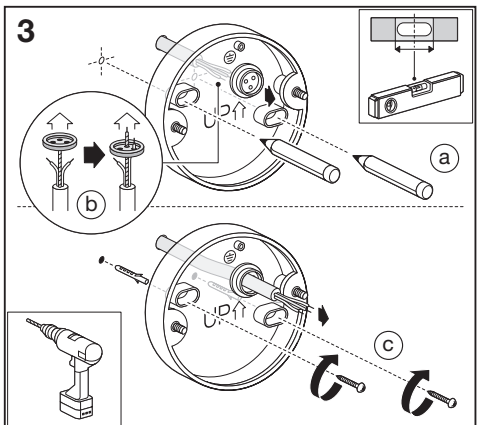
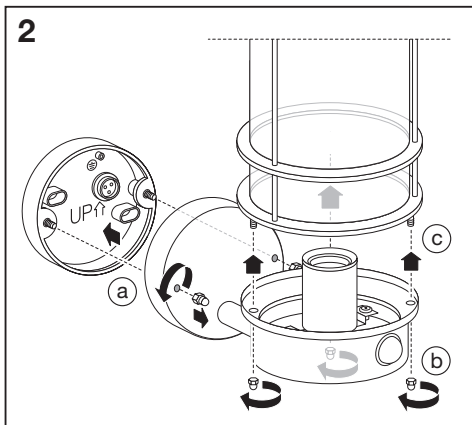
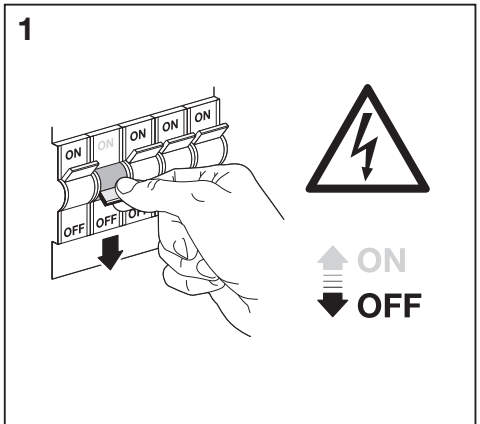
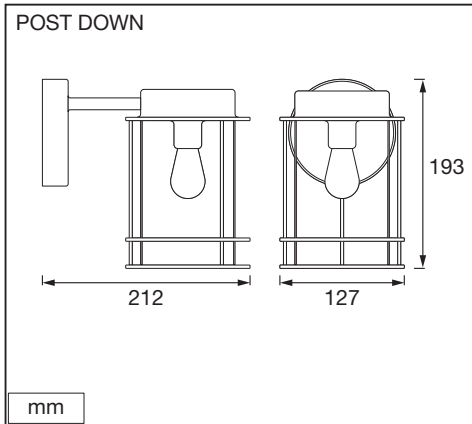
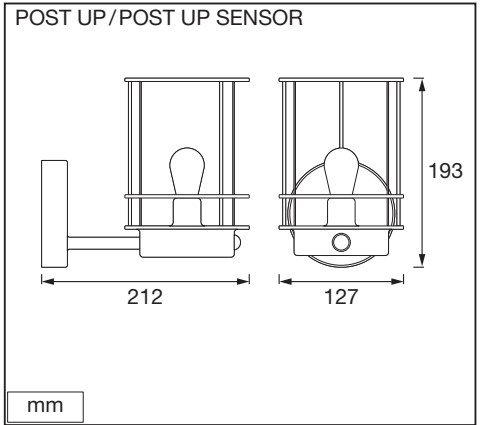
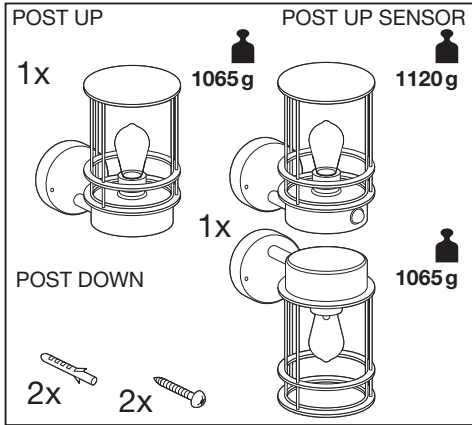
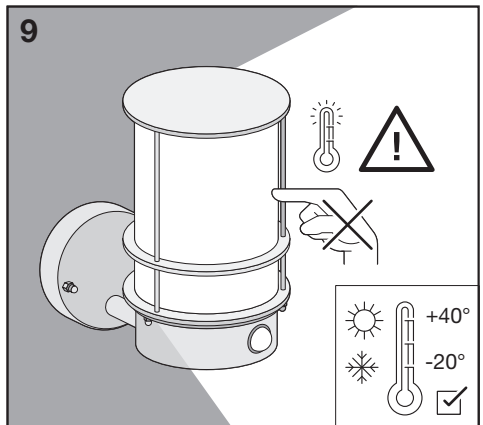
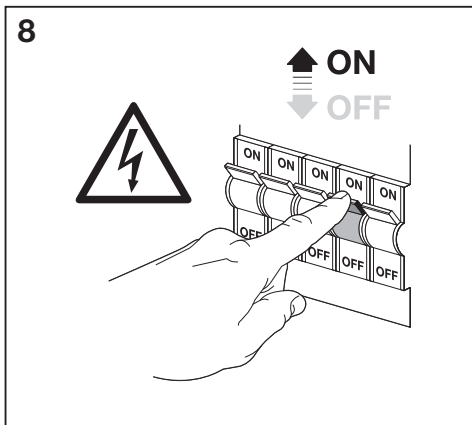
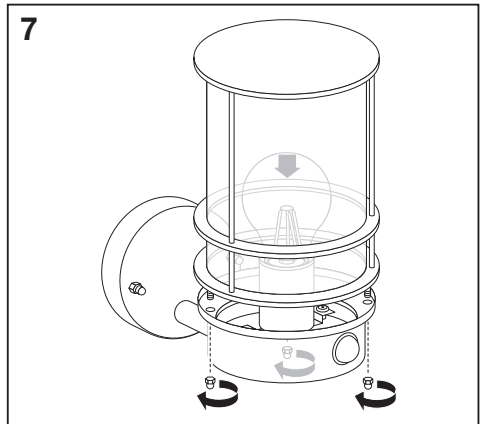
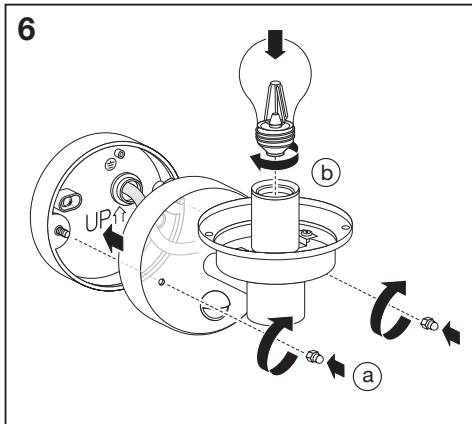
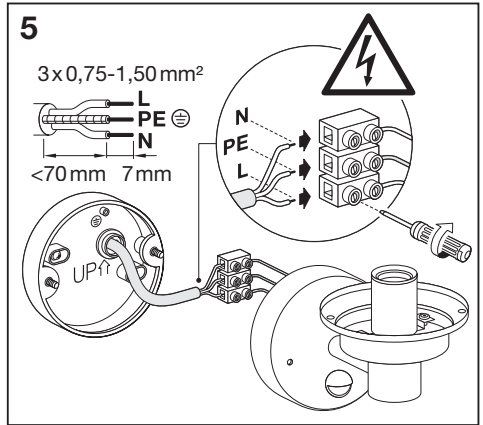
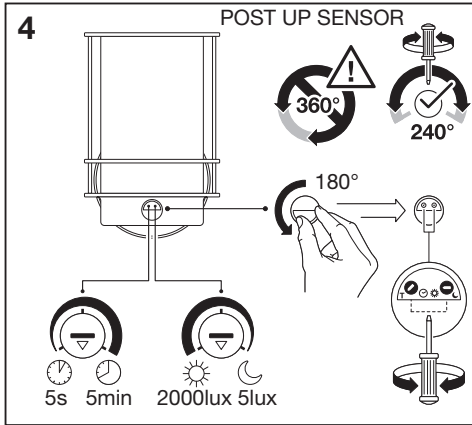

**ENDURA® CLASSIC
POST**



	EAN	W max.	Δ (°C)	V~	Hz
ENDURA® CLASSIC POST UP E27 ST	4058075206502	60 W	-20...+40	220-240	50/60
ENDURA® CLASSIC POST UP SENSOR E27 ST	4058075206540	60 W	-20...+40	220-240	50/60
ENDURA® CLASSIC POST DOWN E27 ST	4058075206526	60 W	-20...+40	220-240	50/60





CE EAC      IP44 RoHS

C10449057
G11102017
07.08.2020



LEDVANCE GmbH
Steinerne Furt 62
86167 Augsburg, Germany
www.ledvance.com